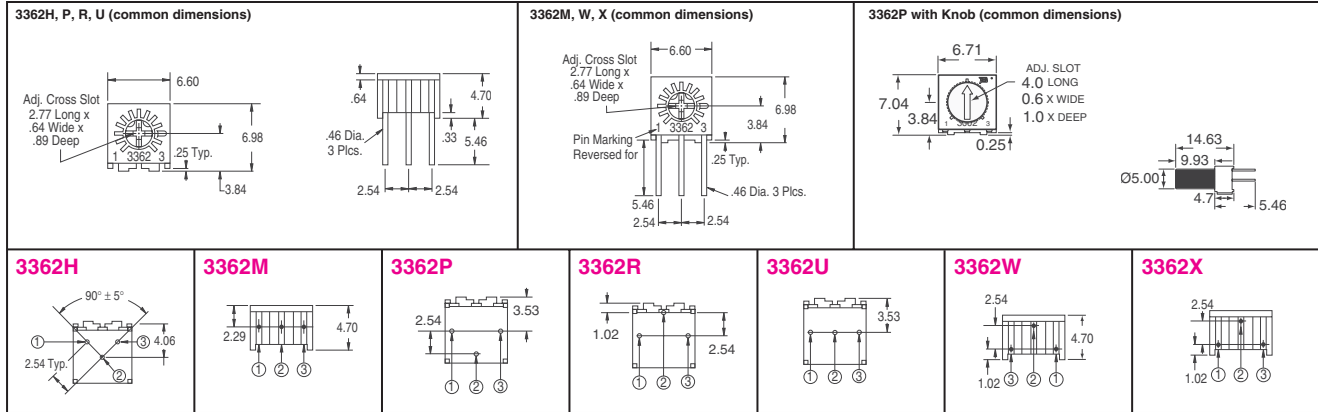
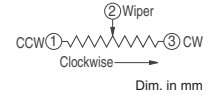




Trimmer Potentiometers

SERIES 3362 — 1/4" (6.35mm) Square/Single-Turn Cermet/Industrial/Sealed



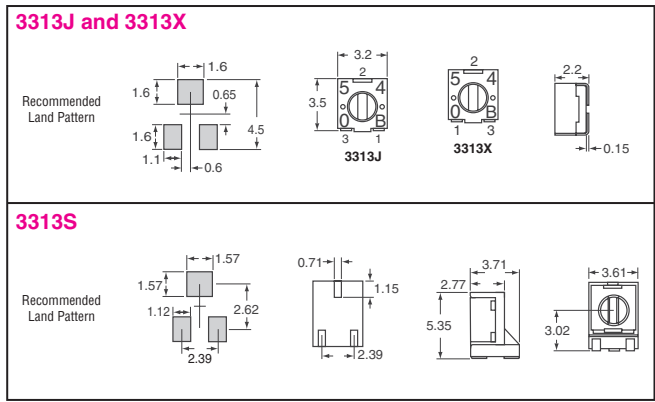
Res. (Ω)	Digi-Key Part No.	Digi-Key Part No.	Digi-Key Part No.	Digi-Key Part No.	Digi-Key Part No.	Digi-Key Part No.	Digi-Key Part No.	Digi-Key Part No.
100	3362H-101LF-ND	3362M-101LF-ND	3362P-101-ND	—	3362R-101-ND	3362U-101-ND	3362W-101-ND	3362X-101LF-ND
200	3362H-201LF-ND	3362M-201-ND	3362P-201-ND	3362R-201-ND	3362U-201LF-ND	3362W-201LF-ND	3362X-201LF-ND	—
500	3362H-501LF-ND	3362M-501-ND	3362P-501-ND	3362R-501LF-ND	3362U-501-ND	3362W-501LF-ND	3362X-501LF-ND	—
1K	3362H-102LF-ND	3362M-102-ND	3362P-102LF-ND	3362R-102LF-ND	3362U-102-ND	3362W-102LF-ND	3362X-102-ND	—
2K	3362H-202-ND	3362M-202LF-ND	3362P-202LF-ND	3362R-202LF-ND	3362U-202-ND	3362W-202LF-ND	3362X-202LF-ND	3362P-202TLF-ND
5K	3362H-502LF-ND	3362M-502LF-ND	3362P-502LF-ND	3362R-502LF-ND	3362U-502-ND	3362W-502LF-ND	3362X-502LF-ND	3362P-502TLF-ND
10K	3362H-103LF-ND	3362M-103LF-ND	3362P-103LF-ND	3362R-103LF-ND	3362U-103LF-ND	3362W-103-ND	3362X-103LF-ND	3362P-103TLF-ND
20K	3362H-203LF-ND	3362M-203-ND	3362P-203LF-ND	3362R-203LF-ND	3362U-203LF-ND	3362W-203LF-ND	3362X-203-ND	3362P-203TLF-ND
25K	3362H-253LF-ND	3362M-253LF-ND	3362P-253LF-ND	3362R-253-ND	3362U-253LF-ND	3362W-253LF-ND	3362X-253LF-ND	—
50K	3362H-503LF-ND	3362M-503LF-ND	3362P-503LF-ND	3362R-503LF-ND	3362U-503-ND	3362W-503LF-ND	—	3362P-503TLF-ND
100K	3362H-104LF-ND	3362M-104LF-ND	3362P-104LF-ND	3362R-104LF-ND	3362U-104LF-ND	3362W-104LF-ND	3362X-104LF-ND	—
200K	3362H-204LF-ND	—	3362P-204LF-ND	3362R-204LF-ND	3362U-204LF-ND	3362W-204LF-ND	3362X-204-ND	—
500K	3362H-504LF-ND	3362M-504LF-ND	3362P-504LF-ND	3362R-504LF-ND	3362U-504-ND	3362W-504-ND	3362X-504-ND	—
1M	3362H-105-ND	3362M-105-ND	3362P-105LF-ND	3362R-105-ND	3362U-105LF-ND	3362W-105-ND	3362X-105LF-ND	—

Features: • Miniature package • Rotor designed for automatic machine adjust interface • Multi-wire wiper to minimize CRV • Withstands harsh environments and immersion cleaning process
Characteristics: • Resistance Tolerance: ±10% standard • Insulation Resistance: 500VDC 1,000MΩ minimum • Adjustment Angle: 240° nominal • Power Rating (300V max.): 70°C = 0.5W; 125°C = 0W
 • Temperature Range: -55°C - 125°C • Temperature Coefficient: ±100ppm/°C • Load Life: 1,000 hours 0.5W @ 70°C (3% ΔTR; CRV, 3% or 3Ω whichever is greater) • Rotational Life: 200 cycles (4% ΔTR; CRV, 3% or 3Ω, whichever is greater) • Mechanical Angle: 270° nominal • Torque: 3.0 oz-inch maximum • Stop Strength: 7.0 oz-inch minimum

Series	Pricing		
	1	10	50
3362H / 3362M / 3362P / 3362R / 3362U / 3362W / 3362X	.83	7.50	36.75
3362P (with Knob)	1.51	13.75	59.13

♦ RoHS Compliant † For RoHS Compliant Part Number change -ND to LF-ND

SERIES 3313 — 3mm Trimming Potentiometer



Feature: • Surface Mount 3mm Square Single-Turn Cermet/Sealed
Characteristics: • Resistance Tolerance: ±20% standard • End Resistance: 1% or 3Ω maximum (whichever is greater) • Contact Resistance Variation: 3% or 3Ω • Insulation Resistance: 500VDC, 100MΩ minimum • Adjustment Angle: 220° nominal • Dielectric Strength: Sea level: 500VAC; 70,000 Feet: 350VAC • Power Rating (200V max.): 70°C = 0.125W; 125°C = 0W • Temperature Range: -55°C - 125°C • Temperature Coefficient: ≤100Ω ±150ppm/°C; >100Ω ±100ppm/°C

Resolution (Ω)	Digi-Key Part No.	Digi-Key Part No.	Digi-Key Part No.
10	3313J-1-100E□□-ND NEW!	3313S-1-100E□□-ND NEW!	—
20	3313J-1-200E□□-ND NEW!	3313S-1-200E□□-ND NEW!	—
50	3313J-1-500E□□-ND NEW!	3313S-1-500E□□-ND NEW!	—
100	3313J-101E□□-ND	3313S-1-101E□□-ND NEW!	—
200	3313J-201E□□-ND	3313S-1-201E□□-ND NEW!	—
500	3313J-501E□□-ND	3313S-1-501E□□-ND NEW!	—
1K	3313J-102E□□-ND	3313S-102E□□-ND	—
2K	3313J-202E□□-ND	3313S-1-202E□□-ND NEW!	—
5K	3313J-502E□□-ND	3313S-1-502E□□-ND NEW!	3313X-502E□□-ND
10K	3313J-103E□□-ND	3313S-103E□□-ND	3313X-103E□□-ND
20K	3313J-203E□□-ND	3313S-203E□□-ND	3313X-203E□□-ND
50K	3313J-503E□□-ND	3313S-1-503E□□-ND NEW!	3313X-503E□□-ND
100K	3313J-104E□□-ND	3313S-1-104E□□-ND NEW!	—
200K	3313J-1-204E□□-ND NEW!	3313S-1-204E□□-ND NEW!	—
500K	3313J-1-504E□□-ND NEW!	3313S-1-504E□□-ND NEW!	—
1MEG	3313J-1-105E□□-ND NEW!	3313S-105E□□-ND	—
2MEG	3313J-1-205E□□-ND NEW!	3313S-1-205E□□-ND NEW!	—

Series	Part No.	Cut Tape Pricing			Part No.	Tape and Reel Pricing	
		1	10	100		200	1,000
3313J/3313J-1	Add "CT"-ND	1.80	15.00	138.00	Add "TR"-ND	—	900.00
3313S/3313S-1	Add "CT"-ND	1.98	16.50	151.80	Add "TR"-ND	244.20	—
3313X	Add "CT"-ND	1.86	15.50	142.60	Add "TR"-ND	—	992.00

♦RoHS Compliant

Digi-Reel® Most SMT cutdown parts are available on a Digi-Reel®. For Digi-Reel part number, change 1-ND to 6-ND or CT-ND to DKR-ND. See Digi-Key® Services on page 2 for additional information.

More Product Available Online: www.digkey.com

Toll-Free: 1-800-344-4539 • Phone 218-681-6674 • Fax: 218-681-3380