



E

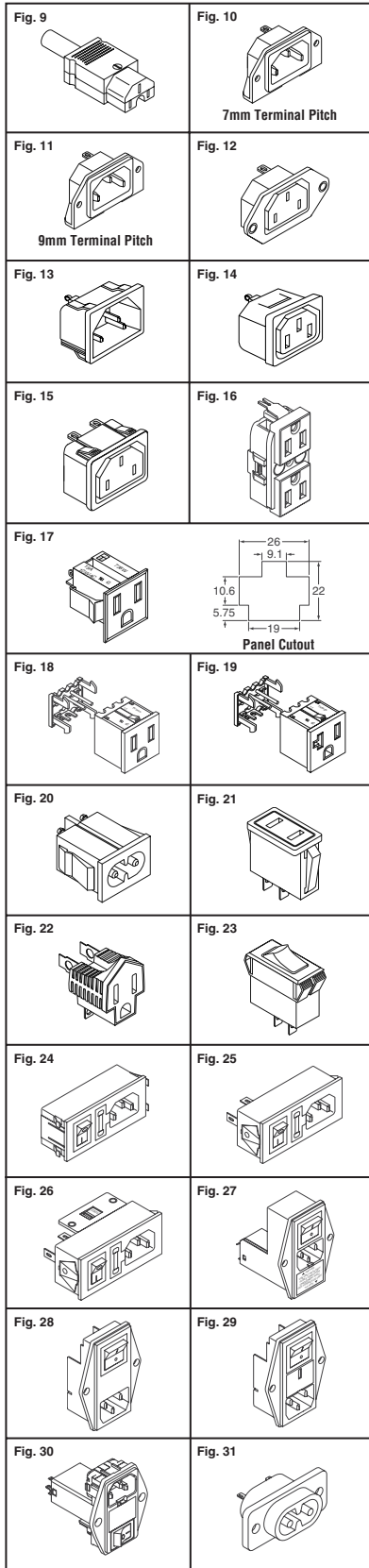


Fig.	Description	Mount Type	Panel Cutout H x W (mm)	Contact Type	Digi-Key Part No.	Price Each 1	10	100	Qualtek Part No.
Angled Inlet PCB Mount									
10	AC Receptacle, Right Angle, Male	Screw	23.3 x 31.1	Round PC Terminals	Q218-ND	.97	.88	.71	703W-00/52
	AC Receptacle, Right Angle, Male	Screw	23.3 x 31.1	Flat PC Terminals	Q219-ND	.97	.88	.71	703W-00/53
11	AC Receptacle, Right Angle, Male	Screw	23.3 x 31.1	Flat PC Terminals	Q220-ND	.97	.88	.71	703W-00/54
AC Power Inlets IEC 320									
3	AC Receptacle, Straight, Male (front or rear mt.)	Screw	19.8 x 27.4 ffr. or 22.8 x 30.8 rear mount	.187" (4.75mm) Fast-On	Q335-ND	.92	.84	.67	703W-00/07
	AC Receptacle, Straight, Male (front or rear mt.)	Screw		.250" (6.35mm) Fast-On	Q336-ND	.92	.84	.67	703W-00/08
3	AC Receptacle, Straight, Male (front or rear mt.)	Screw	20.0 x 28 ffr. or 22.5 x 30.3 rear mount	Solder Tab	Q334-ND	.92	.84	.67	703W-00/06
12	AC Receptacle, Straight, Female	Screw	25.0 x 32.5	Solder Tab	Q221-ND	1.13	1.02	.82	710W-00/01
	AC Receptacle, Straight, Female	Screw	25.0 x 32.5	.187" (4.75mm) Fast-On	Q222-ND	1.13	1.02	.82	710W-00/02
	AC Receptacle, Straight, Female	Screw	25.0 x 32.5	.248" (6.35mm) Fast-On	Q223-ND	1.13	1.02	.82	710W-00/03
13	AC Receptacle, Straight, Male, .031" (0.8mm)	Snap-In	27.0 x 20.5	Solder Tab	Q207-ND	.82	.74	.60	701W-X2/02
	AC Receptacle, Straight, Male, .031" (0.8mm)	Snap-In	27.0 x 20.5	.187" (4.75mm) Fast-On	Q208-ND	.82	.74	.60	701W-X2/03
	AC Receptacle, Straight, Male, .031" (0.8mm)	Snap-In	27.0 x 20.5	.248" (6.35mm) Fast-On	Q209-ND	.82	.74	.60	701W-X2/04
13	Power Receptacle, .059" (1.5mm), Male	Snap-In	27.2 x 19.7	Solder Tab	Q256-ND	.82	.74	.60	701W-15/21
	Power Receptacle, .059" (1.5mm), Male	Snap-In	27.2 x 19.7	.187" (4.7mm) Fast-On/Solder Tab	Q257-ND	.82	.74	.60	701W-15/26
	Power Receptacle, .059" (1.5mm), Male	Snap-In	27.2 x 19.7	.250" (6.35mm) Fast-On	Q258-ND	.82	.74	.60	701W-15/31
14	Power Receptacle, .059" (1.5mm), Female	Snap-In	25.3 x 32.6	Solder Tab	Q259-ND	1.18	1.07	.86	716W-15/05
	Power Receptacle, .059" (1.5mm), Female	Snap-In	25.3 x 32.6	.187" (4.7mm) Fast-On/Solder Tab	Q260-ND	1.18	1.07	.86	716W-15/10
	Power Receptacle, .059" (1.5mm), Female	Snap-In	25.3 x 32.6	.250" (6.35mm) Fast-On	Q261-ND	1.18	1.07	.86	716W-15/15
15	AC Recept., Straight, Female, .031" (0.8mm)	Snap-In	25.3 x 32.6	Solder Tab	Q224-ND	.87	.79	.64	716W-X2/01
	AC Recept., Straight, Female, .031" (0.8mm)	Snap-In	25.3 x 32.6	.187" (4.75mm) Fast-On	Q225-ND	.87	.79	.64	716W-X2/02
	AC Recept., Straight, Female, .031" (0.8mm)	Snap-In	25.3 x 32.6	.248" (6.35mm) Fast-On	Q226-ND	.87	.79	.64	716W-X2/03
NEMA 5-15R Power Outlets									
16	AC Receptacle, Dual, Female	Screw Panel	(2) 28.5 x 27.5	Spring Contact	Q339-ND	1.23	1.11	.90	740W-D/02
17	AC Receptacle, Straight, Female, .031" (0.8mm)	Snap-In	See Drawing	.187" (4.75mm) Fast-On	Q227-ND	.85	.77	.62	738W-X2/03
	AC Receptacle, Straight, Female, .031" (0.8mm)	Snap-In		.187" (4.75mm) Fast-On	Q337-ND	.85	.77	.62	738W-X2/01
18	AC Receptacle, Straight, Female, .031" (0.8mm)	Snap-In	24.6 x 24.6	IDC Crimp Terminals	Q228-ND	.84	.76	.61	739W-X2/03
	AC Receptacle, Straight, Female, .031" (0.8mm)	Snap-In	24.5 x 24.5	IDC Crimp Terminals	Q338-ND	1.08	.98	.79	739W-X2/04
NEMA 5-20P Power Outlets									
19	AC Receptacle, Straight, Female, .031" (0.8mm)	Snap-In	24.5 x 24.5	IDC Crimp Terminals	Q282-ND	1.18	1.07	.86	739W-X2/20
Power Receptacles									
20	Power Receptacle	Screw	12.4 x 21.0	Solder Tab	Q269-ND	.61	.56	.45	770W-X2/03
	Power Receptacle	Panel	12.4 x 21.0	Right Angle, PCB Pins	Q273-ND	.61	.56	.45	770W-X2/10
	Power Receptacle	Snap-In	12.5 x 24.5	PCB Pins	Q277-ND	.87	.79	.64	771W-X2/02
21	Power Receptacle, 2 Conductors	Snap-In	12.4 x 22.1	4.8mm Tab	Q281-ND	.77	.70	.56	738W-CX2-01
AC Adapter									
22	AC Adapter 3 Prong/2 Prong	—	—	Wall Plug	Q280-ND	.86	.78	.63	738W-E-01
Circuit Breaker Switch									
23	Illuminated, Black Body with Red Actuator, 15 Amp	Panel	14.0 x 28.5	Solder Tab	Q278-ND	2.15	1.95	1.57	736W-B/101
23	Non-Illuminated, Black Body with Red Actuator, 15 Amp	Panel	14.0 x 28.5	Solder Tab	Q279-ND	1.89	1.71	1.38	736W-B/102
Multi-Function Modules with Switch									
24	Male, Plastic Housing, SPST, Single Fuse 5x20	Snap-In	66.0 x 27.0	Solder Tab	Q300-ND	8.68	6.21	5.15	761-18/003
	Male, Plastic Housing, DPST, Single Fuse 5x20	Snap-In	66.0 x 26.9	Solder Tab	Q301-ND	11.98	8.56	7.11	761-18/004
25	Male, Metal Housing, SPST, Single Fuse 5x20	Snap-In	66.0 x 27.0	.250" Fast-On	Q302-ND	11.56	8.26	6.86	762-18/002
	Male, Metal Housing, DPST, Single Fuse 5x20	Snap-In	66.0 x 27.0	.250" Fast-On	Q303-ND	18.07	12.91	10.72	762-18/003
26	Male, Metal Housing, SPST, Single Fuse 5x20	Snap-In	66.0 x 27.0	.250" Fast-On	Q304-ND	18.07	12.91	10.72	762-18/004
	Male, Metal Housing, DPST, Single Fuse 5x20	Snap-In	66.0 x 27.0	.250" Fast-On	Q305-ND	21.82	15.59	12.94	762-18/005
27	Male, Plastic Housing, DPST, 5x20 or 6.3x32mm Fuseholder	Screw	58.9 x 27.5	Solder Tab	Q306-ND	9.39	6.71	5.57	763-00/001
28	Male, Plastic Housing, DPST, Double 5x20	Screw	72.4 x 27.9	Solder Tab	Q307-ND	10.81	7.72	6.41	764-00/002
29	Male, Plastic Housing, DPST, Double 5x20	Screw	72.4 x 27.9	Solder Tab	Q308-ND	12.46	8.90	7.39	764-00/003
30	Male, Plastic Housing, DPST	Screw	55.9 x 28.5	Solder Tab	Q340-ND	10.08	9.11	7.32	765-00/001
Low Power Inlets									
31	Male, Thermoplastic Housing	Screw	21.0 x 12.4	Solder Tab	Q309-ND	.77	.70	.56	770W-00/01
32	Male, Thermoplastic Housing	Screw	24.5 x 12.5	Solder Tab	Q310-ND	1.40	1.27	1.02	771W-AX2/01
33	Male, Thermoplastic Housing	Panel	24.5 x 12.5	Solder Tab	Q311-ND	1.08	.98	.79	771W-BX2/01
34	Male, Thermoplastic Housing	Panel	24.5 x 12.5	Solder Tab	Q312-ND	1.24	1.12	.90	771W-CX2/01
EMI Multi-Purpose Filters									
35	3A EMI Power Line Filter	Flange	—	Fast-On	Q449-ND	13.15	9.40	7.80	848-03/001
	6A EMI Power Line Filter	Flange	—	Fast-On	Q450-ND	18.33	13.10	10.87	848-06/002
	10A EMI Power Line Filter	Flange	—	Fast-On	Q451-ND	18.33	13.10	10.87	848-10/003
	3A EMI Power Line Filter	Flange	—	Fast-On	Q425-ND	14.10	10.08	8.36	849-03/001
	6A EMI Power Line Filter	Flange	—	Fast-On	Q426-ND	18.97	13.56	11.25	849-06/002
	10A EMI Power Line Filter	Flange	—	Fast-On	Q427-ND	18.97	13.56	11.25	849-10/003

(Continued)

More Product Available Online: www.digikey.com