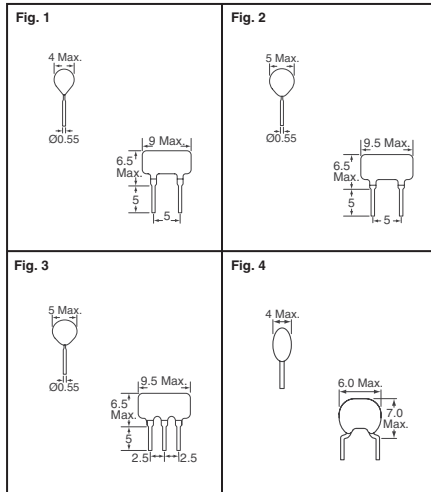


TDK Ceramic Resonators - Leaded



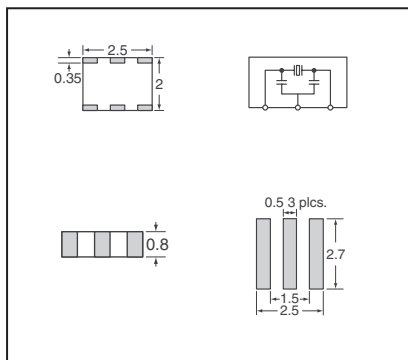
Features: • The FCR series provide a high degree of stability between the quartz oscillator and the LC or RC oscillating circuits. Temperature characteristics: -20°C ~ 85°C
Specifications: • Frequency Tolerance: ±0.5% • Operating Temperature: -40°C ~ 85°C

Fig.	Frequency (MHz)	Digi-Key Part No.	Cut Tape Pricing			Digi-Key Part No.	Tape & Reel Pricing 1,500	TDK Part No.
			1	10	100			
FCR Series								
1	16.00	445-1646-ND*	.39	3.24	25.13	—	—	FCR16.0M2G
	4.00	445-1642-ND*	.30	2.51	19.50	—	—	FCR4.0M5
	4.19	445-1643-ND*	.30	2.51	19.50	—	—	FCR4.19M5
	6.00	445-1644-ND*	.30	2.51	19.50	—	—	FCR6.0M5
2	8.00	445-1645-ND*	.31	2.56	19.87	—	—	FCR8.0M5
	4.00	445-1638-ND*	.31	2.56	19.87	—	—	FCR4.0MC5
	4.19	445-1639-ND*	.31	2.56	19.87	—	—	FCR4.19MC5
	6.00	445-1640-ND*	.31	2.56	19.87	—	—	FCR6.0MC5
3	8.00	445-1641-ND*	.33	2.71	21.00	—	—	FCR8.0MC5
	16.00	445-2568-1-ND	.34	3.08	25.63	445-2568-2-ND	171.00/M	FCR16.0M6T
	18.00	445-2569-1-ND	.34	3.08	25.63	445-2569-2-ND	171.00/M	FCR18.0M6T
	18.43	445-2570-1-ND	.34	3.08	25.63	—	—	FCR18.43M6T
4	24.00	445-2571-1-ND	.34	3.08	25.63	445-2571-3-ND†	171.00/M	FCR24.0M6T
	25.00	445-2572-1-ND	.34	3.08	25.63	—	—	FCR25.0M6T

* Bulk Packaging † Tape and Box Packaging

D

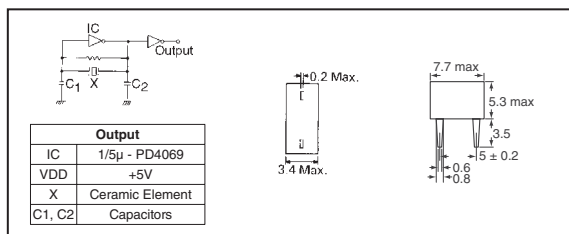
Ceramic Resonators - Surface Mount



Features:
 • The CCR Series are thin type ceramic chip resonators. 3rd overtone thickness mode elements are used for the 16.93 ~ 50MHz band.
 • Built-in load capacitance
Specifications:
 • Frequency Tolerance: ±0.5% • Operating Temperature: -40°C ~ 85°C

Frequency (MHz)	Digi-Key Part No.	Cut Tape Price Each			Digi-Key Part No.	Tape & Reel Pricing 2,000	TDK Part No.
		1	10	100			
CCR Series							
16.93	445-1648-1-ND	.63	.55	.43	445-1648-2-ND	294.58/M	CCR16.93MXC7T
20.00	445-1649-1-ND	.63	.55	.43	445-1649-2-ND	294.58/M	CCR20.0MXC7T
25.00	445-1650-1-ND	.63	.55	.43	445-1650-2-ND	294.58/M	CCR25.0MXC7T
30.00	445-1651-1-ND	.60	.52	.40	445-1651-2-ND	280.00/M	CCR30.0MXC7T
33.86	445-1652-1-ND	.60	.52	.40	445-1652-2-ND	280.00/M	CCR33.86MXC7T
48.00	445-1654-1-ND	1.09	.95	.73	445-1654-2-ND	507.50/M	CCR48.0MXC7A15T

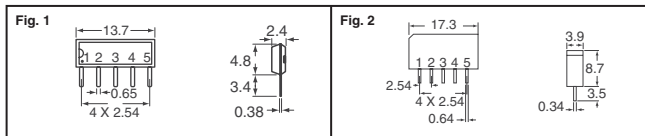
TOKO Ceramic Resonators - Surface Mount



Features:
 TOKO ceramic resonators utilize the piezoelectric principle converting a mechanical force (stress) into an electrical signal or converting an electrical signal into a mechanical force.
 The ceramic resonator is a thin section of piezoelectric ceramic material, such as quartz, whose sides are metallized into a corresponding pair of electrodes and upon the application of current produce a lengthwise vibration.

Oscillating Frequency	External Components	Digi-Key Part No.	Price Each			Toko Part No.
			1	10	100	
CRK Type						
400kHz ±1%	C1=560pF, C2=200pF	TK9940-ND	1.88	1.52	.94	BP11DCRK400

EPCOS SAW Bandpass Filters



Pin Configuration	
1	Input
2	Input - Ground
3	Chip Carrier - Ground
4	Output
5	Output

Fig.	Frequency (MHz)	Insertion Loss (dB)	Bandwidth (MHz)	Digi-Key Part No.	Price Each				Epcos Part No.
					1	25	50	100	
1	43.75	14.8	6	495-1952-5-ND	9.56	8.29	7.65	6.37	B39438X6964M100
				495-1953-5-ND	3.19	2.77	2.55	2.13	B39438X6964N201
2	44	14.7	6	495-1691-5-ND	9.56	8.29	7.65	6.37	B39440X6965N201
				495-1954-5-ND	16.88	14.63	13.50	11.25	B39440X6855M100
				495-1690-5-ND	8.04	6.98	6.44	5.37	B39440X6941N201
				16.2	8				

Digi-Reel® Most SMT cutdown parts are available on a Digi-Reel®. For Digi-Reel part number, change 1-ND to 6-ND or CT-ND to DKR-ND. See Digi-Key® Services on page 2 for additional information.

More Product Available Online: www.digkey.com