

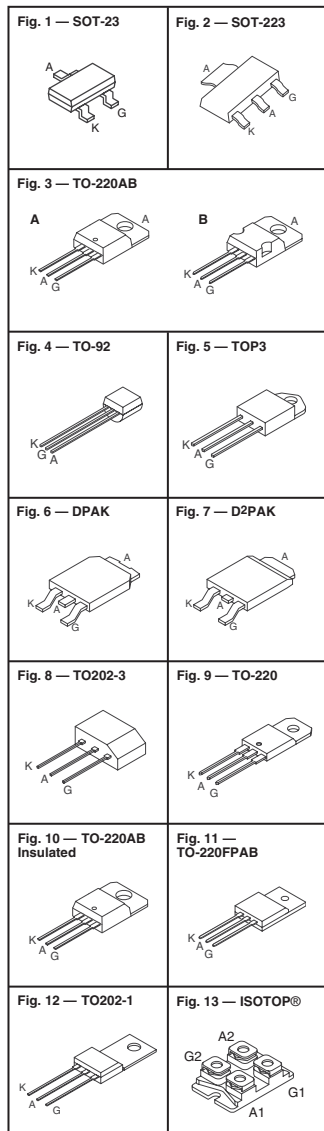
| Fig.  | VRRM (V) | IF      | Package Type   | Digi-Key Part No. | Pricing |        |        | Digi-Key Part No. | Tape and Reel |           | STMicroelectronics Part No. |
|-------|----------|---------|----------------|-------------------|---------|--------|--------|-------------------|---------------|-----------|-----------------------------|
|       |          |         |                |                   | 1       | 10     | 100    |                   | Qty.          | Pricing   |                             |
| 16A   | 200      | 2 x 15A | Isolated TOP3  | 497-5278-5-ND◆    | 3.40    | 29.61  | 220.50 | —                 | —             | —         | STTH3002CPI                 |
|       | 200      | 2 x 30A | Isolated TOP3  | 497-5283-5-ND◆    | 6.08    | 52.88  | 393.75 | —                 | —             | —         | STTH6002CPI                 |
|       | 200      | 30A     | Isolated TOP3  | 497-3807-5-ND◆    | 6.10    | 55.65  | 439.90 | —                 | —             | —         | BYV52P1-200RG               |
| 16B   | 600      | 30A     | Isolated TOP3  | 497-4410-5-ND◆    | 5.75    | 52.50  | 415.00 | —                 | —             | —         | STTH3006TPI                 |
| 17    | 400      | 60A     | DO-247         | 497-5159-5-ND◆    | 3.48    | 30.32  | 225.75 | —                 | —             | —         | STTH6004W                   |
|       | 600      | 20A     | DO-247         | 497-6082-5-ND◆    | 2.88    | 24.00  | 201.60 | —                 | —             | —         | STTH2006W                   |
|       | 600      | 30A     | DO-247         | 497-5280-5-ND◆    | 3.40    | 29.61  | 220.50 | —                 | —             | —         | STTH3006W                   |
|       | 600      | 30A     | DO-247         | 497-4411-5-ND◆    | 2.52    | 21.00  | 176.40 | —                 | —             | —         | STTH30L06W                  |
|       | 600      | 30A     | DO-247         | 497-4413-5-ND◆    | 1.65    | 13.75  | 115.50 | —                 | —             | —         | STTH30R06W                  |
|       | 600      | 60A     | DO-247         | 497-3799-5-ND◆    | 4.16    | 36.19  | 269.50 | —                 | —             | —         | STTH60L06W                  |
|       | 1,000    | 30A     | DO-247         | 497-5154-5-ND◆    | 2.76    | 23.00  | 193.20 | —                 | —             | —         | STTH3010W                   |
|       | 1,000    | 60A     | DO-247         | 497-5160-5-ND◆    | 4.05    | 35.25  | 262.50 | —                 | —             | —         | STTH6010W                   |
|       | 1,200    | 15A     | DO-247         | 497-5152-5-ND◆    | 2.55    | 21.25  | 178.50 | —                 | —             | —         | STTH1512W                   |
|       | 1,200    | 30A     | DO-247         | 497-5156-5-ND◆    | 2.97    | 25.85  | 192.50 | —                 | —             | —         | STTH3012W                   |
| 1,200 | 60A      | DO-247  | 497-5161-5-ND◆ | 4.05              | 35.25   | 262.50 | —      | —                 | —             | STTH6012W |                             |
| 18    | 600      | 3A      | TO-220FPAB F5  | 497-4193-5-ND◆    | 1.46    | 12.68  | 97.50  | —                 | —             | —         | DMV1500LF5                  |
|       | 600      | 3A      | TO-220FPAB F5  | 497-4197-5-ND◆    | 1.65    | 14.30  | 110.00 | —                 | —             | —         | DMV1500MFD5                 |
| 19    | 600      | 6A      | TO-220FPAB FD6 | 497-4199-5-ND◆    | 1.65    | 14.30  | 110.00 | —                 | —             | —         | DMV1500SDFD6                |

◆ RoHS Compliant ‡ Cut Tape § Ammo Pack

**SCRs**

| Fig. | VDRM (V) | I <sub>T(RMS)</sub> (A) | I <sub>GT</sub> | Package        | Digi-Key Part No. | Price Each |       |       | Digi-Key Part No. | Tape and Reel |           | STMicroelectronics Part No. |
|------|----------|-------------------------|-----------------|----------------|-------------------|------------|-------|-------|-------------------|---------------|-----------|-----------------------------|
|      |          |                         |                 |                |                   | 1          | 10    | 100   |                   | Qty.          | Pricing   |                             |
| 1    | 200      | .25                     | 200µA           | SOT-23         | 497-2527-1-ND◆‡   | .86        | .69   | .52   | 497-2527-2-ND◆    | 3,000         | 271.00/M  | P0102BL 5AA4                |
| 2    | 400      | 0.8                     | 200mA           | SOT-23         | 497-2523-1-ND◆‡   | .72        | .58   | .44   | 497-2523-2-ND◆    | 1,000         | 248.00    | P0102DN 5AA4                |
|      | 600      | 0.8                     | 200mA           | SOT-23         | 497-4649-1-ND◆‡   | .86        | .69   | .52   | 497-4649-2-ND◆    | 1,000         | 295.00    | P0102MN 5AA4                |
|      | 600      | 0.8                     | 200mA           | SOT-23         | 497-5775-1-ND◆‡   | .74        | .60   | .45   | 497-5775-2-ND◆    | 1,000         | 256.00    | X00602MN5BA4                |
|      | 600      | 1.25                    | 200mA           | SOT-23         | 497-2532-1-ND◆‡   | .90        | .72   | .54   | 497-2532-2-ND◆    | 1,000         | 310.00    | X0202MN 5BA4                |
|      | 600      | 1.25                    | 200mA           | SOT-23         | 497-2532-1-ND◆‡   | .90        | .72   | .54   | 497-2532-2-ND◆    | 1,000         | 310.00    | X0202MN 5BA4                |
| 3A   | 200      | 8                       | 15mA            | TO-220AB       | 497-4483-5-ND◆    | 1.46       | 1.27  | .98   | —                 | —             | —         | TYN208RG                    |
|      | 200      | 25                      | 40mA            | TO-220AB       | 497-3279-5-ND     | 1.31       | 1.14  | .88   | —                 | —             | —         | TYN225RG                    |
|      | 400      | 8                       | 25mA            | TO-220AB       | 497-4484-5-ND◆    | 1.46       | 1.27  | .98   | —                 | —             | —         | TYN408GRG                   |
|      | 600      | 6                       | 15mA            | TO-220AB       | 497-4485-5-ND◆    | 1.13       | .98   | .75   | —                 | —             | —         | TYN606RG                    |
|      | 600      | 8                       | 200mA           | TO-220AB       | 497-2551-5-ND◆    | 1.43       | 1.24  | .95   | —                 | —             | —         | TS820-600T                  |
|      | 600      | 40                      | 35mA            | TO-220AB       | 497-2422-5-ND◆    | 2.55       | 2.13  | 1.79  | —                 | —             | —         | TYN640RG                    |
|      | 800      | 4                       | 15mA            | TO-220AB       | 497-4488-5-ND◆    | 1.46       | 1.27  | .98   | —                 | —             | —         | TYN804RG                    |
|      | 800      | 10                      | 15mA            | TO-220AB       | 497-4489-5-ND◆    | 1.46       | 1.27  | .98   | —                 | —             | —         | TYN810RG                    |
|      | 800      | 12                      | 15mA            | TO-220AB       | 497-4490-5-ND◆    | 1.46       | 1.27  | .98   | —                 | —             | —         | TYN812RG                    |
|      | 800      | 16                      | 25mA            | TO-220AB       | 497-4491-5-ND◆    | 1.50       | 1.30  | 1.00  | —                 | —             | —         | TYN816RG                    |
|      | 800      | 25                      | 40mA            | TO-220AB       | 497-3793-5-ND◆    | 2.81       | 2.45  | 1.82  | —                 | —             | —         | TYN825RG                    |
|      | 800      | 40                      | 35mA            | TO-220AB       | 497-3792-5-ND◆    | 3.78       | 3.29  | 2.45  | —                 | —             | —         | TYN840RG                    |
|      | 1000     | 6                       | 15mA            | TO-220AB       | 497-4481-5-ND◆    | 1.31       | 1.14  | .88   | —                 | —             | —         | TYN1006RG                   |
| 1000 | 8        | 15mA                    | TO-220AB        | 497-4482-5-ND◆ | 1.43              | 1.24       | .95   | —     | —                 | —             | TYN1008RG |                             |
| 3B   | 600      | 12                      | 5mA             | TO-220AB       | 497-4487-5-ND◆    | 1.46       | 1.27  | .98   | —                 | —             | —         | TYN612MRG                   |
| 4    | 400      | 0.8                     | 1mA             | TO-92          | 497-3713-1-ND◆‡   | .81        | .65   | .49   | 497-3713-2-ND◆    | 2,000         | 279.00/M  | P0115DA 5AL3                |
|      | 400      | 0.8                     | 5mA             | TO-92          | 497-6200-1-ND◆‡   | .60        | .48   | .36   | 497-6200-2-ND◆    | 2,000         | 192.00/M  | P0118DA 5AL3                |
|      | 400      | 0.8                     | 200µA           | TO-92          | 497-6199-1-ND◆‡   | .60        | .48   | .36   | 497-6199-2-ND◆    | 2,000         | 192.00/M  | P0102DA 5AL3                |
|      | 600      | 0.8                     | 200µA           | TO-92          | 497-3321-1-ND‡    | .68        | .54   | .41   | 497-3321-2-ND     | 2,000         | 213.75/M  | X00602MA 5AL2               |
|      | 600      | 0.8                     | 200µA           | TO-92          | 497-4504-1-ND◆‡   | .52        | .40   | .29   | 497-4504-3-ND◆§   | 2,000         | 144.00/M  | X00602MA 2AL2               |
|      | 600      | 0.8                     | 200µA           | TO-92          | 497-4281-ND◆      | .46        | .35   | .26   | —                 | —             | —         | P0102MA1AA3                 |
|      | 600      | 0.8                     | 25mA            | TO-92          | 497-4282-1-ND◆‡   | .46        | .35   | .26   | 497-4282-3-ND◆§   | 2,000         | 126.00/M  | P0111MA2AL3                 |
|      | 600      | 0.8                     | 25mA            | TO-92          | 497-4618-ND◆      | .42        | .33   | .24   | —                 | —             | —         | P0111MA 1AA3                |
|      | 600      | 0.8                     | 5mA             | TO-92          | 497-4283-1-ND◆‡   | .46        | .35   | .26   | 497-4283-2-ND◆    | 2,000         | 126.00/M  | P0118MA 5AL3                |
|      | 600      | 1.25                    | 200µA           | TO-92          | 497-2421-ND       | .65        | .52   | .39   | —                 | —             | —         | X020MA 1BA2                 |
| 5    | 200      | 30                      | 50mA            | TOP3           | 497-4185-5-ND◆    | 5.81       | 5.06  | 3.77  | —                 | —             | —         | BTW68-200RG                 |
|      | 200      | 50                      | 80mA            | TOP3           | 497-4186-5-ND◆    | 5.51       | 4.80  | 3.57  | —                 | —             | —         | BTW69-200RG                 |
|      | 600      | 30                      | 50mA            | TOP3           | 497-3804-5-ND◆    | 6.59       | 5.74  | 4.27  | —                 | —             | —         | BTW68-600RG                 |
|      | 800      | 30                      | 80mA            | TOP3           | 497-3805-5-ND◆    | 6.70       | 5.83  | 4.34  | —                 | —             | —         | BTW68-800RG                 |
|      | 1000     | 30                      | 50mA            | TOP3           | 497-4184-5-ND◆    | 5.81       | 5.06  | 3.77  | —                 | —             | —         | BTW68-1000RG                |
| 6    | 600      | 4                       | 200µA           | DPAK           | 497-3276-1-ND‡    | 1.39       | 1.21  | .93   | 497-3276-2-ND     | 2,500         | 492.10/M  | TS420-600B-TR               |
|      | 600      | 8                       | 2mA             | DPAK           | 497-5234-1-ND◆‡   | 1.09       | .95   | .73   | 497-5234-2-ND◆    | 2,500         | 385.70/M  | TS820-600B-TR               |
|      | 600      | 15                      | 15mA            | DPAK           | 497-5171-1-ND◆‡   | 1.09       | .95   | .73   | 497-5171-2-ND◆    | 2,500         | 385.70/M  | TN1515-600B-TR              |
|      | 800      | 8                       | 2mA             | DPAK           | 497-6159-1-ND◆‡   | 1.54       | 1.34  | 1.03  | 497-6159-2-ND◆    | 2,500         | 545.00/M  | TN815-800B-TR               |
| 7    | 800      | 25                      | 40mA            | D2PAK          | 497-6158-1-ND◆‡   | 2.70       | 2.25  | 1.89  | 497-6158-2-ND◆    | 1,000         | 1215.00   | TN2540-800G-TR              |
|      | 1000     | 16                      | 25mA            | D2PAK          | 497-3740-1-ND◆‡   | 1.95       | 1.63  | 1.37  | 497-3740-2-ND◆    | 1,000         | 878.00    | TN1625-1000G-TR             |
| 8    | 600      | 4                       | 200µA           | TO202-3        | 497-3322-ND◆      | 1.13       | .98   | .75   | —                 | —             | —         | X0402MF 1AA2                |
|      | 600      | 4                       | 200µA           | TO202-3        | 497-3322-5-ND◆    | .68        | .54   | .41   | —                 | —             | —         | X0402MF 0AA2                |
| 9    | 800      | 20                      | 25mA            | TO-220         | 497-3562-5-ND     | 2.31       | 1.93  | 1.62  | —                 | —             | —         | TXN692RG                    |
| 10   | 400      | 8                       | 25mA            | TO-220AB       | 497-4480-5-ND◆    | 1.58       | 1.37  | 1.05  | —                 | —             | —         | TXN408GRG                   |
|      | 600      | 12                      | 15mA            | TO-220AB       | 497-3561-5-ND     | 1.65       | 1.38  | 1.16  | —                 | —             | —         | TXN612RG                    |
|      | 1000     | 12                      | 15mA            | TO-220AB       | 497-4479-5-ND◆    | 2.25       | 1.88  | 1.58  | —                 | —             | —         | TXN1012RG                   |
| 11   | 600      | 12                      | 5mA             | TO-220FPAB     | 497-4486-5-ND◆    | 1.13       | .98   | .75   | —                 | —             | —         | TYN612MFP                   |
| 12   | 800      | 4                       | 200µA           | TO202-1        | 497-4506-ND◆      | .72        | .58   | .44   | —                 | —             | —         | X0402NE 1AA2                |
| 13   | 1200     | 70                      | 50mA            | ISOTOP         | 497-6021-5-ND◆    | 20.48      | 17.55 | 15.57 | —                 | —             | —         | MSS50-1200                  |

◆ RoHS Compliant ‡ Cut Tape § Ammo Pack



Digi-Reel® Most SMT cutdown parts are available on a Digi-Reel®. For Digi-Reel part number, change 1-ND to 6-ND or CT-ND to DKR-ND. See Digi-Key® Services on page 2 for additional information.

**More Product Available Online: [www.digikey.com](http://www.digikey.com)**