

## Peltier Modules

CUI Peltier Modules provide a convenient and reliable cooling solution. Their compact size make them ideal for applications that are size or weight limited and in applications where heat sinks, compressors or fans wouldn't be feasible. They can be operated in any orientation, do not require the use of chlorofluorocarbons and have no moving parts so they are virtually maintenance free. They are great for use in many demanding industries such as medical, laboratory, aerospace, semiconductor, telecom, industrial, and consumer products.

C

Maximum Current (A)	Maximum Voltage (V)	Resistance ( $\Omega \pm 10\%$ )	(Th = 27°C)		Dimensions - mm			Digi-Key Part No.	Price Each			CUI Part No.
			Qmax (W)	Delta Tmax	A	B	C		1	10	100	
2.0	3.8	1.6	3.7	66°C	15	5.1	15	102-1663-ND	15.18	13.66	11.39	CP20151
	8.6	3.7	8.5		20	5.1	20	102-1664-ND	16.36	14.72	12.27	CP20251
	15.4	6.7	15.2		30	5.1	30	102-1665-ND	16.04	14.44	12.03	CP20351
3.0	3.8	1.0	6.5	66°C	15	3.8	15	102-1666-ND	15.18	13.66	11.39	CP30138
	8.6	2.3	15		20	3.8	20	102-1667-ND	16.36	14.72	12.27	CP30238
	15.4	4.0	27		30	3.8	30	102-1668-ND	15.94	14.35	11.96	CP30338
4.0	3.8	0.8	8.1	66°C	15	3.6	15	102-1669-ND	15.18	13.66	11.39	CP40136
	8.6	2.0	18.7		20	3.6	20	102-1670-ND	16.36	14.72	12.27	CP40236
	15.4	3.5	33.4		30	3.6	30	102-1671-ND	15.44	13.90	11.58	CP40336
6.0	3.8	0.5	12.2	66°C	15	3.3	15	102-1672-ND	15.18	13.66	11.39	CP60133
	8.6	1.2	27.9		20	3.3	20	102-1673-ND	16.36	14.72	12.27	CP60233
	15.4	2.2	50.5		30	3.3	30	102-1674-ND	15.44	13.90	11.58	CP60333
	2.1	0.29	7.1	68°C	15	4.0	15	102-1675-ND	13.54	12.19	10.16	CP60140
	3.8	0.53	13		20	4.0	20	102-1676-ND	14.90	13.41	11.18	CP60240
	8.6	1.21	29		30	4.0	30	102-1677-ND	16.04	14.44	12.03	CP60340
	15.4	2.17	53		40	4.0	40	102-1678-ND	15.82	14.24	11.87	CP60440
	2.1	0.2	10		15	3.8	15	102-1679-ND	14.48	13.03	10.86	CP85138
	3.8	0.4	18		20	3.8	20	102-1680-ND	16.30	14.67	12.23	CP85238
8.5	8.6	0.9	42	68°C	30	3.8	30	102-1681-ND	16.88	15.19	12.66	CP85338
	15.4	1.5	75		40	3.8	40	102-1682-ND	17.82	16.04	13.37	CP85438

Aavid's Ultrastick™ is a unique phase-change thermal interface material that surpasses grease in thermal performance and long-term stability. This solid, silicone free, paraffin based thermal compound changes phase at 60°C, with a concurrent volumetric expansion that fills gaps between the mating surfaces. One cost effective application leaves a thin, film like deposit, providing excellent heat transfer and low interface thermal resistance.

**Features:**

- Thermal resistance 20% lower than thermal grease, with significant long-term reliability benefits
- Excellent heat transfer properties, consistent at mounting pressures from less than 5 psi to more than 200 psi
- No run-out, migration, dry-out, or flaking that can occur with typical thermal grease
- Non-toxic and inert
- Electrically non-conductive
- Easy to use and dry to the touch after application, reducing labor costs
- Each bar covers approximately 1,000 in<sup>2</sup>

HS243-ND.....\$21.88

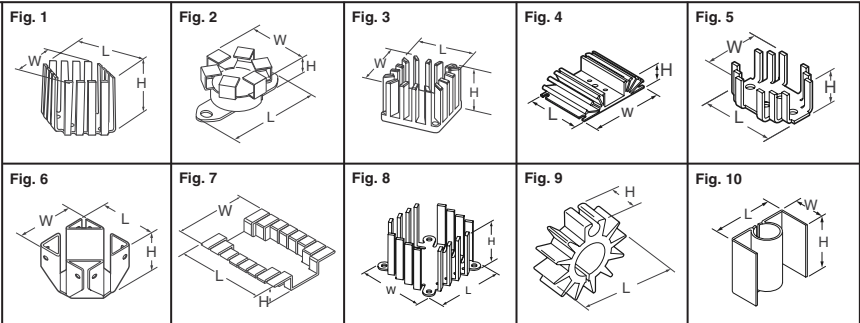
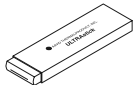


Fig.	Description	Dimensions - Inch (mm) L x W x H	Thermal Resistance °C/W	Digi-Key Part No.	Price Each			Aavid Part No.
					1	10	100	
1	TO-3, Compact Heat Sink, 5W, Black	1.88 x 1.40 x .50 (47.75 x 35.56 x 12.70)	11.5	HS148-ND	.88	.79	.62	501303B00000G
	TO-3, Compact Heat Sink, 7W, Black	1.88 x 1.40 x .75 (47.75 x 35.56 x 19.05)	8.3	HS149-ND	.95	.86	.67	501403B00000G
	TO-3, With Wave-On Mounts, 9W, Black	1.88 x 1.40 x .75 (47.75 x 35.56 x 19.05)	8.3	HS267-ND	2.72	2.45	1.91	501403B00100
	TO-3, With Wave-On Mounts, 9W, Black	1.88 x 1.40 x .75 (47.75 x 35.56 x 19.05)	8.3	HS384-ND	2.81	2.54	1.97	501403B00100G
	TO-3, Compact Heat Sink, 8.5W, Black	1.88 x 1.40 x 1.00 (47.75 x 35.56 x 25.40)	6.3	HS248-ND	1.31	1.19	.92	501503B00000G
	TO-3, With Wave-On Mounts, 9W, Black	1.88 x 1.40 x 1.00 (47.75 x 35.56 x 25.40)	6.3	HS269-ND	2.61	2.35	1.83	501503B00100
	TO-3, Compact Heat Sink, 9.5W, Black	1.88 x 1.40 x 1.25 (47.75 x 35.56 x 31.75)	5.4	HS110-ND	1.34	1.21	.94	501603B00000G
2	TO-3, Compact, 9W, Gold	1.88 x 1.40 x 1.25 (47.75 x 35.56 x 31.75)	5.4	HS270-ND	1.20	1.08	.84	501603C00000
	TO-3, Expandable Collar Type (Can be used with Fig. 1), Black	1.54 x 1.125 x .87 (39.12 x 28.57 x 22.10)	22.0	HS236-ND	.97	.88	.68	579103B00000G
	TO-3, 25W, Black	1.81 x 1.81 x 1.25 (45.97 x 45.97 x 31.75)	5.4	HS103-1.25-ND	5.08	4.57	3.56	568900B00000G
3	TO-3, 17W, Black	1.81 x 1.81 x .50 (45.97 x 45.97 x 12.70)	12.5	HS103-0.5-ND	5.05	4.55	3.54	568003B00000G
	TO-3, Free/Forced Air No Holes, 12W, Black	1.83 x 1.83 x .50 (46.48 x 46.48 x 12.70)	5.4	HS291-ND	5.12	4.61	3.59	568000B00000G
	TO-3, Free or Forced Air Cooling, 12W, Black	1.83 x 1.83 x .75 (46.48 x 46.48 x 19.05)	5.4	HS293-ND	8.26	7.44	5.79	568103B00000G
4	TO-3, Free or Forced Air Cooling, 12W, Black	1.81 x 1.81 x 1.00 (45.97 x 45.97 x 25.40)	5.4	HS294-ND	7.62	6.86	5.34	568203B00000G
	TO-3, Power Cooler, 50W, Black	3.00 x 4.125 x 1.00 (76.20 x 104.78 x 25.40)	5.4	HS117-ND	7.63	6.87	5.34	198540B00000
	TO-3, Space Saver, 6W, Black	1.63 x 1.29 x .75 (41.40 x 32.77 x 19.05)	5.4	HS140-ND	1.61	1.45	1.13	502203B00000
	TO-3, Space Saver, 8W, Black	1.63 x 1.29 x 1.00 (41.40 x 32.77 x 25.40)	5.4	HS141-ND	2.21	1.99	1.55	502303B00000
5	TO-3, Space Saver, 12W, Black	1.63 x 1.29 x 1.25 (41.40 x 32.77 x 31.75)	5.4	HS142-ND	2.06	1.86	1.45	502403B00000
	TO-3, Heat Sink, Fold-Back Fins, No Holes, 10W, Black	1.83 x 1.83 x 1.31 (46.48 x 46.48 x 33.27)	5.4	HS296-ND	3.04	2.74	2.13	569000B00000G
	TO-3, Fold-Back Fins, 20W, Black	1.83 x 1.83 x 1.31 (46.48 x 46.48 x 33.27)	5.4	HS110-3-ND	1.47	1.33	1.04	569003B00000G
	TO-3, Fold-Back Fins, 10W, Gold	1.83 x 1.83 x 1.31 (46.48 x 46.48 x 33.27)	5.4	HS298-ND	1.40	1.26	.98	569003C00000
6	TO-220, Dual Mount Power Cooler, 20W, Black	1.83 x 1.83 x 1.31 (46.48 x 46.48 x 33.27)	5.5	HS110-220-ND	1.86	1.68	1.31	569022B00000G
	TO-3, Universal Hole Pattern, Low Profile, Black	2.00 x 1.75 x .375 (50.80 x 44.45 x 9.53)	7.0	HS228-ND	1.05	.95	.74	506007B00000G
7	TO-3, Slanted Fin, 10W, Black	1.81 x 1.81 x .50 (45.97 x 45.97 x 12.70)	3.5	HS260-ND	2.19	1.97	1.54	500103B00000G
	TO-3, Slanted Fin, 12W, Black	1.81 x 1.81 x 1.25 (45.97 x 45.97 x 31.75)	2.5	HS264-ND	2.12	1.91	1.49	500403B00000G
	TO-3, Slanted Fin, 14W, Black	2.5 x 2.5 x .90 (63.50 x 63.50 x 22.86)	4.9	HS265-ND	2.65	2.39	1.86	500503B00000G

\* Dielectric Coating Unless otherwise noted, all heat sinks are black anodized aluminum. ◆ RoHS Compliant

(Continued)

**More Product Available Online: [www.digkey.com](http://www.digkey.com)**