

TOSHIBA RF Wireless Evaluation Kit

The Evaluation kits allow for a detailed evaluation of the Transceivers and Receiver. They enable testing of the device's RF performance and require no additional support circuitry. The RF input uses a 50Ω matching network and an SMA connector for convenient connection to test equipment. The EV kit can also directly interface to the user's embedded design for easy data decoding. For easy implementation into the customer's design, the kits also feature a proven PC board layout, which can be easily duplicated for quicker time to market.

TA31275EVKIT Contents: • 1 TA31275M receiver module • 1 TA32305M transceiver module • 2 Antennas • CD ROM with all design and application documentation
TA32305EVKIT Contents: • 2 TA32305M transceiver modules • 2 Antennas • CD ROM with all design and application documentation

| Frequency | Digi-Key Part No. | Price Each | Toshiba Part No. |
|-----------|---------------------|------------|------------------|
| 315MHz | TA31275EVKIT-315-ND | 169.95 | TA31275EVKIT-315 |
| 433MHz | TA31275EVKIT-433-ND | 169.95 | TA31275EVKIT-433 |
| 315MHz | TA32305EVKIT-315-ND | 198.95 | TA32305EVKIT-315 |
| 433MHz | TA32305EVKIT-433-ND | 198.95 | TA32305EVKIT-433 |

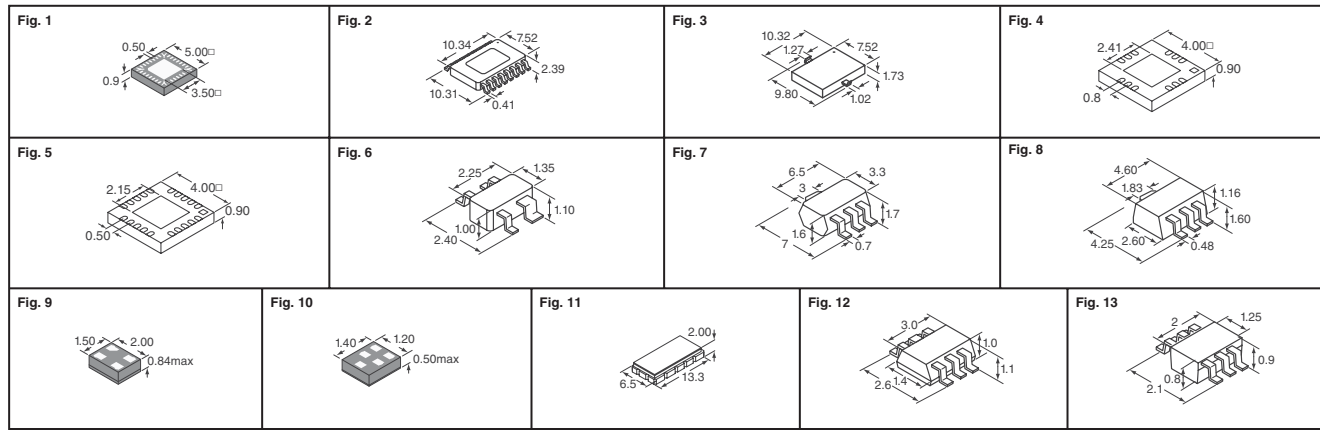
Transceivers and Receiver

| Function | Frequency | Supply Voltage (V) | Package | Digi-Key Part No. | Cut Tape Pricing | | Digi-Key Part No. | T & R Pricing 2,000 | Toshiba Part No. |
|-------------|--------------|--------------------|---------|-------------------|------------------|-------|-------------------|---------------------|------------------|
| | | | | | 1 | 10 | | | |
| Transceiver | 240 – 450MHz | 2.7 – 3.3 | 36-QON | TB32301AFLCT-ND | 5.06 | 40.50 | TB32301AFLTR-ND | 2868.75/M | TB32301AFL |
| | | 2.2 – 5.5 | 30-SSOP | TA32305FNGCT-ND | 3.87 | 30.96 | TA32305FNGTR-ND | 2193.00/M | TA32305FNG |
| Receiver | 100 – 450MHz | 2.4 – 5.5 | 24-SSOP | TA31275FNGCT-ND | 2.48 | 19.80 | TA31275FNGTR-ND | 1287.00/M | TA31275FNG |

◆ RoHS Compliant



NEW! TriQuint SEMICONDUCTOR RF Amplifiers, SAW Filters and RF Components Digi-Reel® RoHS COMPLIANT



| Fig. | Frequency Range (GHz) | P1dB/OIP3 (dBm)† | Gain (dB) | Voltage/Current (V/mA) | Description | Package Type | Digi-Key Part No. | Cut Tape Price Each | | | Digi-Key Part No. | Tape and Reel | | TriQuint Part No. |
|--------------------------------|------------------------|--------------------|-----------|------------------------|---|------------------|----------------------------|---------------------|-------|-------|-------------------|---------------|----------|-------------------|
| | | | | | | | | 1 | 25 | 100 | | Qty. | Pricing | |
| Amplifiers up to 1W | | | | | | | | | | | | | | |
| 1 | 2.3 – 2.8 3.3 – 3.8 | 30 / 40 30 / 42 | 28 24 | 6 / 710 6 / 770 | WiMAX Driver Amp., SB§ WiMAX Driver Amp. | 28-QFN 28-QFN | 779-1000-ND 779-1001-ND | 10.63 | 7.06 | 5.32 | — | — | — | — |
| | | | | | | | | 10.63 | 7.06 | 5.32 | | | | |
| Amplifiers 1W ~ 4W | | | | | | | | | | | | | | |
| 2 | 0.04 – 1.0 | 31.5 / 55 | 12 | 12 / 510 | CATV Ultra Linear HPA | 16-SOIC | 779-1011-1-ND | 45.22 | 40.38 | 36.34 | 779-1011-2-ND | 1,000 | 19380.00 | TGA2801D-SG-T/R |
| Amplifiers 4W and up | | | | | | | | | | | | | | |
| 3 | 3.5 | 37.5 / 49 | 11 | 8 / 750 | 5W HPA, HFET | 2-SMD | 779-1013-1-ND | 38.08 | 34.00 | 30.60 | 779-1013-2-ND | 500 | 8160.00 | TGA2925-SG-T/R |
| Amplifiers - Gain Block | | | | | | | | | | | | | | |
| 4 | 11.0 – 17.0 | 17 / — | 23 | 6 / 75 | Driver Amp., SB§ | 12-QFN | 779-1010-1-ND | 35.70 | 31.88 | 28.69 | 779-1010-2-ND | 500 | 7777.50 | TGA2507-SM-T/R |
| 5 | 0.04 – 1.0 | 27 / 46 | 20 | 8 / 350 | CATV TIA/Gain Block, SB§ | 20-QFN | 779-1012-1-ND | 32.14 | 28.70 | 25.83 | 779-1012-2-ND | 1,000 | 13776.00 | TGA2803-SM-T/R |
| Low Noise Amplifiers | | | | | | | | | | | | | | |
| 5 | 2.0 – 20 | 16 / — | 17 | 5 / 75 | LNA / AGC‡ | 12-QFN | 779-1002-ND | 110.50 | 73.38 | 55.25 | — | — | — | TGA2513-SM |
| 6 | Up to 4.0 | — / 13 | 17 | 3 / 30 | LNA / Discrete | SC70-4 | 779-1006-1-ND | 1.79 | 1.60 | 1.44 | 779-1006-2-ND | 2,500 | 840.00/M | CFH800 |
| Discrete Transistors | | | | | | | | | | | | | | |
| 7 | DC – 2.5 | 26.5 / — | 11 | 2.7 – 6 / 350 | MESFET | SOT-223 | 779-1007-1-ND | 5.60 | 5.00 | 4.50 | 779-1007-2-ND | 1,000 | 3040.00 | CLY5 |
| 8 | DC – 5 DC – 4 | 27 / 40 30 / 44 | 19 18 | 8 / 100 8 / 200 | 0.5W HFET 1W HFET | SOT-89 SOT-89 | 779-1014-1-ND | 10.36 | 9.25 | 8.33 | 779-1014-2-ND | 500 | 2220.00 | TGF2960-SD-T/R |
| | | | | | | | 779-1015-1-ND | 12.18 | 10.88 | 9.79 | 779-1015-2-ND | 500 | 2610.00 | TGF2961-SD-T/R |

† Value is IIP3 for LNA Product ‡ Automatic Gain Control § Self Biased

| Fig. | Frequency (MHz) | Bandwidth (MHz) | Typical Insertion Loss | I/O Configuration | Description | Package Type | Digi-Key Part No. | Cut Tape Price Each | | | Digi-Key Part No. | Tape and Reel | | TriQuint Part No. |
|--------------------|-----------------------------|------------------------------|------------------------------------|---|--|--|-------------------|---------------------|-------|---------------|-------------------|---------------|------------|-------------------|
| | | | | | | | | 1 | 100 | 500 | | Qty. | Pricing | |
| SAW Filters | | | | | | | | | | | | | | |
| 9 | 915 1575.42 | 26 2 | 2.3 1.25 | SE/SE SE/SE | ISM 915MHz Band RF Filter GPS RF Filter | 4-CSP 4-CSP | 779-1003-1-ND | 10.92 | 7.90 | 4.95 | 779-1003-2-ND | 10,000 | 1090.00/M | 856327 |
| | | | | | | | 779-1005-1-ND | 8.50 | 5.10 | 2.55 | 779-1005-2-ND | 10,000 | 880.00/M | 856584 |
| 10 | 2441 | 83.5 | 2 | SE/SE | Bluetooth RF Filter | 5-CSP | 779-1004-1-ND | 4.76 | 2.86 | 1.43 | 779-1004-2-ND | 10,000 | 490.00/M | 856539 |
| 11 | 70 70 70 70 140 | 3.5 7 14 28 6.85 | 7.25 8.5 12.5 17.6 5.5 | SE/SE SE/SE SE/SE SE/SE SE/SE | Low Loss IF Filter Low Loss IF Filter Low Loss IF Filter Low Loss IF Filter Low Loss IF Filter | SMP-53 SMP-53 SMP-53 SMP-53 SMP-53 | 779-1016-1-ND | 39.64 | 28.32 | 20.23 | 779-1016-2-ND | 2,000 | 14772.00/M | 854657 |
| | | | | | | | 779-1017-1-ND | 39.64 | 28.32 | 20.23 | 779-1017-2-ND | 2,000 | 14772.00/M | 854662 |
| | | | | | | | 779-1018-1-ND | 39.64 | 28.32 | 20.23 | 779-1018-2-ND | 2,000 | 14772.00/M | 854667 |
| | | | | | | | 779-1019-1-ND | 39.64 | 28.32 | 20.23 | 779-1019-2-ND | 2,000 | 14772.00/M | 854674 |
| | | | | | | | 779-1020-1-ND | 39.64 | 28.32 | 20.23 | 779-1020-2-ND | 2,000 | 14772.00/M | 854913 |
| | | | | | | | 779-1021-1-ND | 39.64 | 28.32 | 20.23 | 779-1021-2-ND | 2,000 | 14772.00/M | 854919 |
| 140 | 32 | 11.5 | SE/SE | Low Loss IF Filter | SMP-53 | 779-1022-1-ND | 39.64 | 28.32 | 20.23 | 779-1022-2-ND | 2,000 | 14772.00/M | 854927 | |

(Continued)

Digi-Reel® Most SMT cutdown parts are available on a Digi-Reel®. For Digi-Reel part number, change 1-ND to 6-ND or CT-ND to DKR-ND. See Digi-Key® Services on page 2 for additional information.

More Product Available Online: www.digkey.com

Toll-Free: 1-800-344-4539 • Phone 218-681-6674 • Fax: 218-681-3380

(T083) 579