



GPS Antennas

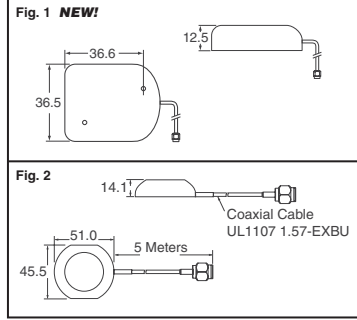


Dimensions in mm

SH Series: The SH Series antennas combine superior performance, advanced operational and protection features and low power consumption. This makes them ideal for telematics, fleet management, navigation, tracking and other applications that require a compact, high performance GPS antenna.

UC Series: The UC Series offers outstanding value in a compact form factor. A wide operating voltage, temperature range and compact housing with dual mounting options suit the UC to a wide variety of cost-sensitive applications.

| Fig. | Description | Frequency (MHz) | Digi-Key Part No. | Price Each | | | Antenna Factor Part No. |
|------|-------------------------------|-----------------|-------------------------------|------------|-------|-------|-------------------------|
| | | | | 1 | 25 | 100 | |
| 1 | Compact GPS Antenna with SMA | 1575.42 | ANT-GPS-SH-SMA-ND NEW! | 25.81 | 23.60 | 20.21 | ANT-GPS-SH-SMA |
| | Compact GPS Antenna with MCX | 1575.42 | ANT-GPS-SH-MCX-ND NEW! | 25.81 | 23.60 | 20.21 | ANT-GPS-SH-MCX |
| | Compact GPS Antenna with MMX | 1575.42 | ANT-GPS-SH-MMX-ND NEW! | 25.81 | 23.60 | 20.21 | ANT-GPS-SH-MMX |
| 2 | High Performance GPS with SMA | 1575.42 | ANT-GPS-UC-SMA-ND | 30.19 | 27.60 | 24.32 | ANT-GPS-UC-SMA |
| | Antenna Base for GPS RP-SMA | — | ANT-DB2-RMG-RP-RP-SM-ND | 39.08 | 35.73 | 29.95 | ANT-DB2-RMG-RP-RP-SM |
| — | Antenna Base for GPS SMA | — | ANT-DB2-RMG-SM-RP-SM-ND | 39.08 | 35.73 | 29.95 | ANT-DB2-RMG-SM-RP-SM |



B

Magnetic Mount Antennas



Dimensions in mm

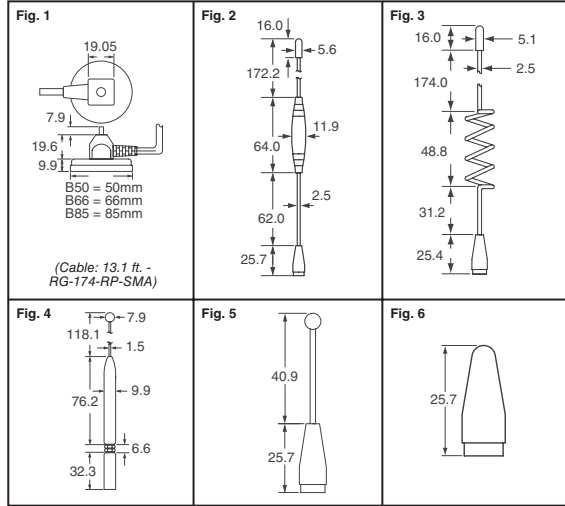
Mag-1 Magnetic Bases:

Available in three base diameters, each MAG-1 Series base features a powerful magnet for reliable mounting on metal surfaces. They also feature a soft, rubber protective cover to help protect painted surfaces, such as those on automobiles. The base accepts a diverse range of antenna element styles and frequencies.

Mag-1 Antenna Elements:

These cosmetically attractive elements are designed to fit MAG-1 Series bases. Ideal for mobile and cellular systems, they are available in a range of styles and center frequencies and are intended to offer outstanding performance and durability even in harsh environments.

| Fig. | Description | Frequency (MHz) | Digi-Key Part No. | Price Each | | | Antenna Factor Part No. |
|------|--------------------------|-------------------|--------------------|------------|------|------|-------------------------|
| | | | | 1 | 25 | 100 | |
| 1 | 50mm MAG-1 Magnetic Base | — | ANT-MAG-B50-RPS-ND | 5.78 | 5.28 | 4.40 | ANT-MAG-B50-RPS |
| | 66mm MAG-1 Magnetic Base | — | ANT-MAG-B66-RPS-ND | 6.49 | 5.94 | 4.95 | ANT-MAG-B66-RPS |
| | 85mm MAG-1 Magnetic Base | — | ANT-MAG-B85-RPS-ND | 7.23 | 6.61 | 5.50 | ANT-MAG-B85-RPS |
| 2 | Dual-Band Whip-Element | 916, 1.7 - 1.8GHz | ANT-ELE-S01-008-ND | 3.41 | 3.12 | 2.90 | ANT-ELE-S01-008 |
| 3 | Whip-Element | 916 | ANT-ELE-S01-005-ND | 2.92 | 2.56 | 2.25 | ANT-ELE-S01-005 |
| 4 | High Gain Whip-Element | 916 | ANT-ELE-S01-006-ND | 3.52 | 3.08 | 2.70 | ANT-ELE-S01-006 |
| 5 | Short Whip-Element | 916 | ANT-ELE-S01-010-ND | 2.86 | 2.51 | 2.22 | ANT-ELE-S01-010 |
| 6 | Stub Element | 2.4GHz | ANT-ELE-S01-011-ND | 2.82 | 2.47 | 2.20 | ANT-ELE-S01-011 |



Yagi Antennas

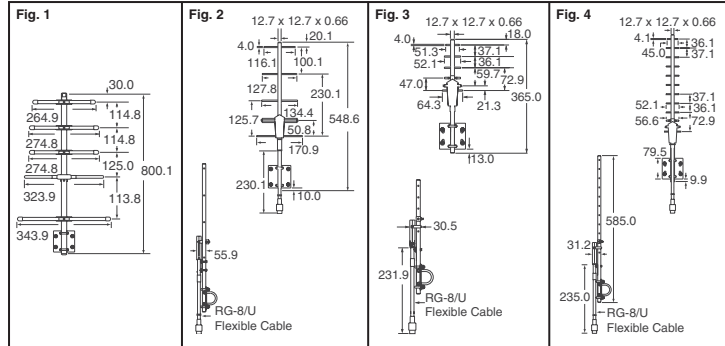


Dimensions in mm

Antenna Factor offers Yagi antennas in models covering frequencies from 400 to 2.4GHz. The antennas are designed for long-distance directional communication and can greatly enhance the performance of RF links, such as WLAN and WIFI.

Made of stainless steel and featuring sturdy mast mounts, these rugged antennas are constructed to withstand the stress of long-term use. All antennas are designed for 50Ω system matches with maximum inputs of 100W.

| Fig. | Description | Freq. (MHz) | Digi-Key Part No. | Price Each | | | Antenna Factor Part No. |
|------|------------------------|-------------|-------------------|------------|--------|-------|-------------------------|
| | | | | 1 | 25 | 100 | |
| 1 | 418MHz 5-Element Yagi | 418 | ANT-418-YG5-N-ND | 84.35 | 77.12 | 69.95 | ANT-418-YG5-N |
| 2 | 916MHz 5-Element Yagi | 916 | ANT-916-YG5-N-ND | 84.35 | 77.12 | 69.95 | ANT-916-YG5-N |
| 3 | 2.4GHz 6-Element Yagi | 2442 | ANT-2.4-YG6-N-ND | 84.35 | 77.12 | 69.95 | ANT-2.4-YG6-N |
| 4 | 2.4GHz 12-Element Yagi | 2442 | ANT-2.4-YG12-N-ND | 120.23 | 109.92 | 89.96 | ANT-2.4-YG12-N |



Surface Mount Antennas



Dimensions in mm

MHW Series:

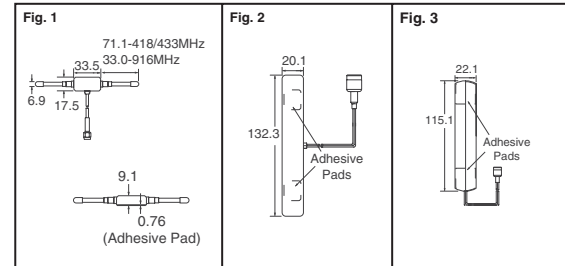
This antenna style provides a clever solution to the unique needs of difficult environments such as a vehicle. Designed to mount directly onto nonconductive interior surfaces such as wallboard, windows or a rear view mirror, these compact antennas are easily concealed, minimizing potential theft.

HDP Series:

A compact, center-fed antenna that achieves efficient operation at either or both of two frequency bands. Its durable, unobtrusive housing attaches permanently with integral adhesive to flat, nonconductive surfaces.

VDP Series:

Similar to the HDP Series but the cable enters from the bottom to facilitate vertical orientation. Also, this compact, center-fed antenna achieves efficient operation at any or all of three frequency bands. Attaches permanently with integral adhesive to flat nonconductive surfaces.



| Fig. | Description | Frequency (MHz) | Digi-Key Part No. | Price Each | | | Antenna Factor Part No. |
|------|---------------------------|------------------------------|----------------------|------------|------|------|-------------------------|
| | | | | 1 | 25 | 100 | |
| 1 | Compact Center-Fed Dipole | 418 | ANT-418-MHW-RPS-S-ND | 9.94 | 8.70 | 7.94 | ANT-418-MHW-RPS-S |
| | | 433 | ANT-433-MHW-RPS-S-ND | 9.94 | 8.70 | 7.94 | ANT-433-MHW-RPS-S |
| | | 916 | ANT-916-MHW-RPS-S-ND | 9.94 | 8.70 | 7.94 | ANT-916-MHW-RPS-S |
| 2 | Dual-Band Surface Mount | 860 - 960, 1770 - 1880 | ANT-DB1-HDP-RPS-ND | 8.07 | 7.38 | 6.75 | ANT-DB1-HDP-RPS |
| 3 | Tri-Band Surface Mount | 860 - 960, 1770 - 1880, 2400 | ANT-DB1-VDP-RPS-ND | 9.68 | 8.47 | 7.44 | ANT-DB1-VDP-RPS |

More Product Available Online: www.digkey.com