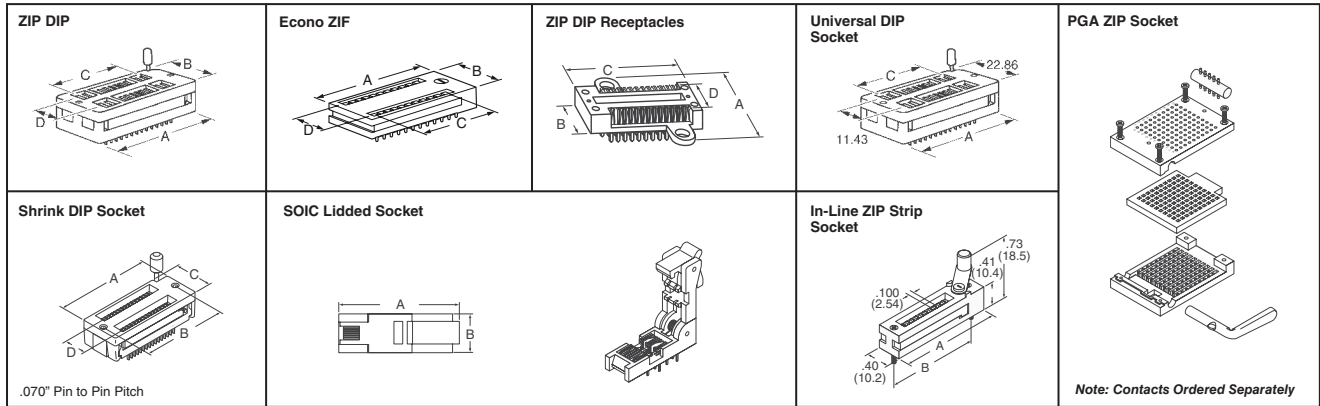


# 3M Zero Insertion Force (ZIF) I.C. Sockets



A



### ZIP DIP SOCKETS:

**Features:** • For DIPs with .100" (2.54mm) lead spacing • Pin counts for 14–64 leads • Lever actuated zero insertion force mechanism • Socket easily disassembles for reparability

**Physical Specifications:** • Insulation Material: Glass Filled Polysulfone; Flammability: UL 94V-0 • Color: Green • Contact Material: Beryllium Copper; Plating: 30µ" (0.76µm) Gold over 50µ" (1.3µm) Nickel **Electrical Specifications:** • Current Rating: 1 Amp **Environmental Specifications:** • Operating Temperature Rating: -55°C – 150°C

### ECONO ZIF SOCKETS:

Designed for OEM/end use applications where field replacement or programming of DIPs is required. The patented ZIF feature uses screwdriver rotation of a cam (instead of a lever) for security against vibration or accidental unloading. Leads are on .100" centers.

### ZIP DIP RECEPTACLES:

**Features:** • Matching receptacle for every ZIP DIP Socket, including "Universal DIP" and "Shrink DIP" • Mounting flanges hold receptacle to board • Pre-tapped holes in receptacle body mate with screw-hole in socket to hold socket firmly to receptacle (2 screws provided with each receptacle)

**Physical Specifications:** • Insulation Material: Glass Filled Polysulfone; Flammability Rating: UL94V-0 • Color: Green • Contact Material: Beryllium Copper; Plating: 30µ" (0.76µm) Gold over 50µ" (1.3µm) Nickel **Electrical Specifications:** • Current Rating: 1 Amp **Environmental Specifications:** • Operating Temperature Rating: -55°C – 150°C

### UNIVERSAL DIP SOCKETS .100 CENTERS:

**Features:** • For DIPs with .100" lead spacing • Extra wide contact zone allows insertion of DIPs with distance between rows from .300" through .600" • Lever actuated zero insertion force mechanism • Socket easily disassembles for reparability

**Physical Specifications:** • Insulation Material: Glass Filled Polysulfone; Flammability: UL 94V-0 • Color: Green • Contact Material: Beryllium Copper; Plating: 30µ" (0.76µm) Gold over 50µ" (1.3µm) Nickel **Electrical Specifications:** • Current Rating: 1 Amp **Environmental Specifications:** • Operating Temperature Rating: -55°C – 150°C

### SHRINK DIP SOCKETS:

**Features:** • For DIPs with .070" (1.78mm) lead spacing • Pin counts from 28 through 90 leads • Lever actuated zero insertion force mechanism

**Physical Specifications:** • Insulation Material: Glass Filled Polysulfone; Flammability: UL 94V-0 • Color: Green • Contact Material: Beryllium Copper; Plating: Gold Flash over 50µ" (1.3µm) Nickel **Electrical Specifications:** • Current Rating: 1 Amp **Environmental Specifications:** • Operating Temperature Rating: -55°C – 150°C

### SOIC SOCKETS LIDDED:

**Features:** • Lid can be actuated from top or front and is compatible with automated load/unload equipment • Compact envelope and side to side stackability maximize board density • Tweezer slot for easy manual loading/unloading • Lid applies 80 grams normal force per lead for maximum electrical reliability • Accepts Gull Wing JEDEC devices sizes in .150" (3.81mm) and .300" (7.62mm) body widths

**Physical Specifications:** • Insulation Material: Glass Filled Polyethersulfone; Flammability: UL 94V-0 • Color: Black • Contact Material: Beryllium Copper; Plating: 30µ" (0.76µm) Gold over 50µ" (1.3µm) Nickel **Electrical Specifications:** • Current Rating: 1 Amp **Environmental Specifications:** • Operating Temperature Rating: -55°C – 150°C

### IN-LINE ZIP STRIP SOCKETS:

**Features:** • For single-in-line packages on .100" (2.54mm) centers • SIP pin counts from 10 through 36 leads • Lever actuated zero insertion force mechanism • Ganging bar included to enable mass actuation • Accepts pins up to .025" (0.6mm) square

**Physical Specifications:** • Insulation Material: Glass Filled Polysulfone; Flammability: UL 94V-0 • Color: Green • Contact Material: Beryllium Copper; Plating: 30µ" (0.76µm) Gold over 50µ" (1.3µm) Nickel **Electrical Specifications:** • Current Rating: 1 Amp **Environmental Specifications:** • Operating Temperature Rating: -55°C – 150°C

### PGA ZIP SOCKETS:

**Features:** • Available in 10 x 10 matrix through 25 x 25 matrix • Used when only a few test sockets are needed • Provides individual components ready for assembly • Open pattern top plate; load only those contacts needed for your specific device pin pattern

**Physical Specifications:** • Insulation Material: Polyethersulfone (PES); Flammability: UL 94V-0V • Color: Black • Contact Material: Beryllium Copper • Plating Options: 30µ" (0.76µm) Gold over 50µ" (1.3µm) Nickel **Electrical Specifications:** • Current Rating: 1 Amp **Environmental Specifications:** • Operating Temperature Rating: -55°C – 150°C

**Note: Contacts Ordered Separately**

No. of Pins	Contact Plating	Dimensions – Inch (mm)				Digi-Key Part No.	Pricing		3M Part No.	
		A	B	C	D		1	10		
<b>ZIP DIP Sockets</b>										
14	Gold	1.30 (33.0)	.60 (15.2)	.60 (15.2)	.300 (7.62)	3M1402-ND	9.59	76.09	214-3339-00-0602J	
16		1.39 (35.3)	.60 (15.2)	.70 (17.8)	.300 (7.62)	3M1602-ND	9.98	79.25	216-3340-00-0602J	
18		1.49 (37.8)	.60 (15.2)	.80 (20.3)	.300 (7.62)	3M1802-ND	10.37	82.28	218-3341-00-0602J	
20		1.59 (40.4)	.60 (15.2)	.90 (22.9)	.300 (7.62)	3M2002-ND	10.17	80.66	220-3342-00-0602J	
22		1.69 (42.9)	.70 (17.8)	1.00 (25.4)	.400 (10.16)	3M2202-ND	11.17	88.68	222-3343-00-0602J	
24		1.78 (45.3)	.90 (22.9)	1.10 (27.9)	.600 (15.24)	3M2402-ND	9.93	78.82	224-1275-00-0602J	
24	Gold	1.79 (45.5)	.60 (15.2)	1.10 (27.9)	.300 (7.62)	3M5000-ND	13.98	111.84	224-5248-00-0602J	
28		1.99 (50.5)	.90 (22.9)	1.30 (33.0)	.600 (15.24)	3M2802-ND	10.41	82.58	228-1277-00-0602J	
28		1.99 (50.5)	.70 (17.8)	1.30 (33.0)	.400 (10.16)	3M5001-ND	15.04	120.32	228-4817-00-0602J	
32		2.19 (55.5)	.90 (22.9)	1.50 (38.1)	.600 (15.24)	3M5076-ND	14.60	116.80	232-1285-00-0602J	
40		2.58 (65.6)	.90 (22.9)	1.90 (48.3)	.600 (15.24)	3M4002-ND	13.49	107.03	240-1200-00-0602J	
64		3.95 (100.3)	1.30 (33.0)	3.10 (78.7)	.900 (22.86)	3M6402-ND	21.10	167.49	264-4493-00-0602J	
40	Gold	2.58 (65.5)	1.30 (33.0)	1.90 (48.3)	1.00 (25.4)	3M5002-ND	19.44	155.52	240-3639-00-0602J	
42		2.68 (68.2)	.90 (22.9)	2.00 (50.8)	.600 (15.24)	3M5003-ND	16.44	131.52	242-1281-00-0602J	
48		2.98 (75.8)	.90 (22.9)	2.30 (58.4)	.600 (15.24)	3M5004-ND	20.50	164.00	248-1282-00-0602J	
<b>Econo ZIF Sockets</b>										
16		Gold	1.10 (27.94)	.50 (12.70)	.700 (17.78)	.300 (7.62)	3M1603-ND	5.58	48.59	216-6278-00-3303
<b>ZIP DIP Receptacles — Solder Tail with Flanges</b>										
14	Gold	1.00 (25.4)	.60 (15.2)	1.28 (32.5)	.300 (7.62)	3M1401-ND	9.01	68.15	214-3339-09-0602J	
16		.96 (24.4)	.56 (14.2)	1.37 (34.8)	.300 (7.62)	3M1601-ND	9.39	71.03	216-3340-09-0602J	
18		.95 (24.1)	.55 (14.0)	1.49 (37.8)	.300 (7.62)	3M1801-ND	9.83	74.40	218-3341-09-0602J	
20		1.00 (25.4)	.60 (15.2)	1.58 (40.1)	.300 (7.62)	3M2001-ND	10.22	77.28	220-3342-09-0602J	
22		1.06 (26.9)	.65 (16.5)	1.69 (42.9)	.400 (10.16)	3M2201-ND	10.62	80.31	222-3343-09-0602J	
24		1.26 (32.0)	.86 (21.8)	1.77 (45.0)	.600 (15.24)	3M2401-ND	9.44	71.46	224-1275-09-0602J	
24	Gold	.96 (24.4)	.56 (14.2)	1.77 (45.0)	.300 (7.62)	3M5021-ND	11.28	90.24	224-5248-09-0602J	
28		1.26 (32.0)	.86 (21.8)	1.98 (50.3)	.600 (15.24)	3M2801-ND	10.47	79.23	228-1277-09-0602J	
28		1.09 (27.9)	.70 (17.8)	1.59 (40.5)	.400 (10.16)	3M5026-ND	10.60	84.80	228-1290-09-0602J	
28		1.06 (26.9)	.66 (16.8)	1.98 (50.3)	.400 (10.16)	3M5028-ND	13.18	105.44	228-4817-09-0602J	
32		1.25 (32.0)	.86 (21.9)	2.17 (55.2)	.600 (15.24)	3M5030-ND	11.66	93.28	232-1285-09-0602J	
40		1.27 (32.3)	.86 (21.8)	2.58 (65.5)	.600 (15.24)	3M4001-ND	13.08	98.95	240-1280-09-0602J	
40	Gold	1.66 (42.2)	1.26 (32.0)	2.58 (65.5)	1.00 (25.4)	3M5037-ND	16.44	131.52	240-3639-09-0602J	
42		1.26 (32.0)	.86 (21.8)	2.68 (68.1)	.600 (15.24)	3M5039-ND	13.52	108.16	242-1281-09-0602J	
42		1.30 (33.0)	.90 (22.9)	2.08 (52.9)	.600 (15.24)	3M5043-ND	14.14	113.12	242-1293-09-0602J	
48		1.25 (31.8)	.86 (21.8)	2.98 (75.8)	.600 (15.24)	3M5045-ND	15.14	121.12	248-1282-09-0602J	
64		1.70 (43.2)	1.30 (33.0)	3.95 (100.3)	.900 (22.86)	3M6401-ND	20.91	158.19	264-4493-09-0602J	
64		1.52 (38.5)	1.11 (28.3)	2.85 (72.5)	.800 (20.32)	3M5049-ND	20.36	162.88	264-1300-09-0602J	
90	1.61 (40.8)	1.19 (30.2)	3.77 (95.7)	.900 (22.86)	3M5052-ND	28.22	225.76	290-1294-09-0602J		
<b>ZIP DIP Receptacles — Wire Wrap with Flanges</b>										
14	Gold	1.00 (25.4)	.60 (15.2)	1.28 (32.5)	.300 (7.62)	3M5013-ND	11.62	92.96	214-3339-19-0602J	
16		.96 (24.4)	.56 (14.2)	1.37 (34.8)	.300 (7.62)	3M5014-ND	12.24	97.92	216-3340-19-0602J	
18		.95 (24.1)	.55 (14.0)	1.49 (37.8)	.300 (7.62)	3M5015-ND	12.88	103.04	218-3341-19-0602J	
20		1.00 (25.4)	.60 (15.2)	1.58 (40.1)	.300 (7.62)	3M5016-ND	13.56	108.48	220-3342-19-0602J	
22		1.06 (26.9)	.65 (16.5)	1.69 (42.9)	.400 (10.16)	3M5017-ND	14.24	113.92	222-3343-19-0602J	
24		1.26 (32.0)	.86 (21.8)	1.77 (45.0)	.600 (15.24)	3M5018-ND	12.10	96.80	224-1275-19-0602J	

(Continued)

More Product Available Online: [www.digkey.com](http://www.digkey.com)

# 3M Zero Insertion Force (ZIF) I.C. Sockets (Cont.)



A

No. of Pins	Contact Plating	Dimensions — Inch (mm)				Digi-Key Part No.	Pricing		3M Part No.
		A	B	C	D		1	10	
24	Gold	.96 (24.4)	.56 (14.2)	1.77 (45.0)	.300 (7.62)	3M5022-ND	14.86	118.88	224-5248-19-0602J
28		1.26 (32.0)	.86 (21.8)	1.98 (50.3)	.600 (15.24)	3M5023-ND	13.56	108.48	228-1277-19-0602J
28		1.06 (26.9)	.66 (16.8)	1.98 (50.3)	.400 (10.16)	3M5029-ND	16.66	133.28	228-4817-19-0602J
32		1.25 (32.0)	.86 (21.9)	2.17 (55.2)	.600 (15.24)	3M5031-ND	14.96	119.68	232-1285-19-0602J
40		1.27 (32.3)	.86 (21.8)	2.58 (65.5)	.600 (15.24)	3M5034-ND	17.50	140.00	240-1280-19-0602J
40	Gold	1.66 (42.2)	1.26 (32.0)	2.58 (65.5)	1.000 (25.4)	3M5038-ND	21.36	170.88	240-3639-19-0602J
42		1.26 (32.0)	.86 (21.8)	2.68 (68.1)	.600 (15.24)	3M5040-ND	17.90	143.20	242-1281-19-0602J
48		1.25 (31.8)	.86 (21.8)	2.98 (75.8)	.600 (15.24)	3M5046-ND	20.14	161.12	248-1282-19-0602J
64		1.70 (43.2)	1.30 (33.0)	3.95 (100.3)	.900 (22.86)	3M5051-ND	29.34	234.72	264-4493-19-0602J
<b>ZIP DIP Receptacles — Solder Tail without Flanges</b>									
24	Gold	1.26 (32.0)	.86 (21.8)	1.77 (45.0)	.600 (15.24)	3M5019-ND	9.64	77.12	224-1275-29-0602J
28		1.26 (32.0)	.86 (21.8)	1.98 (50.3)	.600 (15.24)	3M5024-ND	10.66	85.28	228-1277-29-0602J
28		1.09 (27.9)	.70 (17.8)	1.59 (40.5)	.400 (10.16)	3M5027-ND	10.60	84.80	228-1290-29-0602J
32		1.25 (32.0)	.86 (21.9)	2.17 (55.2)	.600 (15.24)	3M5032-ND	11.66	93.28	232-1285-29-0602J
40		1.27 (32.3)	.86 (21.8)	2.58 (65.5)	.600 (15.24)	3M5035-ND	13.36	106.88	240-1280-29-0602J
42	Gold	1.26 (32.0)	.86 (21.8)	2.68 (68.1)	.600 (15.24)	3M5041-ND	13.52	108.16	242-1281-29-0602J
42		1.30 (33.0)	.90 (22.9)	2.08 (52.9)	.600 (15.24)	3M5044-ND	14.08	112.64	242-1293-29-0602J
48		1.25 (31.8)	.86 (21.8)	2.98 (75.8)	.600 (15.24)	3M5047-ND	15.14	121.12	248-1282-29-0602J
64		1.52 (38.5)	1.11 (28.3)	2.85 (72.5)	.800 (20.32)	3M5050-ND	19.16	153.28	264-1300-29-0602J
90		1.61 (40.8)	1.19 (30.2)	3.77 (95.7)	.900 (22.86)	3M5053-ND	28.22	225.76	290-1294-29-0602J
<b>ZIP DIP Receptacles — Wire Wrap without Flanges</b>									
24	Gold	1.26 (32.0)	.86 (21.8)	1.77 (45.0)	.600 (15.24)	3M5020-ND	12.10	96.80	224-1275-39-0602J
28		1.26 (32.0)	.86 (21.8)	1.98 (50.3)	.600 (15.24)	3M5025-ND	13.56	108.48	228-1277-39-0602J
32		1.25 (32.0)	.86 (21.9)	2.17 (55.2)	.600 (15.24)	3M5033-ND	14.96	119.68	232-1285-39-0602J
40		1.27 (32.3)	.86 (21.8)	2.58 (65.5)	.600 (15.24)	3M5036-ND	17.50	140.00	240-1280-39-0602J
42		1.26 (32.0)	.86 (21.8)	2.68 (68.1)	.600 (15.24)	3M5042-ND	17.90	143.20	242-1281-39-0602J
48	1.25 (31.8)	.86 (21.8)	2.98 (75.8)	.600 (15.24)	3M5048-ND	19.00	152.00	248-1282-39-0602J	
<b>Universal DIP Sockets</b>									
24	Gold	1.77 (45.0)	—	1.10 (27.94)	—	3M2406-ND	13.06	103.64	224-1286-00-0602J
28		1.99 (50.5)	—	1.30 (33.02)	—	3M2806-ND	15.66	124.29	228-1371-00-0602J
32		2.19 (56.6)	—	1.50 (38.10)	—	3M5005-ND	20.78	166.24	232-1287-00-0602J
40		2.59 (65.8)	—	1.90 (48.26)	—	3M4006-ND	20.44	162.20	240-1288-00-0602J
42		2.69 (68.2)	—	2.00 (50.80)	—	3M5006-ND	26.04	208.32	242-1289-00-0602J
<b>Shrink DIP Sockets — .070" Pin to Pin Pitch</b>									
28	Gold	1.60 (40.5)	1.42 (36.1)	.70 (17.8)	.40 (10.16)	3M5007-ND	13.12	104.96	228-1290-00-0602J
32		1.73 (44.0)	1.56 (39.6)	.70 (17.8)	.40 (10.16)	3M5008-ND	18.44	147.52	232-1291-00-0602J
42		2.10 (52.9)	1.90 (48.5)	.90 (22.9)	.60 (15.24)	3M5009-ND	17.98	143.84	242-1293-00-0602J
56		2.57 (65.4)	2.40 (61.0)	.90 (22.9)	.60 (15.24)	3M5010-ND	25.90	207.20	256-1292-00-0602J
64		2.90 (72.5)	2.68 (68.0)	1.10 (28.3)	.80 (20.70)	3M5011-ND	25.18	201.44	264-1300-00-0602J
90	3.77 (95.7)	3.59 (91.3)	1.23 (31.3)	.90 (22.86)	3M5012-ND	40.26	322.08	290-1294-00-3302J	
<b>SOIC Lidded Sockets</b>									
8	Gold	1.45 (36.8)	.47 (11.9)	—	—	3M5054-ND	17.94	143.52	208-7391-55-1902
14		1.45 (36.8)	.47 (11.9)	—	—	3M5055-ND	20.24	161.92	214-7390-55-1902
16		1.59 (40.4)	.57 (14.5)	—	—	3M5077-ND	21.48	171.84	216-7224-55-1902
16		1.45 (36.8)	.47 (11.9)	—	—	3M5078-ND	21.48	171.84	216-7383-55-1902
18		1.59 (40.4)	.57 (14.5)	—	—	3M5056-ND	22.04	176.32	218-7223-55-1902
20	Gold	1.59 (40.4)	.57 (14.5)	—	—	3M5057-ND	23.28	186.24	220-7201-55-1902
24		1.69 (42.9)	.80 (20.3)	—	—	3M5058-ND	25.72	205.76	224-7397-55-1902
28		1.69 (42.9)	.80 (20.3)	—	—	3M5059-ND	28.12	224.96	228-7396-55-1902
28		1.69 (42.9)	.80 (20.3)	—	—	3M5060-ND	28.12	224.96	228-7474-55-1902
<b>In-Line ZIP Strip Sockets</b>									
10	Gold	1.77 (45.0)	1.60 (40.8)	—	—	3M5061-ND	26.10	208.80	210-2599-00-0602
20		2.77 (70.4)	2.57 (65.3)	—	—	3M5062-ND	29.44	235.52	220-2600-00-0602
24		3.15 (80.0)	2.97 (75.4)	—	—	3M5063-ND	30.50	244.00	224-5809-00-0602
32		3.97 (100.8)	3.81 (96.8)	—	—	3M5064-ND	32.64	261.12	232-2601-00-0602
36		4.35 (110.5)	4.17 (105.9)	—	—	3M5065-ND	33.64	269.12	236-6225-00-0602

Matrix Size	Description	Digi-Key Part No.	Pricing		3M Part No.
			1	10	
<b>PGA ZIP Sockets</b>					
10 x 10	Socket Kit without Contacts	3M5066-ND	29.12	232.96	200-6310-9UN-1900
11 x 11	Socket Kit without Contacts	3M5067-ND	29.20	233.60	200-6311-9UN-1900
13 x 13	Socket Kit without Contacts	3M5068-ND	29.54	236.32	200-6313-9UN-1900
15 x 15	Socket Kit without Contacts	3M5069-ND	50.06	400.48	200-6315-9UN-1900
17 x 17	Socket Kit without Contacts	3M5070-ND	45.28	362.24	200-6317-9UN-1900
19 x 19	Socket Kit without Contacts	3M5071-ND	53.84	430.72	200-6319-9UN-1900
21 x 21	Socket Kit without Contacts	3M5072-ND	64.74	517.92	200-6321-9UN-1900
25 x 25	Socket Kit without Contacts	3M5073-ND	86.20	689.60	200-6325-9UN-1900
—	Socket Contact - BeCu/Au Plated	3M5074-ND	.22	1.76	300-6300-CNA-0002B
—	Extra Hole Plugs - Set of 10	3M5075-ND	1.50	12.00	200-4660-14-1900

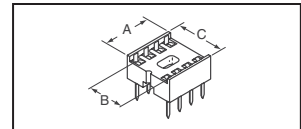
## DIP Sockets

### Features:

- Dual leaf, high compression contact provides reliable termination
- Side and end stackable

### Specifications:

- Insulation Material: Polyester glass filled
- Flammability: UL 94V-0
- Color: Black
- Underplating: 35µ" min. Nickel overall
- Surface Plating: 135µ" min. Matte Tin overall
- Current Rating: 1 Amp
- Temperature Rating: -25°C - 85°C



No. of Contact	Dimensions — Inch (mm)			Digi-Key Part No.	Pricing			3M Part No.
	A	B	C		1	10	100	
<b>Straight Tail</b>								
8	.395 (10.03)	.300 (7.62)	.400 (10.16)	3M5461-ND	.18	1.56	12.60	4808-3000-CP
14	.695 (17.65)	.300 (7.62)	.400 (10.16)	3M5462-ND	.15	1.30	10.50	4814-3000-CP
16	.795 (20.19)	.300 (7.62)	.400 (10.16)	3M5463-ND	.15	1.30	10.50	4816-3000-CP
18	.895 (22.73)	.300 (7.62)	.400 (10.16)	3M5464-ND	.21	1.82	14.70	4818-3000-CP
20	.995 (25.27)	.300 (7.62)	.400 (10.16)	3M5465-ND	.21	1.82	14.70	4820-3000-CP
24	1.195 (30.35)	.300 (7.62)	.400 (10.16)	3M5466-ND	.24	2.08	16.80	4824-3000-CP
24	1.195 (30.35)	.600 (15.24)	.700 (17.78)	3M5467-ND	.24	2.08	16.80	4824-6000-CP
28	1.395 (35.43)	.600 (15.24)	.700 (17.78)	3M5469-ND	.27	2.34	18.90	4828-6000-CP
32	1.595 (40.51)	.600 (15.24)	.700 (17.78)	3M5470-ND	.30	2.60	21.00	4832-6000-CP
40	1.995 (50.67)	.600 (15.24)	.700 (17.78)	3M5471-ND	.39	3.38	27.30	4840-6000-CP
48	2.395 (60.83)	.600 (15.24)	.700 (17.78)	3M5472-ND	.48	4.16	33.60	4848-6000-CP

No. of Contact	Dimensions — Inch (mm)			Digi-Key Part No.	Pricing			3M Part No.
	A	B	C		1	10	100	
<b>Kinked Tail</b>								
8	.395 (10.03)	.300 (7.62)	.400 (10.16)	3M5473-ND	.18	1.56	12.60	4808-3004-CP
14	.695 (17.65)	.300 (7.62)	.400 (10.16)	3M5474-ND	.18	1.56	12.60	4814-3004-CP
16	.795 (20.19)	.300 (7.62)	.400 (10.16)	3M5475-ND	.18	1.56	12.60	4816-3004-CP
18	.895 (22.73)	.300 (7.62)	.400 (10.16)	3M5476-ND	.24	2.08	16.80	4818-3004-CP
20	.995 (25.27)	.300 (7.62)	.400 (10.16)	3M5477-ND	.24	2.08	16.80	4820-3004-CP
24	1.195 (30.35)	.300 (7.62)	.400 (10.16)	3M5478-ND	.30	2.60	21.00	4824-3004-CP
28	1.395 (35.43)	.300 (7.62)	.400 (10.16)	3M5480-ND	.30	2.60	21.00	4828-3004-CP
24	1.195 (30.35)	.600 (15.24)	.700 (17.78)	3M5479-ND	.30	2.60	21.00	4824-6004-CP
28	1.395 (35.43)	.600 (15.24)	.700 (17.78)	3M5481-ND	.33	2.86	23.10	4828-6004-CP
32	1.595 (40.51)	.600 (15.24)	.700 (17.78)	3M5482-ND	.39	3.38	27.30	4832-6004-CP
40	1.995 (50.67)	.600 (15.24)	.700 (17.78)	3M5483-ND	.48	4.16	33.60	4840-6004-CP
48	2.395 (60.83)	.600 (15.24)	.700 (17.78)	3M5484-ND	.57	4.94	39.90	4848-6004-CP

More Product Available Online: [www.digkey.com](http://www.digkey.com)

Toll-Free: 1-800-344-4539 • Phone 218-681-6674 • Fax: 218-681-3380