

HDMI High-Definition Multimedia Interface connector is the next generation interface for consumer electronic products such as digital television, set-top boxes and DVD players. HDMI supports standard, enhanced or high-definition video, plus multi-channel audio on a single cable. **Features:** • Full shielding for ESD protection and lead-free process capable • 19 positions and 5 Gigabits/second of bandwidth to support video and multi-channel audio in a single cable • Durability: 10,000 cycles

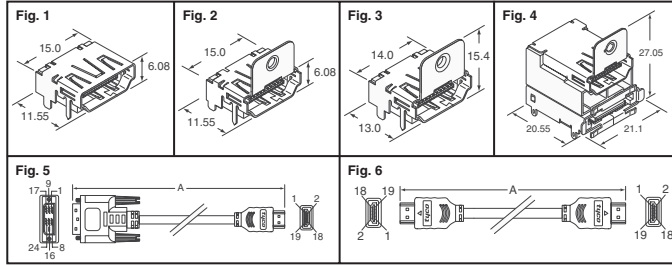
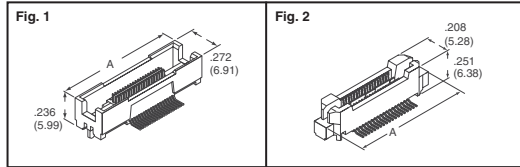


Fig.	Description	Digi-Key Part No.	Price Each			Tape and Reel Qty.	AMP Part No.
			1	25	100		
HDMI Receptacles							
1	SMT R/A without Flange	A35071CT-ND‡	4.47	3.73	2.98	300	742.02
2	SMT R/A with Standard Flange	A35072-ND	6.03	5.03	4.02	—	1-1747981-1
3	SMT R/A with HI Flange	A35073-ND	5.73	4.78	3.82	—	1-1747981-2
4	SMT R/A with HI Flange	A35074CT-ND‡	3.87	3.23	—	170	364.04
5	Thru Hole R/A	A35075-ND	5.73	4.78	3.82	—	1746679-1
6	HDMI Over E-SATA	A35076-ND	7.53	6.28	5.02	—	1888540-1
Cable Assemblies							
1	HDMI to DVI 2 Meters	A35083-ND	24.86	19.34	15.47	—	1770020-1
2	HDMI to DVI 3 Meters	A35084-ND	29.27	22.77	18.22	—	1770020-2
3	HDMI to DVI 5 Meters	A35086-ND	18.77	14.60	11.68	—	1770020-4
4	HDMI to DVI .75 Meters	A35087-ND	18.25	14.20	11.36	—	1770020-5
5	HDMI to DVI 1 Meter	A35088-ND	20.79	16.17	12.94	—	1770020-6
6	HDMI to HDMI 2 Meters	A35077-ND	28.04	21.81	17.45	—	1770019-1
7	HDMI to HDMI 3 Meters	A35078-ND	23.92	18.61	14.89	—	1770019-2
8	HDMI to HDMI .25 Meters	A35079-ND	17.55	13.65	10.92	—	1770019-3
9	HDMI to HDMI .5 Meters	A35080-ND	19.15	14.90	11.92	—	1770019-4
10	HDMI to HDMI .75 Meters	A35081-ND	18.20	14.16	11.33	—	1770019-5
11	HDMI to HDMI 1 Meter	A35082-ND	20.66	16.07	12.86	—	1770019-6

† For Tape and Reel part number, change CT-ND to TR-ND. ‡ Cut Tape

Mictor Connectors - SMD

Material: • Housing: Liquid crystal polymer, black • Contacts: Copper alloy • Ground Bus: Phosphor bronze • Finish: Gold Plating • Contacts and Ground Bus: Duplex plated 0.00076(.000030) minimum gold in mating area with entire contact and ground bus underplated .00178 (.000070) minimum nickel **Rated:** • Voltage: 30VAC • Current: Signal 1.0 amp, fully derated grounded; 7.6 amps, fully derated • Temperature: -55°C - 125°C



No. of Pos.	Dim. - Inches (mm)	Distance Between First and Last Position	Digi-Key Part No.	Price Each			AMP Part No.
				1	25	100	
Fig. 1 - 1 Row of Pins, Series 767004 Receptacles							
38	1.00 (25.4)	.450"	A32308-ND	20.75	18.80	13.32	2-5767004-2
76	1.50 (38.1)	.950"	A32309-ND	41.47	37.56	26.61	2-5767004-3
152	2.5 (63.5)	1.95"	A32310-ND	70.52	63.87	45.24	2-5767004-5
Fig. 2 - 2 Rows of Pins, Series 767007 Plugs							
38	1.00 (25.4)	.450"	A32311-ND	18.05	16.35	11.58	5767007-8
76	1.50 (38.1)	.950"	A32312-ND	47.67	43.18	30.59	5767007-9
152	2.5 (63.5)	1.95"	A32313-ND	81.04	73.40	51.99	1-5767007-1

Bourns 70AD Modular Contacts

The Model 70AD Modular Contact is a low profile modular design connector that makes a high integrity, yet quickly removable connection.

Applications: Rechargeable batteries and battery packs, battery chargers, cellular and portable phones, two-way radios, laptop computers, etc. **Materials and Finishes:** Insulator: Glass reinforced thermoplastic; UL 94V-0 rated, black Contact: Copper alloy Finish Underplating: Nickel Finish Contact Area: 30µ in. Au over Ni (male), Precious metal (female) Finish Termination: Tin alloy (meets MIL-STD202, method 208) Electrical Operating Characteristics: Current Rating: DC 3A/contact Voltage Rating: DC 30V (male) Contact Resistance: 25mΩ maximum Dielectric Voltage: AC 500V Insulating Resistance: 400MΩ minimum (male), 500MΩ minimum (female) Operating Temperature: -55°C - 125°C Mechanical Characteristics: Normal Force: 100 grams minimum (male) Durability: 5,000 cycles

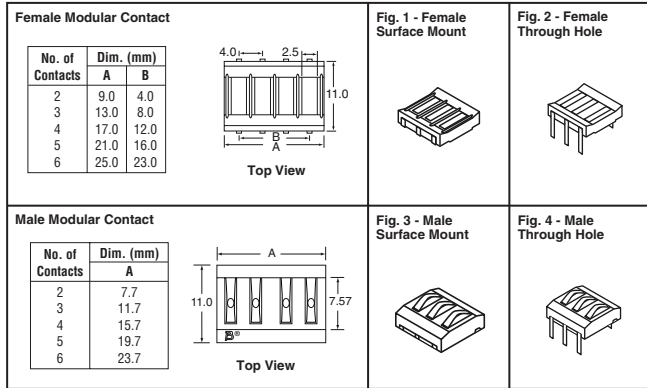
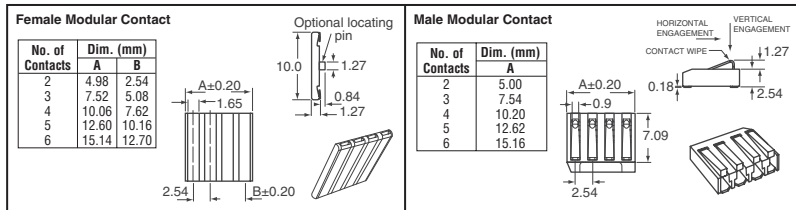


Fig.	No. of Pos.	Digi-Key Part No.	Price Each			Bourns Part No.
			1	50	100	
Female SMT — RoHS Compliant						
1	2	70ADJ-2-F-ND	1.23	.98	.76	70ADJ-2-FLO
	3	70ADJ-3-F-ND	1.45	1.16	.90	70ADJ-3-FLO
	4	70ADJ-4-F-ND	1.83	1.46	1.13	70ADJ-4-FLO
	5	70ADJ-5-F-ND	2.18	1.74	1.34	70ADJ-5-FLO
	6	70ADJ-6-F-ND	2.55	2.04	1.57	70ADJ-6-FLO
	Female SMT with Locator Pin					
1	2	70ADJ-2-F1-ND◆	1.23	.98	.76	70ADJ-2-FL1
	3	70ADJ-3-F1-ND	1.45	1.16	.90	70ADJ-3-FL1
	4	70ADJ-4-F1-ND◆	1.83	1.46	1.13	70ADJ-4-FL1
	5	70ADJ-5-F1-ND◆	2.18	1.74	1.34	70ADJ-5-FL1
	6	70ADJ-6-F1-ND◆	2.55	2.04	1.57	70ADJ-6-FL1
	Female Through-Hole — RoHS Compliant					
2	2	70ADH-2-F-ND	1.23	.98	.76	70ADH-2-FLO
	3	70ADH-3-F-ND	1.45	1.16	.90	70ADH-3-FLO
	4	70ADH-4-F-ND	1.83	1.46	1.13	70ADH-4-FLO
	5	70ADH-5-F-ND	2.18	1.74	1.34	70ADH-5-FLO
	6	70ADH-6-F-ND	2.55	2.04	1.57	70ADH-6-FLO
	Male SMT — RoHS Compliant					
3	2	70ADJ-2-M-ND	1.30	1.04	.80	70ADJ-2-MLO
	3	70ADJ-3-M-ND	1.63	1.30	1.00	70ADJ-3-MLO
	4	70ADJ-4-M-ND	2.03	1.62	1.25	70ADJ-4-MLO
	5	70ADJ-5-M-ND	2.45	1.96	1.51	70ADJ-5-MLO
	6	70ADJ-6-M-ND	2.85	2.28	1.76	70ADJ-6-MLO
	Male SMT with Locator Pin — RoHS Compliant					
3	2	70ADJ-2-M1-ND	1.30	1.04	.80	70ADJ-2-ML1
	3	70ADJ-3-M1-ND	1.63	1.30	1.00	70ADJ-3-ML1
	4	70ADJ-4-M1-ND	2.03	1.62	1.25	70ADJ-4-ML1
	5	70ADJ-5-M1-ND	2.45	1.96	1.51	70ADJ-5-ML1
	6	70ADJ-6-M1-ND	2.85	2.28	1.76	70ADJ-6-ML1
	Male Through-Hole — RoHS Compliant					
4	2	70ADH-2-M-ND	1.30	1.04	.80	70ADH-2-MLO
	3	70ADH-3-M-ND	1.63	1.30	1.00	70ADH-3-MLO
	4	70ADH-4-M-ND	2.03	1.62	1.25	70ADH-4-MLO
	5	70ADH-5-M-ND	2.45	1.96	1.51	70ADH-5-MLO
	6	70ADH-6-M-ND	2.85	2.28	1.76	70ADH-6-MLO

◆ RoHS Compliant

70AA Modular Contacts

Features: • 2.54mm pitch and height • End-to-end stackable • Pick and place compatible • High cycle life **Operating Characteristics:** Electrical: • Current Rating: 3A/contact • Voltage Rating: 60V • Contact Resistance: 30mΩ maximum (25mΩ maximum for Male) • Operating Temperature: -55°C - 125°C Mechanical: • Durability: 10,000 cycles minimum Please see data sheet for full dimensions



No. of Pos.	Digi-Key Part No.	Price Each			Bourns Part No.
		1	50	100	
Female Modular Contact					
2	70AAJ-2-F0-ND	.50	.40	.36	70AAJ-2-F0
3	70AAJ-3-F0-ND	.75	.60	.54	70AAJ-3-F0
4	70AAJ-4-F0-ND	.90	.72	.65	70AAJ-4-F0
5	70AAJ-5-F0-ND	1.00	.80	.72	70AAJ-5-F0
6	70AAJ-6-F0-ND	1.18	.94	.85	70AAJ-6-F0
Female Modular Contact with Locating Pin					
2	70AAJ-2-F1-ND	.50	.40	.36	70AAJ-2-F1
3	70AAJ-3-F1-ND	.75	.60	.54	70AAJ-3-F1
4	70AAJ-4-F1-ND	.90	.72	.65	70AAJ-4-F1
5	70AAJ-5-F1-ND	1.00	.80	.72	70AAJ-5-F1
6	70AAJ-6-F1-ND	1.18	.94	.85	70AAJ-6-F1
Male Modular Contact					
2	70AAJ-2-M0-ND	.88	.70	.63	70AAJ-2-M0
3	70AAJ-3-M0-ND	1.13	.90	.81	70AAJ-3-M0
4	70AAJ-4-M0-ND	1.38	1.10	.99	70AAJ-4-M0
5	70AAJ-5-M0-ND	1.75	1.40	1.26	70AAJ-5-M0
6	70AAJ-6-M0-ND	2.13	1.70	1.53	70AAJ-6-M0

Digi-Reel® Most SMT cutdown parts are available on a Digi-Reel®. For Digi-Reel part number, change 1-ND to 6-ND or CT-ND to DKR-ND. See Digi-Key® Services on page 2 for additional information.

More Product Available Online: www.digikey.com

Toll-Free: 1-800-344-4539 • Phone 218-681-6674 • Fax: 218-681-3380