

A

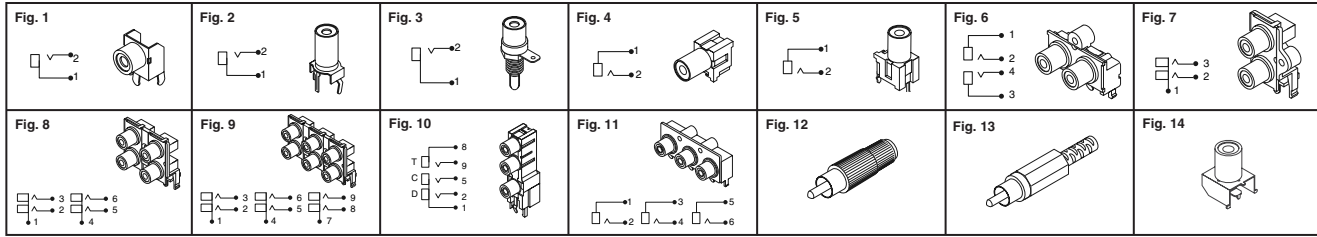


Fig.	Color	Digi-Key Part No.	Price Each			CUI Inc. Part No.
			1	10	100	
1	Black	CP-1400-ND	66	58	44	RCJ-011
	Red	CP-1401-ND	66	58	44	RCJ-012
	White	CP-1402-ND	66	58	44	RCJ-013
	Yellow	CP-1403-ND	66	58	44	RCJ-014
	Blue	CP-1404-ND	66	58	44	RCJ-015
	Green	CP-1405-ND	66	58	44	RCJ-016
	Orange	CP-1466-ND	66	58	44	RCJ-017
2	Black	CP-1406-ND	78	68	52	RCJ-021
	Red	CP-1407-ND	79	69	53	RCJ-022
	White	CP-1408-ND	78	68	52	RCJ-023
	Yellow	CP-1409-ND	79	69	53	RCJ-024
	Blue	CP-1410-ND	79	69	53	RCJ-025
	Green	CP-1411-ND	78	68	52	RCJ-026
	Orange	CP-1467-ND	78	68	52	RCJ-027
3	Black	CP-1412-ND	1.05	91	70	RCJ-031
	Red	CP-1413-ND	1.05	91	70	RCJ-032
	White	CP-1414-ND	1.05	91	70	RCJ-033
	Yellow	CP-1415-ND	1.04	91	70	RCJ-034
	Blue	CP-1416-ND	1.05	91	70	RCJ-035
	Green	CP-1417-ND	1.05	91	70	RCJ-036
	Orange	CP-1468-ND	1.05	91	70	RCJ-037
4	Black	CP-1418-ND	1.23	1.07	.82	RCJ-041
	Red	CP-1419-ND	1.23	1.07	.82	RCJ-042
	White	CP-1420-ND	1.23	1.07	.82	RCJ-043
	Yellow	CP-1421-ND	1.23	1.07	.82	RCJ-044
	Blue	CP-1422-ND	1.23	1.07	.82	RCJ-045

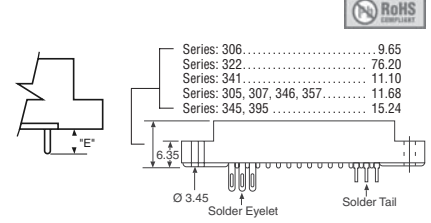
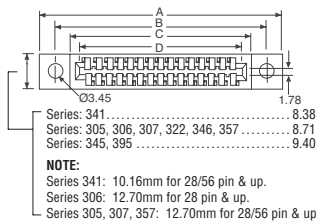
Fig.	Color	Digi-Key Part No.	Price Each			CUI Inc. Part No.
			1	10	100	
4	Green	CP-1423-ND	1.23	1.07	.82	RCJ-046
	Orange	CP-1469-ND	1.23	1.07	.82	RCJ-047
5	Black	CP-1424-ND	.90	78	60	RCJ-051
	Red	CP-1425-ND	.90	78	60	RCJ-052
	White	CP-1426-ND	.90	78	60	RCJ-053
	Yellow	CP-1427-ND	.90	78	60	RCJ-054
	Blue	CP-1428-ND	.90	78	60	RCJ-055
	Green	CP-1429-ND	.90	78	60	RCJ-056
	Orange	CP-1470-ND	.90	78	60	RCJ-057
6	Red/Black	CP-1430-ND	1.23	1.07	.82	RCJ-2121
	White/Yellow	CP-1431-ND	1.23	1.07	.82	RCJ-2134
	Red/White	CP-1432-ND	1.23	1.07	.82	RCJ-2123
7	Red/Black	CP-1433-ND	1.17	1.02	.78	RCJ-2221
	White/Yellow	CP-1434-ND	1.17	1.02	.78	RCJ-2234
	Red/White	CP-1435-ND	1.17	1.02	.78	RCJ-2223
8	Red/Black	CP-1436-ND	2.01	1.75	1.34	RCJ-412211
	White/Yellow	CP-1437-ND	2.01	1.75	1.34	RCJ-413344
	Red/White	CP-1438-ND	2.01	1.75	1.34	RCJ-412233
9	Red/Black	CP-1439-ND	2.52	2.19	1.68	RCJ-61212121
	White/Yellow	CP-1440-ND	2.52	2.19	1.68	RCJ-61343434
	Red/White	CP-1441-ND	2.52	2.19	1.68	RCJ-61232323
10	Red/White/Yellow	CP-1443-ND	1.51	1.31	1.01	RCJ-31234
	Red/White/Yellow Red/Green/Blue	CP-1464-ND	2.07	1.80	1.38	RCJ-33234
		CP-1465-ND	2.07	1.80	1.38	RCJ-33265

Fig.	Color	Digi-Key Part No.	Price Each			CUI Inc. Part No.	
			1	10	100		
11	Red/White/Yellow	CP-1445-ND	2.01	1.75	1.34	RCJ-32234	
	Red/Green/Blue	CP-1446-ND	2.01	1.75	1.34	RCJ-32265	
12	Black	CP-1447-ND	1.20	1.04	.80	RCP-011	
	Red	CP-1448-ND	1.20	1.04	.80	RCP-012	
	White	CP-1449-ND	1.20	1.04	.80	RCP-013	
	Yellow	CP-1450-ND	1.21	1.05	.81	RCP-014	
	Blue	CP-1451-ND	1.20	1.04	.80	RCP-015	
	Green	CP-1452-ND	1.20	1.04	.80	RCP-016	
13	Black	CP-1453-ND	1.25	1.09	.84	RCP-021	
	Red	CP-1454-ND	1.26	1.10	.84	RCP-022	
	White	CP-1455-ND	1.26	1.10	.84	RCP-023	
	Yellow	CP-1456-ND	1.25	1.09	.84	RCP-024	
	Blue	CP-1457-ND	1.26	1.10	.84	RCP-025	
	Green	CP-1458-ND	1.26	1.10	.84	RCP-026	
14	Black	CP-1459-1-ND	‡	.72	.63	.56	RCJ-011-SMT
	Black	CP-1459-2-ND	†	120.00	250		RCJ-011-SMT
	Red	CP-1460-1-ND	‡	.72	.63	.56	RCJ-012-SMT
	Red	CP-1460-2-ND	†	120.00	250		RCJ-012-SMT
	White	CP-1461-1-ND	‡	.72	.63	.56	RCJ-013-SMT
	White	CP-1461-2-ND	†	120.00	250		RCJ-013-SMT
	Yellow	CP-1462-1-ND	‡	.72	.63	.56	RCJ-014-SMT
	Yellow	CP-1462-2-ND	†	120.00	250		RCJ-014-SMT
	Orange	CP-1463-1-ND	‡	.72	.63	.56	RCJ-017-SMT
	Orange	CP-1463-2-ND	†	120.00	250		RCJ-017-SMT

◆ RoHS Compliant § Not Recommended for New Design
‡ Cut Tape † Tape and Reel

EDAC **Edgcard Connectors**

MATERIALS: • Insulator: Thermoplastic Polyester, UL 94V-0 (Series 322: Grey Polycarbonate)
• Contacts: Copper, Nickel, Tin Alloy CA-725 or Phosphor Bronze • Contact Plating: Gold on Mating Area, Tin on the Contact Tails, Nickel Underplate • Colors: Series 305, 306, 307, 341, 345 and 346 are green; Series 357 and 395 are black.
MECHANICAL: • P.C. Card Slot: Accepts boards .054" (1.37mm) to .070" (1.78mm) thick
ELECTRICAL: • Insulation Resistance: 5000MΩ at 500VDC • Dielectric Withstanding Voltage: Series 341, 345, 395: 1200VAC RMS at sea level; Series 305, 306, 322, 357: 1800VAC RMS at sea level; Series 346: 1500VAC RMS at sea level • Current Rating: Series 305, 306, 307, 322, 357: 5 Amperes; Series 345, 346, 341, 395: 3 Amperes • Contact Resistance: 10mΩ, maximum
ENVIRONMENTAL: • Operating Temperature: -65°C ~ 105°C



Contacts	Dimensions (mm)				Digi-Key Part No.	Pricing				EDAC Part No.	
	A ±.38	B ±.20	C ±.38	D ±.15		1	10	100	500		
Solder Eyelet — .140" (3.56mm) Row-to-Row Spacing											
.100" (2.54mm) Contact Centers											
20	47.63	40.01	32.29	27.94	5.59	EDC341200-ND	13.55	120.18	961.40	4370.00	341-020-500-202
Solder Tail — .140" (3.56mm) Row-to-Row Spacing											
.100" (2.54mm) Contact Centers											
12	37.47	29.85	22.23	17.78	3.18	EDC341120-ND†	7.75	68.75	550.00	2500.00	341-012-520-201
20	47.63	40.01	32.29	27.94	3.18	EDC341200-ND	4.25	37.68	301.40	1370.00	341-020-520-202
30	60.33	52.71	45.09	40.64	3.18	EDC341300-ND	4.81	42.63	341.00	1550.00	341-030-520-202
40	73.03	65.41	57.79	53.34	3.18	EDC341400-ND	5.18	45.93	367.40	1670.00	341-040-520-202
50	85.73	78.11	70.49	66.04	3.18	EDC341500-ND	5.67	50.33	402.60	1830.00	341-050-520-202
Solder Eyelet — .156" (3.96mm) Row-to-Row Spacing											
.156" (3.96mm) Contact Centers											
48	118.11	110.24	102.97	99.26	7.16	EDC305480-ND	11.01	97.63	781.00	3550.00	305-048-500-202
56	133.96	126.09	118.82	115.11	7.16	EDC305560-ND	11.90	105.60	844.80	3840.00	305-056-500-202
Solder Tail — .140" (3.56mm) Row-to-Row Spacing											
.156" (3.96mm) Contact Centers											
12	46.79	38.91	31.65	27.94	5.41	EDC305122-ND	3.10	27.50	220.00	1000.00	305-012-520-202
20	62.64	54.76	47.50	43.79	5.41	EDC305202-ND	3.66	32.45	259.60	1180.00	305-020-520-202
24	70.56	62.69	55.42	51.71	5.41	EDC305242-ND	4.19	37.13	297.00	1350.00	305-024-520-202
30	82.45	74.57	67.31	63.60	5.41	EDC305302-ND	4.53	40.15	321.20	1460.00	305-030-520-202
36	94.34	86.46	79.20	75.49	5.41	EDC305362-ND	5.24	46.48	371.80	1690.00	305-036-520-202
44	110.19	102.31	95.05	91.34	5.41	EDC305442-ND	5.92	52.53	420.20	1910.00	305-044-520-202
Solder Tail — .200" (5.08mm) Row-to-Row Spacing											
.100" (2.54mm) Contact Centers											
20	46.61	40.01	32.00	27.94	4.45	EDC395200-ND†	6.79	60.23	481.80	2190.00	345-020-520-201
20	46.61	40.01	32.00	27.94	4.45	EDC395202-ND	2.64	23.38	187.00	850.00	395-020-520-202
26	54.23	47.63	39.62	35.56	4.45	EDC395262-ND	3.16	28.05	224.40	1020.00	395-026-520-202
30	59.31	52.71	44.70	40.64	4.45	EDC395302-ND	3.35	29.70	237.60	1080.00	395-030-520-202
36	66.93	60.33	52.32	48.26	4.45	EDC395362-ND†	8.25	73.15	585.20	2660.00	345-036-520-201
36	66.93	60.33	52.32	48.26	4.45	EDC395362-ND	3.53	31.35	250.80	1140.00	395-036-520-202
40	72.01	65.41	57.40	53.34	4.45	EDC395402-ND	3.72	33.00	264.00	1200.00	395-040-520-202
44	77.09	70.49	62.48	58.42	4.45	EDC395442-ND	3.91	34.65	277.20	1260.00	395-044-520-202
50	84.71	78.11	70.10	66.04	4.45	EDC395500-ND†	9.77	86.63	693.00	3150.00	395-050-520-201
50	84.71	78.11	70.10	66.04	4.45	EDC395500-ND	4.46	39.60	316.80	1440.00	395-050-520-202
56	92.33	85.73	77.72	73.66	4.45	EDC395562-ND	4.62	40.98	327.80	1490.00	395-056-520-202

‡ 4-40 Thread † No Mounting Lugs § Floating Eyelets

(Continued)

Digi-Reel® Most SMT cutdown parts are available on a Digi-Reel®. For Digi-Reel part number, change 1-ND to 6-ND or CT-ND to DKR-ND. See Digi-Key® Services on page 2 for additional information.

More Product Available Online: www.digikey.com



A

Table with columns: Contacts, Dimensions (mm) [A ±.38, B ±.20, C ±.38, D ±.15, E ±.51], Digi-Key Part No., Pricing (1, 10, 100, 500), EDAC Part No. Includes sections for .156" (3.96mm) Contact Centers, .125" (3.18mm) Contact Centers, .156" (3.96mm) Contact Centers, and .156" (3.96mm) Contact Centers.

Table with columns: Contacts, Contact Spacing (mm), Dimensions (mm) [C ±.38, D ±.15], Bus Style, Digi-Key Part No., Pricing (1, 10, 100, 500), EDAC Part No. Includes sections for Industry Standard Bus Systems and .156" (3.96mm) Contact Centers.

† 4-40 Thread † No Mounting Lugs § Floating Eyelets

FCI AirMax VS® High Speed Connector System



The AirMax VS connector is a revolutionary connector system that offers scalability, flexibility, high density and headroom in performance. "VS" stands for Virtual Shield as this technology requires no interleaving shields. The elimination of these shields results in lower cost, lower weight and offers greater flexibility.

- Features: • Shieldless connector system • High pin density per module • Designed to fit HM (hard metric) building practice • No pre-assigned ground pins • Excellent electrical performance • Low weight and low mating forces

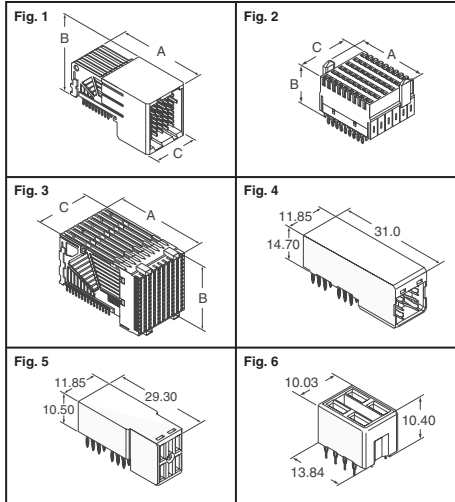


Table with columns: No. of Pos., No. of Pairs, Pitch Typ. (mm), Dimensions - Inch (mm) [A, B, C], Digi-Key Part No., Price Each (25, 100), FCI Part No. Includes sections for Right Angle Headers, Vertical Receptacles, Right Angle Receptacles, Right Angle Power Header, Right Angle Power Receptacle, Vertical Power Receptacle, and Accessories.

More Product Available Online: www.digkey.com
Toll-Free: 1-800-344-4539 • Phone 218-681-6674 • Fax: 218-681-3380