

SMP Blind-Mate Connectors

A

Emerson's new Johnson® line of SMP Blind-Mate Connectors offers a Micro-Miniature, Slide-On/Snap-On Interconnect System that aids in the design of high density packaging as well as axial and radial misalignment issues. The SMP

interface offers superior performance up to 40 GHz and is compatible with all SMP and GPO® Connectors. They offer high electrical reliability where extreme shock and vibration conditions are experienced.

Dim. in mm

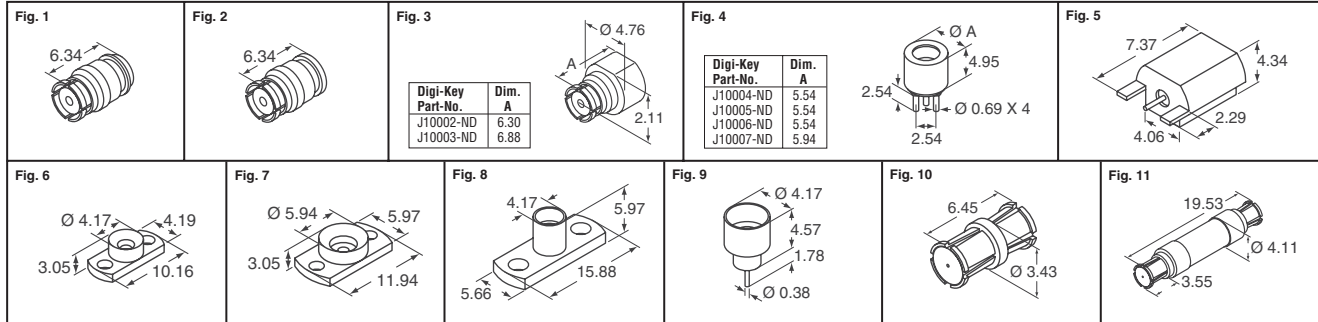


Fig	Description	Digi-Key Part No.	1	10	50	Johnson Part No.
1	Straight Solder Female M17/151	J10000-ND	15.08	13.23	11.37	127-0692-001
2	Straight Solder Female RG 405	J10001-ND	14.14	12.40	10.66	127-0693-001
3	Right Angle Solder Female M17/151	J10002-ND	22.62	19.84	17.06	127-0692-101
	Right Angle Solder Female RG 405	J10003-ND	18.85	16.53	14.21	127-0693-101
4	Receptacle Straight PC Mount Male Full Dent	J10004-ND	16.02	14.06	12.08	127-0701-201
	Receptacle Straight PC Mount Male Limited Dent	J10005-ND	16.02	14.06	12.08	127-1701-201
	Receptacle Straight PC Mount Male Smooth Bore	J10006-ND	16.02	14.06	12.08	127-2701-201
	Receptacle Straight PC Mount Male Catchers Mit	J10007-ND	16.02	14.06	12.08	127-3701-201
5	End launch Receptacle Male FD SMT	J10008-ND	16.02	14.06	12.08	127-0701-801
	End launch Receptacle Male LD SMT	J10009-ND	16.02	14.06	12.08	127-1701-801
	End launch Receptacle Male SB SMT	J10010-ND	16.02	14.06	12.08	127-2701-801
6	Flange Mount Male Shroud without Contact FD	J10011-ND	7.09	6.22	5.35	127-0701-602
	Flange Mount Male Shroud without Contact LD	J10012-ND	7.09	6.22	5.35	127-1701-602
	Flange Mount Male Shroud without Contact SB	J10013-ND	7.09	6.22	5.35	127-2701-602
7	Flange Mount Male CM without Contact	J10014-ND	7.54	6.62	5.69	127-3701-602
8	Flange Mount Male Field Receptacle FD	J10015-ND	23.56	20.67	17.77	127-0701-612
	Flange Mount Male Field Receptacle LD	J10016-ND	24.51	21.49	18.48	127-1701-612

Fig	Description	Digi-Key Part No.	1	10	50	Johnson Part No.
8	Flange Mount Male Field Receptacle SB	J10017-ND	24.51	21.49	18.48	127-2701-612
9	Hermetic Seal Male FD	J10018-ND	34.51	27.12	22.68	127-0711-601
	Hermetic Seal Male LD	J10019-ND	34.51	27.12	22.68	127-1711-601
	Hermetic Seal Male SB	J10020-ND	34.51	27.12	22.68	127-2711-601
10	Female-Female Bullet Adapter	J10021-ND	14.14	12.40	10.66	127-0901-811
11	Female-Female Adapter	J10022-ND	21.68	19.01	16.35	127-0901-811
	SMP Bullet Extraction Tool	J10023-ND	133.00	—	—	127-0000-900
	SMP Cabled Connector Removal Tool	J10024-ND	11.70	—	—	127-0000-901
	SMP Center Contact Holder	J10025-ND	6.38	—	—	127-0000-902
	SMP Interface Locator Tool	J10026-ND	15.96	—	—	127-0000-903
	SMP Right Angle Body Holder	J10027-ND	6.38	—	—	127-0000-904
	SMP FD Shroud Centering Tool	J10028-ND	6.38	—	—	127-0000-905
	SMP LD Shroud Centering Tool	J10029-ND	6.38	—	—	127-0000-906
	SMP SB Shroud Centering Tool	J10030-ND	6.38	—	—	127-0000-907
	Adapter Male CM/Male FD	J10031-ND	23.56	20.67	17.77	127-0901-822
	Adapter Male CM/Male LD	J10032-ND	23.56	20.67	17.77	127-1901-822
	Adapter Male CM/Male SB	J10033-ND	23.56	20.67	17.77	127-2901-822

Stainless Steel SMA Connectors

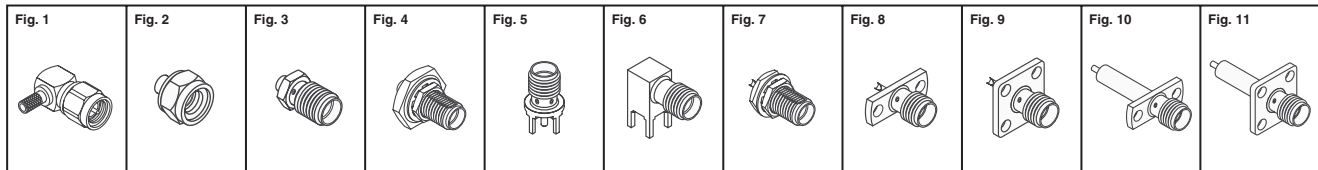


Fig.	Description	Cable Group	Digi-Key Part No.	1	10	50	Johnson Part No.
Plugs							
1	Right Angle Crimp	RG-316, 161/U, 174, 188	J879-ND	6.14	5.39	4.64	141-0403-102
		RG-316 DS, 188 DS	J880-ND	6.23	5.47	4.70	141-0404-112
		RG-58/U, 141, 303	J881-ND	6.41	5.62	4.83	141-0407-102
		RG-142, 55/U, 223, 400	J882-ND	6.23	5.47	4.70	141-0408-102
2	Straight Crimp	RG-316, 161/U, 174, 188, LMR-100, HPF-100, RF-100	J875-ND	5.62	4.93	4.24	141-0403-012
		RG-316 DS, 188 DS	J876-ND	5.62	4.93	4.24	141-0404-012
		RG-58/U, 141, 303, RF-195	J877-ND	5.53	4.85	4.17	141-0407-012
		LMR-195, HPF-195	J878-ND	5.62	4.93	4.24	141-0408-012
	Straight Solder	RG-405, .086 Semi-Rigid	J883-ND	4.39	3.85	3.31	141-0693-002
		RG-402, .141 Semi-Rigid	J884-ND	4.48	3.93	3.38	141-0694-002
		RG-405, .086 Semi-Rigid	J886-ND	5.62	4.93	4.24	141-0693-062
		RG-402, .141 Semi-Rigid	J887-ND	5.79	5.08	4.37	141-0694-062
		Solder without Contact	RG-402, .141 Semi-Rigid	J885-ND	3.07	2.70	2.32

Fig.	Description	Cable Group	Digi-Key Part No.	1	10	50	Johnson Part No.
Jacks							
3	Straight Solder	RG-405, .086 Semi-Rigid	J892-ND	4.48	3.93	3.38	141-0593-001
		RG-402, .141 Semi-Rigid	J893-ND	4.48	3.93	3.38	141-0594-001
4	Straight Crimp Type Bulkhead Jack	RG-316, 161/U, 174, 188	J888-ND	5.09	4.47	3.84	141-0303-412
		RG-316 DS, 188 DS	J889-ND	5.18	4.54	3.91	141-0304-412
	Bulkhead Solder	RG-58/U, 141, 303	J890-ND	7.46	6.55	5.63	141-0307-412
		RG-142, 55/U, 223, 400	J891-ND	7.46	6.55	5.63	141-0308-412
5	Bulkhead Solder	RG-405, .086 Semi-Rigid	J894-ND	7.02	6.16	5.30	141-0593-401
		RG-402, .141 Semi-Rigid	J895-ND	7.02	6.16	5.30	141-0594-401
		RG-405, .086 Semi-Rigid	J896-ND	8.78	7.70	6.62	141-0593-421
		RG-402, .141 Semi-Rigid	J897-ND	7.63	6.70	5.76	141-0594-421
6	Straight PCB	—	J898-ND	5.27	4.62	3.97	141-0701-201
7	Right Angle PCB	—	J899-ND	9.21	8.08	6.95	141-0701-301
8	Rear Mount Bulkhead Solder	—	J900-ND	5.79	5.08	4.37	141-0701-402
9	Vertical Flange Mount 2-Hole	—	J901-ND	9.67	8.48	7.29	141-0701-602
10	Vertical Flange Mount 4-Hole	—	J902-ND	9.44	8.28	7.12	141-0701-612
11	Vertical Flange Mount 2-Hole	—	J903-ND	10.01	8.78	7.55	141-0701-622
11	Vertical Flange Mount 4-Hole	—	J904-ND	9.78	8.58	7.38	141-0701-632

More Product Available Online: www.digikey.com