

Fig.	Type (Description)	Cable Group	Plating	Digi-Key Part No.	1	Price Each 10	50	Johnson Part No.
SMA Type								
1	Crimp	2*	Gold	J523-ND	13.27	11.64	10.01	142-0303-411
	Crimp	2*	Nickel	J524-ND	9.40	8.25	7.09	142-0303-416
2	Crimp	7Δ	Gold	J990-ND	7.44	6.53	5.61	142-0303-011
3	Crimp	2*	Gold	J525-ND	8.00	7.02	6.03	142-0403-011
	Crimp	2*	Nickel	J526-ND	5.41	4.75	4.08	142-0403-016
4	Solder	RG-402	Gold	J485-ND	2.65	2.32	2.00	142-0694-011
	Solder	RG-402	Nickel	J486-ND	2.17	1.91	1.64	142-0694-016
	Solder	RG-405	Gold	J487-ND	6.49	5.70	4.90	142-0693-001
	Solder	RG-405	Nickel	J488-ND	5.83	5.11	4.40	142-0693-006
	Solder	.086 Semi-Rigid	Nickel	J725-ND	6.88	6.04	5.19	142-0693-066
	Solder	.141 Semi-Rigid	Nickel	J726-ND	6.88	6.04	5.19	142-0694-066
5	Crimp	RG-178/U, 196	Gold	J605-ND	7.57	6.64	5.71	142-0402-011
	Crimp	4‡	Gold	J637-ND	8.20	7.20	6.19	142-0439-001
	Crimp	5‡‡	Gold	J638-ND	8.20	7.20	6.19	142-0435-001
	Crimp	9ΔΔΔ	Gold	J813-ND	7.41	6.51	5.59	142-0408-011
6	Clamp	2*	Gold	J474-ND	13.33	11.70	10.05	142-0203-011
	Clamp	3**	Nickel	J475-ND	12.17	10.68	9.18	142-0203-016
	Clamp	3**	Gold	J480-ND	21.37	18.74	16.11	142-0207-011
	Clamp	3**	Nickel	J481-ND	20.16	17.69	15.20	142-0207-016
7	Clamp	2*	Nickel	J477-ND	9.81	8.69	7.47	142-0203-006
	Clamp	3**	Nickel	J484-ND	11.13	9.76	8.39	142-0207-006
8	Crimp	2*	Gold	J510-ND	8.77	7.69	6.61	142-0403-101
	Crimp	4‡	Gold	J639-ND	11.53	10.12	8.70	142-0439-101
	Crimp	5‡‡	Gold	J640-ND	12.81	11.24	9.67	142-0435-101
	Crimp	8ΔΔ	Gold	J713-ND	11.83	10.38	8.93	142-0404-101
9	Crimp	9ΔΔΔ	Gold	J991-ND	7.92	6.95	5.98	142-0408-101
10	Solder	.086 Semi-Rigid	Gold	J606-ND	10.78	9.46	8.13	142-0693-101
	Solder	.141 Semi-Rigid	Gold	J607-ND	10.58	9.28	7.98	142-0694-101
11	Clamp	2*	Gold	J478-ND	14.61	12.82	11.02	142-0103-401
12	Panel Mt.	—	Gold	J490-ND	9.04	7.93	6.82	142-0701-401
13	Panel Mt.	—	Gold	J489-ND	8.20	7.20	6.19	142-0701-411
14	Flange Mt.	—	Gold	J492-ND	9.69	8.50	7.31	142-0701-621
15	Flange Mt.	—	Gold	J493-ND	6.64	5.82	5.01	142-0701-631
16	PC Mt.	—	Gold	J494-ND	12.34	10.83	9.31	142-0701-211
	PC Mt.	—	Nickel	J495-ND	7.83	6.96	5.98	142-0701-216
17	PC Mt.	—	Gold	J500-ND	5.52	4.85	4.17	142-0701-201
	PC Mt.	—	Nickel	J840-ND	5.43	4.77	4.10	142-0701-206
18	PC Mt.	—	Gold	J608-ND	8.50	7.45	6.41	142-0701-231
19	PC Mt.	—	Gold	J496-ND	13.94	12.23	10.52	142-0701-321
	PC Mt.	—	Nickel	J497-ND	12.59	11.04	9.49	142-0701-326
20	PC Mt.	—	Gold	J569-ND	18.10	15.87	13.65	142-0701-501
	PC Mt.	—	Nickel	J714-ND	17.29	15.17	13.04	142-0701-506
	PC Mt.	—	Gold	J715-ND	13.14	11.52	9.91	142-0701-551
21	PC Mt.	—	Gold	J501-ND	12.97	11.38	9.78	142-0701-301
	PC Mt.	—	Nickel	J988-ND	8.68	7.62	6.55	142-0701-306
22	.062" PC Mt.	—	Gold	J502-ND	6.03	5.29	4.55	142-0701-801
	.062" PC Mt.	—	Nickel	J716-ND	5.72	5.02	4.32	142-0701-806
	.062" PC Mt.	—	Gold	J629-ND	7.20	6.32	5.43	142-0711-821
	.031" PC Mt.	—	Gold	J657-ND	10.20	8.94	7.69	142-0701-881
	.062" PC Mt.	—	Gold	J658-ND	10.81	9.49	8.18	142-0701-851
	.042" PC Mt.	—	Gold	J630-ND	12.98	11.37	9.77	142-0701-841
23	.062" PC Mt.	—	Gold	J992-ND	6.01	5.28	4.54	142-0711-851
24	PC Mt.	—	Gold	J610-ND	12.22	10.72	9.22	142-0701-871
25	PC Mt.	—	Gold	J631-ND	9.36	8.21	7.06	142-0721-881
26	Crimp	4‡	Gold	J641-ND	12.68	11.13	9.57	142-0339-401
	Solder	.086 Semi-Rigid	Gold	J809-ND	14.64	12.84	11.04	142-0593-421
	Solder	.141 Semi-Rigid	Gold	J810-ND	14.64	12.84	11.04	142-0594-421
	Solder	.086 Semi-Rigid	Gold	J811-ND	18.19	15.95	13.72	142-0593-431
	Solder	.141 Semi-Rigid	Gold	J812-ND	18.19	15.95	13.72	142-0594-431
27	Solder	.086 Semi-Rigid	Nickel	J722-ND	4.94	4.34	3.73	142-0593-006
	Solder	.141 Semi-Rigid	Gold	J723-ND	7.71	6.76	5.82	142-0594-001
	Solder	.141 Semi-Rigid	Nickel	J724-ND	7.14	6.27	5.39	142-0594-006
	Solder	.086 Semi-Rigid	Gold	J727-ND	5.71	5.01	4.31	142-0593-001
28	50Ω Terminator	—	Gold	J634-ND	38.55	33.81	29.07	142-0801-861
29	Quick Connect	7Δ	Gold	J706-ND	27.57	24.18	20.79	142-1403-001
	Quick Connect	8ΔΔ	Gold	J707-ND	27.57	24.18	20.79	142-1404-001
	Quick Connect	3**	Gold	J708-ND	27.57	24.18	20.79	142-1407-001
	Quick Connect	9ΔΔΔ	Gold	J709-ND	27.57	24.18	20.79	142-1408-001
30	Adapter	—	Gold	J710-ND	41.35	36.27	31.18	142-1901-821
31	Slide-On	RG-405	Gold	J711-ND	7.32	6.42	5.52	142-0693-061
	Slide-On	RG-402	Gold	J712-ND	7.32	6.42	5.52	142-0694-061
	Solder	.141 Semi-Rigid	Gold	J814-ND	2.77	2.44	2.09	142-0694-021

Fig.	Type (Description)	Cable Group	Plating	Digi-Key Part No.	1	Price Each 10	50	Johnson Part No.
32	SMT	—	Gold	J717-ND	10.95	9.61	8.26	142-0711-301
33	SMT	—	Gold	J819-ND	5.38	4.72	4.06	142-0711-201
34	Edge Mt.	—	Gold	J799-ND	9.98	8.76	7.53	142-0761-841
	Edge Mt.	—	Gold	J805-ND	9.98	8.76	7.53	142-0761-861
35	Edge Mt.	—	Gold	J800-ND	9.98	8.76	7.53	142-0761-851
	Edge Mt.	—	Gold	J820-ND	7.63	6.70	5.76	142-0711-841
	Edge Mt.	—	Gold	J806-ND	9.98	8.76	7.53	142-0761-871
36	Edge Mt.	—	Gold	J802-ND	9.98	8.76	7.53	142-0761-891
	Edge Mt.	—	Gold	J808-ND	9.98	8.76	7.53	142-0771-831
37	PC Mt.	—	Gold	J797-ND	9.98	8.76	7.53	142-0761-801
	PC Mt.	—	Gold	J803-ND	9.98	8.76	7.53	142-0761-821
38	PC Mt.	—	Gold	J801-ND	13.24	11.61	9.98	142-0761-801
	PC Mt.	—	Gold	J807-ND	9.98	8.76	7.53	142-0771-821
39	PC Mt.	—	Gold	J804-ND	9.98	8.76	7.53	142-0761-831
40	PC Mt.	—	Gold	J798-ND	9.98	8.76	7.53	142-0761-811
SMB Type								
41	50Ω Terminator	—	Gold	J635-ND	17.34	15.21	13.08	131-3801-811
42	Crimp	2*	Nickel	J464-ND	6.19	5.43	4.67	131-1403-016
	Crimp	2*	Gold	J465-ND	9.17	8.05	6.92	131-1403-101
43	Crimp	2*	Nickel	J466-ND	7.71	6.76	5.81	131-1403-116
	Crimp	60	Nickel	J815-ND	5.62	4.93	4.24	131-1404-116
44	PC Mt.	—	Gold	J467-ND†	4.53	3.98	3.42	131-1701-201
	PC Mt.	—	Nickel	J468-ND†	3.13	2.75	2.37	131-1701-206
	PC Mt.	—	Nickel	J469-ND†	3.13	2.75	2.37	131-1701-216
45	PC Mt.	—	Gold	J613-ND†	2.55	2.24	1.93	131-3701-261
	PC Mt.	—	Nickel	J614-ND†	2.43	2.13	1.84	131-3701-266
	PC Mt.	—	Gold	J615-ND†	2.55	2.24	1.93	131-3701-271
	PC Mt.	—	Nickel	J616-ND†	2.43	2.13	1.84	131-3701-276
46	PC Mt.	—	Gold	J472-ND	8.37	7.34	6.31	131-3701-301
	PC Mt.	—	Gold	J818-ND	11.09	9.73	8.36	131-3701-301
47	PC Mt.	—	Gold	J470-ND	8.73	7.66	6.58	131-1701-371
	PC Mt.	—	Nickel	J471-ND	8.40	7.37	6.34	131-1701-376
48	Panel Mt.	—	Gold	J520-ND	8.53	7.49	6.44	131-3701-621
49	PC Mt.	—	Gold	J522-ND	10.75	9.44	8.11	131-3701-341
	PC Mt.	—	Gold	J719-ND	12.54	11.00	9.46	131-3701-501
50	PC Mt.	—	Gold	J718-ND	3.67	3.22	2.77	131-3701-201
	PC Mt.	—	Nickel	J817-ND	3.81	3.34	2.88	131-3701-206
51	SMT	—	Gold	J816-ND	5.99	5.25	4.52	131-3711-201
Non-Magnetic SMA Connectors								
4	Crimp	2*	Gold	J660-ND	15.44	13.54	11.64	142-9403-011
	Crimp	3**	Gold	J664-ND	16.73	14.67	12.62	142-9407-001
10	Crimp	2*	Gold	J662-ND	23.16	20.31	17.46	142-9403-101
	Crimp	60	Gold	J663-ND	21.21	18.72	16.00	142-9404-101
	Crimp	3**	Gold	J665-ND	23.80	20.88	17.95	142-9407-101
18	PC Mt.	—	Gold	J666-ND	11.14	9.77	8.40	142-9701-201
22	PC Mt.	—	Gold	J669-ND	13.25	11.63	10.00	142-9701-801
	PC Mt.	—	Gold	J670-ND	13.25	11.63	10.00	142-9701-811
Non-Magnetic SMB Connectors								
42	Crimp	2*	Gold	J671-ND	18.60	16.31	14.02	131-9403-001
44	PC Mt.	—	Gold	J675-ND	11.07	9.71	8.35	131-9701-201
	PC Mt.	—	Gold	J676-ND	11.07	9.71	8.35	131-9701-211
46	PC Mt.	—	Gold	J677-ND	19.67	17.25	14.83	131-9

SMP Blind-Mate Connectors

A

Emerson's new Johnson® line of SMP Blind-Mate Connectors offers a Micro-Miniature, Slide-On/Snap-On Interconnect System that aids in the design of high density packaging as well as axial and radial misalignment issues. The SMP

interface offers superior performance up to 40 GHz and is compatible with all SMP and GPO® Connectors. They offer high electrical reliability where extreme shock and vibration conditions are experienced.

Dim. in mm

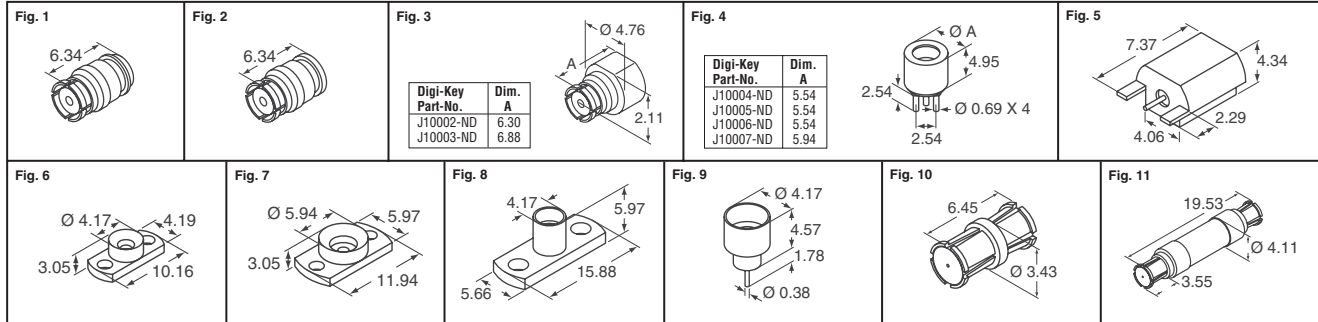


Fig	Description	Digi-Key Part No.	1	10	50	Johnson Part No.
1	Straight Solder Female M17/151	J10000-ND	15.08	13.23	11.37	127-0692-001
2	Straight Solder Female RG 405	J10001-ND	14.14	12.40	10.66	127-0693-001
3	Right Angle Solder Female M17/151	J10002-ND	22.62	19.84	17.06	127-0692-101
	Right Angle Solder Female RG 405	J10003-ND	18.85	16.53	14.21	127-0693-101
4	Receptacle Straight PC Mount Male Full Dent	J10004-ND	16.02	14.06	12.08	127-0701-201
	Receptacle Straight PC Mount Male Limited Dent	J10005-ND	16.02	14.06	12.08	127-1701-201
	Receptacle Straight PC Mount Male Smooth Bore	J10006-ND	16.02	14.06	12.08	127-2701-201
	Receptacle Straight PC Mount Male Catchers Mit	J10007-ND	16.02	14.06	12.08	127-3701-201
5	End launch Receptacle Male FD SMT	J10008-ND	16.02	14.06	12.08	127-0701-801
	End launch Receptacle Male LD SMT	J10009-ND	16.02	14.06	12.08	127-1701-801
	End launch Receptacle Male SB SMT	J10010-ND	16.02	14.06	12.08	127-2701-801
6	Flange Mount Male Shroud without Contact FD	J10011-ND	7.09	6.22	5.35	127-0701-602
	Flange Mount Male Shroud without Contact LD	J10012-ND	7.09	6.22	5.35	127-1701-602
	Flange Mount Male Shroud without Contact SB	J10013-ND	7.09	6.22	5.35	127-2701-602
7	Flange Mount Male CM without Contact	J10014-ND	7.54	6.62	5.69	127-3701-602
8	Flange Mount Male Field Receptacle FD	J10015-ND	23.56	20.67	17.77	127-0701-612
	Flange Mount Male Field Receptacle LD	J10016-ND	24.51	21.49	18.48	127-1701-612

Fig	Description	Digi-Key Part No.	1	10	50	Johnson Part No.
8	Flange Mount Male Field Receptacle SB	J10017-ND	24.51	21.49	18.48	127-2701-612
9	Hermetic Seal Male FD	J10018-ND	34.51	27.12	22.68	127-0711-601
	Hermetic Seal Male LD	J10019-ND	34.51	27.12	22.68	127-1711-601
	Hermetic Seal Male SB	J10020-ND	34.51	27.12	22.68	127-2711-601
10	Female-Female Bullet Adapter	J10021-ND	14.14	12.40	10.66	127-0901-811
11	Female-Female Adapter	J10022-ND	21.68	19.01	16.35	127-0901-811
—	SMP Bullet Extraction Tool	J10023-ND	133.00	—	—	127-0000-900
	SMP Cabled Connector Removal Tool	J10024-ND	11.70	—	—	127-0000-901
	SMP Center Contact Holder	J10025-ND	6.38	—	—	127-0000-902
	SMP Interface Locator Tool	J10026-ND	15.96	—	—	127-0000-903
	SMP Right Angle Body Holder	J10027-ND	6.38	—	—	127-0000-904
	SMP FD Shroud Centering Tool	J10028-ND	6.38	—	—	127-0000-905
	SMP LD Shroud Centering Tool	J10029-ND	6.38	—	—	127-0000-906
	SMP SB Shroud Centering Tool	J10030-ND	6.38	—	—	127-0000-907
	Adapter Male CM/Male FD	J10031-ND	23.56	20.67	17.77	127-0901-822
	Adapter Male CM/Male LD	J10032-ND	23.56	20.67	17.77	127-1901-822
	Adapter Male CM/Male SB	J10033-ND	23.56	20.67	17.77	127-2901-822

Stainless Steel SMA Connectors

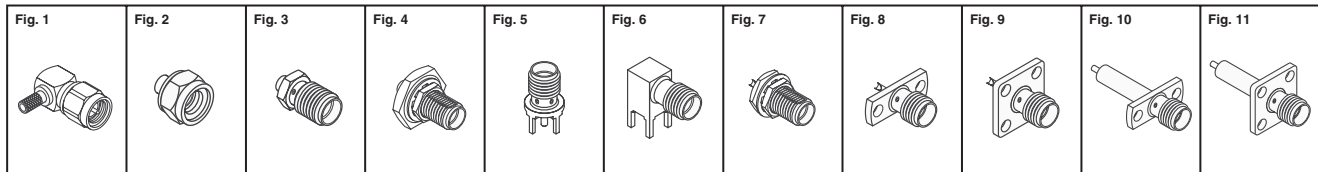


Fig.	Description	Cable Group	Digi-Key Part No.	1	10	50	Johnson Part No.
Plugs							
1	Right Angle Crimp	RG-316, 161/U, 174, 188	J879-ND	6.14	5.39	4.64	141-0403-102
		RG-316 DS, 188 DS	J880-ND	6.23	5.47	4.70	141-0404-112
		RG-58/U, 141, 303	J881-ND	6.41	5.62	4.83	141-0407-102
		RG-142, 55/U, 223, 400	J882-ND	6.23	5.47	4.70	141-0408-102
2	Straight Crimp	RG-316, 161/U, 174, 188, LMR-100, HPF-100, RF-100	J875-ND	5.62	4.93	4.24	141-0403-012
		RG-316 DS, 188 DS	J876-ND	5.62	4.93	4.24	141-0404-012
		RG-58/U, 141, 303, RF-195, LMR-195, HPF-195	J877-ND	5.53	4.85	4.17	141-0407-012
		RG-142, 55/U, 223, 400	J878-ND	5.62	4.93	4.24	141-0408-012
—	Straight Solder	RG-405, .086 Semi-Rigid	J883-ND	4.39	3.85	3.31	141-0693-002
		RG-402, .141 Semi-Rigid	J884-ND	4.48	3.93	3.38	141-0694-002
		RG-405, .086 Semi-Rigid	J886-ND	5.62	4.93	4.24	141-0693-062
		RG-402, .141 Semi-Rigid	J887-ND	5.79	5.08	4.37	141-0694-062
		Solder without Contact	RG-402, .141 Semi-Rigid	J885-ND	3.07	2.70	2.32

Fig.	Description	Cable Group	Digi-Key Part No.	1	10	50	Johnson Part No.
Jacks							
3	Straight Solder	RG-405, .086 Semi-Rigid	J892-ND	4.48	3.93	3.38	141-0593-001
		RG-402, .141 Semi-Rigid	J893-ND	4.48	3.93	3.38	141-0594-001
4	Straight Crimp Type Bulkhead Jack	RG-316, 161/U, 174, 188	J888-ND	5.09	4.47	3.84	141-0303-412
		RG-316 DS, 188 DS	J889-ND	5.18	4.54	3.91	141-0304-412
	Bulkhead Solder	RG-58/U, 141, 303	J890-ND	7.46	6.55	5.63	141-0307-412
		RG-142, 55/U, 223, 400	J891-ND	7.46	6.55	5.63	141-0308-412
—	Bulkhead Solder	RG-405, .086 Semi-Rigid	J894-ND	7.02	6.16	5.30	141-0593-401
		RG-402, .141 Semi-Rigid	J895-ND	7.02	6.16	5.30	141-0594-401
		RG-405, .086 Semi-Rigid	J896-ND	8.78	7.70	6.62	141-0593-421
		RG-402, .141 Semi-Rigid	J897-ND	7.63	6.70	5.76	141-0594-421
5	Straight PCB	—	J898-ND	5.27	4.62	3.97	141-0701-201
6	Right Angle PCB	—	J899-ND	9.21	8.08	6.95	141-0701-301
7	Rear Mount Bulkhead Solder	—	J900-ND	5.79	5.08	4.37	141-0701-402
8	Vertical Flange Mount 2-Hole	—	J901-ND	9.67	8.48	7.29	141-0701-602
9	Vertical Flange Mount 4-Hole	—	J902-ND	9.44	8.28	7.12	141-0701-612
10	Vertical Flange Mount 2-Hole	—	J903-ND	10.01	8.78	7.55	141-0701-622
11	Vertical Flange Mount 4-Hole	—	J904-ND	9.78	8.58	7.38	141-0701-632

More Product Available Online: www.digikey.com