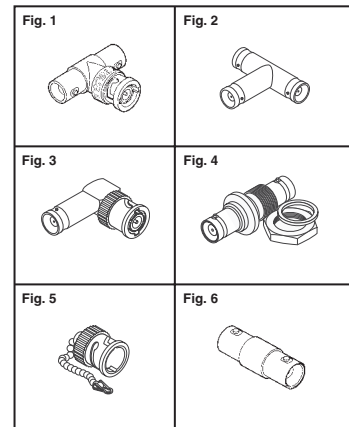


A

Fig.	Description	Body Material and Plating	Center Contact Material and Plating	Digi-Key Part No.	Price Each 1	25	AMP Part No.
1	Tee, Jack-Plug-Jack	Brass, Nickel	BE CU, Gold (30µ)	A24549-ND◆	17.15	14.75	221543-2
	Tee, Jack-Plug-Jack	Zinc, Nickel	PH BR, Gold (15µ)	A24550-ND	7.65	6.58	413592-2
	Tee, Jack-Plug-Jack	Zinc, Nickel	PH BR, Gold (15µ)	A32524-ND◆	6.58	5.66	5413592-2
	Tee, Jack-Plug-Jack	Zinc, Nickel	BE CU, Gold (30µ)	A24551-ND	9.85	8.48	413592-6
	Tee, Jack-Plug-Jack	Zinc, Nickel	BE CU, Gold (30µ)	A33800-ND◆	8.48	7.29	5413592-6
	Tee, Jack-Jack-Jack	Brass, Nickel	BE CU, Silver (200µ)	A24553-ND◆	18.20	15.66	221988-1
2	Right Angle, Jack-Plug	Nickel	Silver	A24554-ND	22.90	19.70	329517
	Right Angle, Jack-Plug	Nickel	Silver	A33801-ND◆	21.43	18.43	5329517
3	Bulkhead Jack, Jack-Jack	Nickel	Silver	A24556-ND◆	20.05	17.25	330024
	Bulkhead Jack, Jack-Jack	Nickel	Gold (50µ)	A24557-ND	7.95	6.84	228226-1
	Bulkhead Jack, Jack-Jack	Nickel	Gold (50µ)	A33802-ND◆	7.15	6.15	5228226-1
	Bulkhead Jack, Jack-Jack	Nickel	Gold (15µ)	A24558-ND	6.88	5.92	228226-3
	Bulkhead Jack, Jack-Jack	Nickel	Gold (15µ)	A33803-ND◆	5.90	5.08	5228226-3
	Jack Covers	Silver	—	A24559-ND◆	7.00	6.02	330022
4	Feed-Thru, Jack-Jack	Nickel	Silver	A24560-ND◆	8.43	7.25	221551-1
	Feed-Thru, Jack-Jack	Nickel	Gold	A24561-ND◆	8.93	7.68	221551-3
	Feed-Thru, Jack-Jack	Nickel	Gold	A33804-ND◆	3.63	3.12	5414414-1
Zinc Die Cast — RoHS Compliant							
1	Tee, Jack-Plug-Jack	Zinc, Nickel	Brass, Gold	A97571-ND	2.58	2.22	5-1634532-1
2	Tee, Jack-Plug-Jack	Zinc, Nickel	Phosphor Bronze, Gold	A97572-ND	3.25	2.80	5-1634535-1
3	Right Angle, Jack-Plug	Zinc, Nickel	Phosphor Bronze, Gold	A97568-ND	3.90	3.36	5-1634526-1
4	Bulkhead Jack, Jack-Jack	Zinc, Nickel	Phosphor Bronze, Gold	A97547-ND†	2.90	2.50	5-1634530-1
6	Straight, Jack-Jack	Zinc, Nickel	Phosphor Bronze, Gold	A97575-ND	2.18	1.88	5-1634534-1

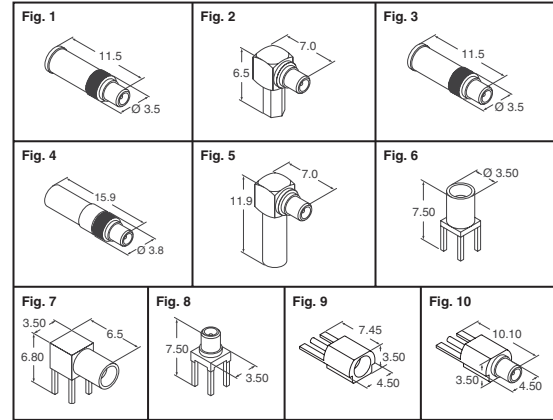
◆ RoHS Compliant † Recommended nut (A97566-ND) and lockwasher (A97567-ND).



MMCX Connectors



Fig.	Description	Digi-Key Part No.	1	25	50	AMP Part No.
Semi-Rigid Cable - Direct Solder Attachment						
1	Straight Cable Plug - RG 405	A30732-ND	6.73	144.59	255.55	1408313-1
2	Right Angle Cable Plug - RG 405	A30733-ND	8.00	172.00	304.00	1408314-1
Flexible Cable - Crimp Attachment						
3	Straight Cable Plug - RG 178, 196	A30734-ND	6.73	144.59	255.55	1408148-1
4	Straight Cable Plug - RG 174, 188, 316	A30735-ND	6.73	144.59	255.55	1408312-1
	Straight Cable Plug - RD 316	A30736-ND	6.73	144.59	255.55	1408312-2
5	Right Angle Cable Plug - RG 178, 196	A30737-ND	8.00	172.00	304.00	1408149-1
	Right Angle Cable Plug - RG 174, 188, 316	A30738-ND	8.00	172.00	304.00	1408149-2
	Right Angle Cable Plug - RD 316	A30739-ND	8.00	172.00	304.00	1408149-3
Printed Circuit Board						
6	Straight Jack Receptacle	A30740-ND	6.88	147.81	261.25	1408150-1
7	Right Angle Jack Receptacle	A30741-ND	8.35	179.53	317.30	1408151-1
8	Straight Plug Receptacle	A30742-ND	8.00	172.00	304.00	1408496-1
Edge Mount						
9	Straight Jack Receptacle	A30743-ND	8.18	175.76	310.65	1408152-1
10	Straight Plug Receptacle	A30744-ND	10.45	224.68	397.10	1408120-1
Crimp Tool						
—	Die Set to use with A9996-ND	A30731-ND	265.13	—	—	1583696-1
—	Pro-Crimper Hand Tool	A9996-ND	66.00	—	—	354940-1

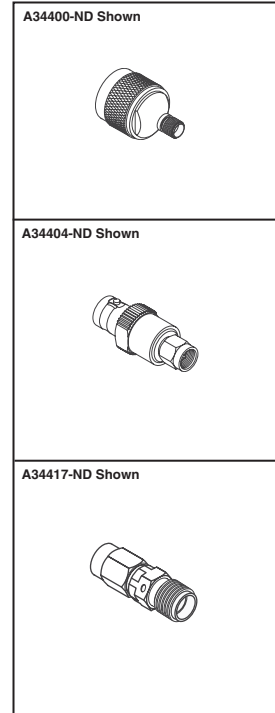


Between Series Adapters



Description	Contact Finish	Shell (Body) Finish	Digi-Key Part No.	1	Price Each 50	100	AMP Part No.
SMA Plug to N Jack	Copper	Gold	A34406-ND	67.75	51.49	46.07	1057381-1
SMA Plug to N Plug	Copper	Gold	A34410-ND	58.88	44.75	40.04	1057367-1
SMA Plug to SMB Jack	Copper	Gold	A34424-ND	45.38	34.49	30.86	1060487-1
SMA Jack to N Jack	Copper	Gold	A34409-ND	75.65	57.50	51.45	1057341-1
SMA Jack to N Jack	Copper	Gold	A34415-ND†	84.03	63.86	57.14	1058651-1
SMA Jack to N Jack Square Flange	Copper	Gold	A34419-ND	105.75	80.37	71.91	1058653-1
SMA Jack to N Jack Bulkhead	Brass	Gold	A34411-ND	70.80	53.66	48.01	1057463-1
SMA Jack to N Jack Bulkhead	Copper	Gold	A34412-ND	112.48	85.49	76.49	1058675-1
SMA Jack to OSP Plug Bulkhead	Copper	Gold	A34403-ND	51.93	39.47	35.31	1059756-1
SMA Jack to OSP Jack Panel	Copper	Gold	A34407-ND	85.08	64.66	57.86	1059731-1
SMA Jack to OSP Jack Panel	Copper	Gold	A34422-ND	74.65	56.74	50.77	1059724-1
SMA Jack to OSP Jack Bulkhead	Copper	Gold	A34430-ND	61.15	46.48	41.59	1059729-1
SMA Jack to OSP Jack Bulkhead	Copper	Gold	A34431-ND	80.25	60.99	54.57	1059733-1
SMA Jack to OSSP Jack	Copper	Gold	A34432-ND	109.30	83.07	74.33	1059928-1
SMA Jack to OSP Plug	Copper	Gold	A34420-ND	31.18	23.70	21.20	1059716-1
SMA Jack to OSSM Plug	Copper	Gold	A34417-ND	40.68	30.92	27.66	1053770-1
SMA Jack to OSMT Jack	Copper	Gold	A34423-ND	102.95	78.25	70.01	1055694-1
SMA Jack to SMC Jack	Copper	Gold	A34436-ND	48.00	36.48	32.64	1060266-1
SMA Jack to TNC Jack Square Flange	Copper	Gold	A34427-ND†	116.95	88.89	79.53	1058755-1
SMA Jack to TNC Jack Bulkhead	Copper	Gold	A34428-ND	190.05	144.44	129.24	1058800-1
SMA Jack to TNC Jack Bulkhead	Copper	Gold	A34438-ND	189.93	144.35	129.15	1059172-1
SMB Plug to BNC Jack	Copper	Gold	A34433-ND	53.60	40.74	36.45	1058077-1
SMB Plug to SMA Jack	Copper	Gold	A34414-ND	56.13	42.66	38.17	1060498-1
SMC Plug to SMA Jack	Copper	Gold	A34429-ND	53.68	40.80	36.50	1060272-1
BNC Jack to SMA Jack	Copper	Gold	A34418-ND	35.05	26.64	23.84	1058058-1
BNC Jack to SMA Jack Bulkhead	Copper	Gold	A34402-ND	47.50	36.10	32.30	1058117-1
BNC Jack to SMA Plug	Copper	Gold	A34404-ND	36.78	27.95	25.01	1058083-1
BNC Plug to N Jack	Brass	Gold	A34435-ND	124.18	94.38	84.44	1057392-1
BNC Plug to SMA Jack	Copper	Gold	A34405-ND	34.85	26.49	23.70	1058081-1
TNC Jack to SMA Jack Square Flange	Copper	Gold	A34408-ND	74.23	56.42	50.48	1057841-1
TNC Jack to SMA Jack Bulkhead	Copper	Gold	A34416-ND	127.73	97.08	86.86	1057908-1
TNC Plug to SMA Jack	Copper	Gold	A34413-ND	50.08	38.06	34.06	1057853-1
N Plug to SMA Jack	Copper	Gold	A34400-ND	58.75	44.65	39.95	1057377-1
N Jack to SMA Jack Square Flange	Copper	Gold	A34401-ND	82.25	62.51	55.93	1057343-1
N Jack to SMA Plug	Copper	Gold	A34421-ND†	96.65	73.46	65.73	1058664-1
N Jack to TNC Plug	Copper	Gold	A34425-ND†	117.23	89.10	79.72	1058671-1
N Jack to SMA Plug Square Flange	Copper	Gold	A34426-ND	80.80	61.41	54.95	1057385-1
N Plug to BNC Jack	Brass	Gold	A34434-ND	93.95	71.41	63.89	1057390-1
N Plug to TNC Plug	Brass	Gold	A34437-ND†	104.48	79.41	71.05	1058662-1

† High Frequency



More Product Available Online: www.digkey.com

Toll-Free: 1-800-344-4539 • Phone 218-681-6674 • Fax: 218-681-3380