

D-Sub Hardware

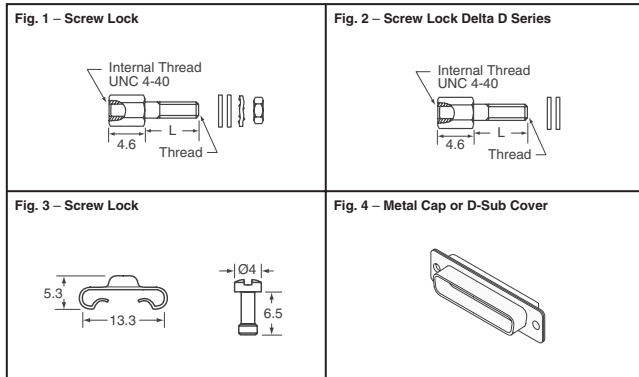


Fig.	Type	No. of Contacts	Dim. L (mm)	Thread	Digi-Key Part No.	1	25	100	FCI Part No.
1	Female	—	8.30	M3	609-1422-ND	.89	.46	.39	863001TLF
	Female	—	8.30	M3	609-1446-ND	.89	.46	.39	86552153TLF
	Female	—	6.30	M3	609-1417-ND	.83	.41	.35	863001017TLF
	Female	—	13.0	M3	609-1421-ND	.83	.41	.35	863001061TLF
	Female	—	8.30	UNC 4.40	609-1420-ND	.94	.47	.40	863001060TLF
2	Female	—	8.30	M3	609-1443-NDΔ	.52	.26	.21	86551007TLF
	Female	—	8.30	UNC 4.40	609-1444-NDΔ	.52	.26	.21	86551009TLF
	Female	—	4.50	M3	609-1445-NDΔ	.70	.35	.29	86551167TLF
2	Female	—	4.5	M3	609-1418-ND	.68	.33	.28	863001018TLF
	Female	—	4.5	UNC 4.40	609-1419-ND	.68	.33	.28	863001019TLF
3	Male	—	—	UNC 4.40	609-1423-ND	1.16	.65	.54	863005ATLF
4	Male	9	—	—	609-1447-ND	2.20	1.31	1.16	86553113TLF
	Female	9	—	—	609-1450-ND	2.23	1.32	1.17	86553148TLF
	Male	15	—	—	609-1448-ND	2.29	1.36	1.21	86553114TLF
	Female	15	—	—	609-1451-ND	2.28	1.37	1.20	86553149TLF
	Male	25	—	—	609-1449-ND	2.87	1.76	1.53	86553115TLF
Female	25	—	—	609-1452-ND	2.96	1.82	1.58	86553150TLF	

Δ Hardware not included

D-Sub Backshells

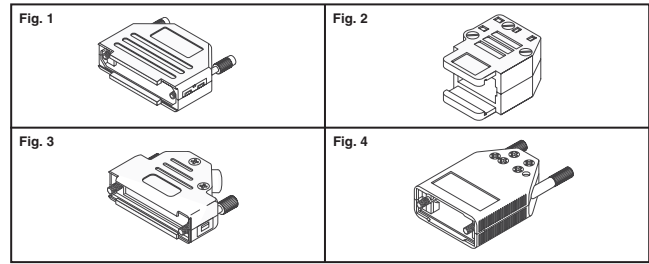


Fig.	No. of Pins	Type	Digi-Key Part No.	Price Each	FCI Part No.			
				1	25	100		
1	9	Black Plastic Hood	609-1424-ND	1.89	1.12	.97	86303637BLF	
	15		609-1425-ND	1.98	1.17	1.01	86303638BLF	
	25		609-1426-ND	2.07	1.19	1.06	86303639BLF	
	37		609-1427-ND	2.39	1.44	1.25	86303640BLF	
	50		609-1428-ND	4.18	2.57	2.23	86303641BLF	
2	9	Black Plastic Hood	609-1429-ND	2.60	1.55	1.38	863093C09ALF	
	15		609-1431-ND	2.63	1.57	1.40	863093C15ALF	
	25		609-1433-ND	2.16	1.28	1.14	863093C25ALF	
	37		609-1435-ND	2.77	1.70	1.53	863093C37ALF	
	50		609-1436-ND	3.26	2.02	1.78	863093C50ALF	
3	9	Plastic Metalized Hood	609-1430-ND	4.18	2.60	2.36	863093C09MLF	
	15		609-1432-ND	4.25	2.74	2.43	863093C15MLF	
	25		609-1434-ND	5.13	3.17	2.79	863093C25MLF	
	9		Black Plastic Hood	609-1462-ND	2.90	1.78	1.60	8655PHRA0901LF
	15			609-1463-ND	3.04	1.88	1.66	8655PHRA1501LF
25	609-1464-ND	3.42		2.11	1.86	8655PHRA2501LF		
37	609-1465-ND	4.04		2.51	2.27	8655PHRA3701LF		
4	9	Shielded Metal Hood	609-1458-ND	4.91	3.07	2.81	8655MHRA0901LF	
	15		609-1459-ND	5.22	3.48	3.12	8655MHRA1501LF	
	25		609-1460-ND	5.43	3.62	3.24	8655MHRA2501LF	
	37		609-1461-ND	6.42	4.27	3.83	8655MHRA3701LF	
	9		Shielded Metal Hood	609-1453-ND†	6.50	4.50	3.98	8655MH0911LF
15	609-1454-ND†	7.18		4.88	4.40	8655MH1511LF		
25	609-1455-ND†	7.93		5.40	4.76	8655MH2511LF		
37	609-1456-ND†	8.36		5.93	5.23	8655MH3711LF		
50	609-1457-ND†	13.75	10.01	9.07	8655MH5011LF			

† Two Part Hoods

Combo D-Sub Connectors

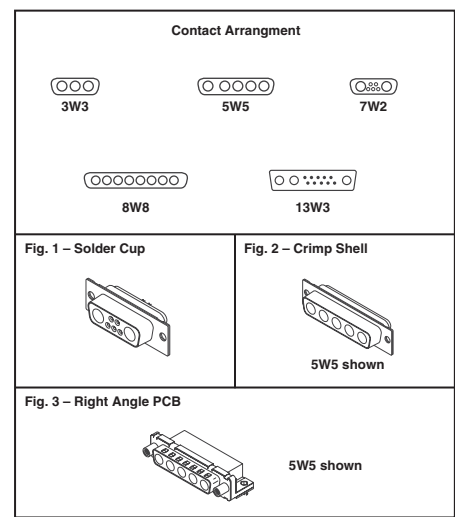
Power contacts sold separately.

Fig.	Contact Arrangement	Type	Digi-Key Part No.	1	25	100	FCI Part No.
<b>Solder Cup</b>							
1	7W2	Male	609-1516-ND	4.69	2.94	2.69	DA7W2PA00LF
	7W2	Female	609-1517-ND	5.25	3.34	3.06	DA7W2SA00LF
<b>Crimp Shell</b>							
2	3W3	Male	609-1514-ND	1.89	1.09	.94	DA3W3PA00LF
	3W3	Female	609-1515-ND	1.80	1.00	.88	DA3W3SA00LF
	5W5	Male	609-1520-ND	2.34	1.41	1.23	DB5W5PA00LF
	5W5	Female	609-1521-ND	2.34	1.41	1.23	DB5W5SA00LF
	8W8	Male	609-1522-ND	2.59	1.56	1.36	DC8W8PA00LF
	8W8	Female	609-1523-ND	2.59	1.56	1.36	DC8W8SA00LF
<b>Right Angle PCB</b>							
3	3W3	Male	609-2824-NDΔ	3.57	2.43	2.15	D3W3P36A6GL08LF
	3W3	Male	609-2825-ND0	7.71	5.25	4.63	D3W3P36A6GV08LF
	3W3	Male	609-2826-ND†	7.86	5.35	4.72	D3W3P36A6GX08LF
	5W5	Male	609-2834-ND0†	13.10	9.50	8.45	D5W5P36A6GV08LF
	5W5	Male	609-2829-ND†	8.03	5.70	5.03	D5W5P36A6GX08LF
	13W3	Female	609-2819-ND†	7.45	5.16	4.57	D13W3S17B5GX3CLF

Δ M3 Insert † 4-40 Insert 0 4-40 Female Screwlock

Power Contacts

Wire Size	Type	Digi-Key Part No.	1	25	100	FCI Part No.
8	Male	609-1439-ND	3.15	1.95	1.72	8638PPS4005LF
	Female	609-1442-ND	3.69	2.30	2.08	8638PSS4005LF
12	Male	609-1438-ND	2.41	1.45	1.27	8638PPS2005LF
	Female	609-1441-ND	3.75	2.33	2.11	8638PSS2005LF
16	Male	609-1437-ND	3.66	2.26	1.99	8638PPS1005LF
	Female	609-1440-ND	4.31	2.68	2.43	8638PSS1005LF



EDAC INC D-Sub Right Angle Ultra Slim VGA Connector

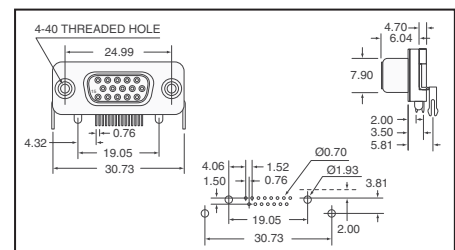
Materials and Finish:

• Steel, Nickel plated • Insulator, Nylon 6T, Color Pantone Blue #2935U • Contacts: Phosphor Bronze, Gold plated on contact area Tin on tails over Nickel • Board Locks, Brass Tin plated • Rivets, Brass Nickel plated

Specifications:

• Current Rating: 1 Amp max. • Insulation Resistance: 1,000 MΩ min. at 500VDC • DWD: 500VAC RMS for 1 minute • Contact Resistance: 30 mΩ max. • Temperature Rating: -40°C ~ 230°C

Contacts	Type	Digi-Key Part No.	1	10	100	EDAC Part No.
15	Female	151-1117-ND	1.83	1.63	1.30	634-015-274-990



More Product Available Online: [www.digikey.com](http://www.digikey.com)

Toll-Free: 1-800-344-4539 • Phone 218-681-6674 • Fax: 218-681-3380