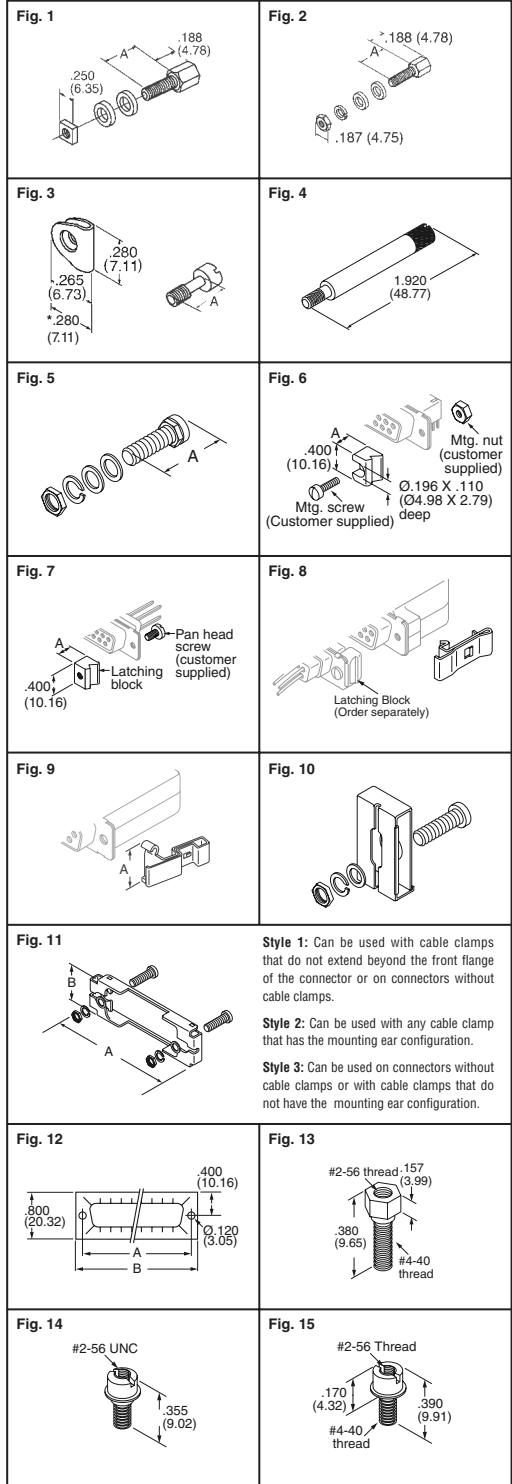


AMPLIMITE®
Accessories / Hardware (Sold in Packages of 2 unless otherwise noted)



Description	Digi-Key Part No.	Pricing		AMP Part No.
		10	50	
Flat Washer #4	A35229-ND	.35	1.46	5205820-2
Hex Nut 4-40	A35230-ND	.68	2.82	5205821-2

Fig.	Conn. Used w/ AMP Series	Finish	Thread	Dimension A Inch (mm)	Digi-Key Part No.	Price Each 1 25	AMP Part No.
Female Screw Locks - Steel, Zinc Plated							
RoHS Compliant							
1	HD Plastic	Yellow Chromate	4-40	.250 (6.35)	A33684-ND	1.79 1.49	5207952-1
2	HDE	Yellow Chromate	4-40	.250 (6.35)	A33685-ND	2.13 1.78	5745563-1
	HDE	Clear Chromate	4-40	.250 (6.35)	A33686-ND	1.90 1.59	5745563-3
	HDP/HDF	Yellow Chromate	4-40	.312 (7.92)	A33687-ND	1.94 1.62	5205817-3
	HDP/HDF	Clear Chromate	4-40	.312 (7.92)	A32020-ND	1.86 1.55	5205817-3
	HDP/HDF	Yellow Chromate	4-40, MIL-C24308	.312 (7.92)	A33688-ND	.95 .80	5205817-8
2	HD/HDF	Yellow Chromate	4-40	.560 (14.22)	A33689-ND	1.89 1.58	5207719-1
	HD/HDF	Clear Chromate	4-40	.560 (14.22)	A32023-ND	1.83 1.53	5207719-3
	HD/HDF	Clear Chromate	2-56 Male (4-40 Female)	.560 (14.22)	A32026-ND	3.12 2.60	5747223-3
Individual Screwlocks - Steel, Zinc Plated (washers and nuts not included)							
1	HD	Clear Chromate	4-40	.250 (6.35)	A23426-ND	1.77 1.48	207952-3
2	HDP/HDF	Clear Chromate	4-40	.312 (7.92)	A23431-ND†	2.31 1.93	748558-4
RoHS Compliant							
1	HD	Clear Chromate	4-40	.250 (6.35)	A33690-ND	1.71 1.43	5207952-3
2	HDP/HDF	Clear Chromate	M2.6 (Metric), Female (4-40 Male)	.312 (7.92)	A33691-ND	1.44 1.20	5749765-3
	HDP/HDF	Yellow Chromate	4-40	.312 (7.92)	A33692-ND	1.09 .91	5748270-2
	HDP/HDF	Clear Chromate	4-40	.312 (7.92)	A33693-ND†	2.16 1.80	5748558-4
	HDP/HDF	Clear Chromate	4-40	.312 (7.92)	A35225-NDA	2.85 2.38	5748558-3
	HDP/HDF	Clear Chromate	M3 Female (4-40 Male)	.312 (7.92)	A35223-ND	2.28 1.90	5747404-3
HDP/HDF	Clear Chromate	4-40	.185 (4.70)	A35224-ND	.62 .53	5747877-3	
Male Screw Retainers for Plastic Shell Connectors - Steel, Zinc Plated (material)							
RoHS Compliant							
3	HDE	Yellow Chromate	4-40	.220 (5.59)	A33694-ND	1.08 .99	5745647-1
Male Screw Retainers for Metal Shell Connectors - Steel, Zinc Plated (material)							
RoHS Compliant							
3	HDE/HDP	Yellow Chromate	4-40	.220 (5.59)	A33695-ND	.68 .57	5205980-1
		Clear Chromate	4-40	.220 (5.59)	A32021-ND	.80 .68	5205980-4
		Yellow Chromate	4-40	.200 (5.08)	A33696-ND	1.53 1.28	5745136-1
Male Screw Retainers for Metal and Plastic Shell Connectors - Steel, Zinc Plated (material)							
RoHS Compliant							
3	HDF	Clear Chromate	4-40	.300 (7.62)	A35222-ND*	2.29 1.91	5746881-2
Male Jack Screw - Steel, Zinc Plated							
RoHS Compliant							
4	HDE/HDP	Clear Chromate	4-40	—	A23593-ND†	3.08 2.57	747784-3
Locking Post Assembly - Steel, Zinc Plated (2 complete assemblies)							
5	HDF/HDP	Yellow Chromate	4-40	.560 (14.22)	A23440-ND	3.21 2.68	206514-6
RoHS Compliant							
5	HD/HDE	Yellow Chromate	4-40	.410 (10.41)	A32022-ND	2.84 2.37	5206514-1
	HDF/HDP	Yellow Chromate	4-40	.560 (14.22)	A33697-ND	3.03 2.53	5206514-6

† Bulk packed and with captivated star washer; no additional hardware included
 Δ Parts packaged as a unit kit with captivated star washer; no additional hardware included

Fig.	No. of Positions	Description	Thread	Dimensions - Inch (mm)		Digi-Key Part No.	Price Each 1 25	AMP Part No.
				A	B			
Latching Blocks - Slot Recess & Thru-Hole - Zinc - RoHS Compliant								
6	9-37	Rear-Panel Latching	—	.160 (4.06)	—	A23453-ND	5.02 4.19	747080-2
	9-37	Rear-Panel Latching	—	.190 (4.83)	—	A23451-ND	1.15 .97	745245-2
	9-37	Front-Panel Latching	—	.250 (6.35)	—	A23452-ND	.92 .77	745286-2
Latching Blocks - Threaded Hole - Zinc - RoHS Compliant								
7	9-37	Rear-Panel Latching	4-40	.190 (4.83)	.400 (10.16)	A23449-ND	2.92 2.44	745403-8
	9-37	Rear-Panel Latching	4-40	.220 (5.59)	.400 (10.16)	A23450-ND	7.75 6.46	747717-2
	9-37	Front-Panel Latching	M3	.250 (6.35)	.400 (10.16)	A23447-ND	1.42 1.18	208101-1
	9-37	Front-Panel Latching	4-40	.250 (6.35)	.400 (10.16)	A23448-ND	1.42 1.18	208101-8
	50	Front-Panel Latching	4-40	.250 (6.35)	.530 (13.46)	A35227-ND	68.82 57.35	1-208101-1

Fig.	No. of Positions	Description	Dimension A Inch (mm)	Digi-Key Part No.	Price Each 1 25	AMP Part No.
8	—	With Mounting Ears	—	A23445-ND	4.17 3.48	745255-2
9	9-37	Spring Latch	.540 (13.72)	A23446-ND	1.89 1.58	745779-2
9	50	Spring Latch	.650 (16.51)	A35228-ND	9.63 8.03	745779-5
Slide Latch Clips - Steel, Zinc Plated (clip stainless steel, screws/washers/nuts - steel, zinc plated)						
10	—	Thread 4-40, Screw Length .415 (10.54mm)	—	A23441-ND	2.55 2.13	206942-1
				A33703-ND	2.58 2.15	5206942-1

◆ RoHS Compliant

Fig.	No. of Positions	Style No.	Thread Size	Dimensions - Inches (mm)		Digi-Key Part No.	Price Each 1 25	AMP Part No.
				A	B			
Slide Latch Clips - Stainless Steel (screws/washers/nuts - steel, zinc plated)								
11	25	2	2-56	2.265 (57.53)	.470 (11.94)	A23437-ND	11.70 9.75	745584-1
RoHS Compliant								
11	9	1	4-40	1.397 (35.48)	.490 (12.45)	A33698-ND	3.64 3.03	5745404-1
	15	2	2-56	1.725 (43.82)	.470 (11.94)	A33699-ND	5.31 4.43	5745583-1
	25	2	2-56	2.265 (57.53)	.470 (11.94)	A33700-ND	10.47 8.73	5745584-1
	25	3	4-40	2.265 (57.53)	.470 (11.94)	A33701-ND	4.83 4.03	5745584-3
	37	1	4-40	2.913 (73.99)	.490 (12.45)	A32024-ND	5.88 4.90	5745407-1
50	3	4-40	2.819 (71.60)	.575 (14.61)	A33702-ND	10.44 8.70	5745578-3	

Fig.	No. of Positions	Dimensions - Inches (mm)		Digi-Key Part No.	Price Each 1 25	AMP Part No.
		A	B			
EMI/RFI Gaskets - Brass .006" (0.15mm) Thick, Bright Tin Plated - RoHS Compliant						
12	9	.984 (24.99)	1.220 (30.99)	A32025-ND	1.50 1.25	5747024-3
	15	1.312 (33.32)	1.555 (39.50)	A35052-ND	4.80 4.00	5747025-3
	25	1.852 (47.04)	2.100 (53.34)	A32027-ND	18.66 15.55	745776-4
	37	2.500 (63.50)	2.730 (69.34)	A32028-ND	6.30 5.25	745777-4
13	Screwlock Kits for .050 Series, stainless steel			A23468-ND‡	2.18 1.82	749087-2
14	Screwlock Kits for .050 Series, stainless steel, Thread 4-40			A23469-ND	3.64 3.04	750644-1
14	Screwlock Kits for .050 Series, stainless steel, Thread 2-56			A23470-ND	2.96 2.48	786585-2
15	Screwlock Kits for .050 Series, stainless steel			A23675-ND	4.62 3.85	750831-1
—	Grommet Set (4 per set), 9-15 positions			A23668-ND	.87 .73	747746-1
—	Grommet Set (4 per set), 25-50 positions			A23669-ND	1.47 1.23	747973-1

‡ Recommended for right-angle board mount connectors

More Product Available Online: www.digkey.com

Toll-Free: 1-800-344-4539 • Phone 218-681-6674 • Fax: 218-681-3380