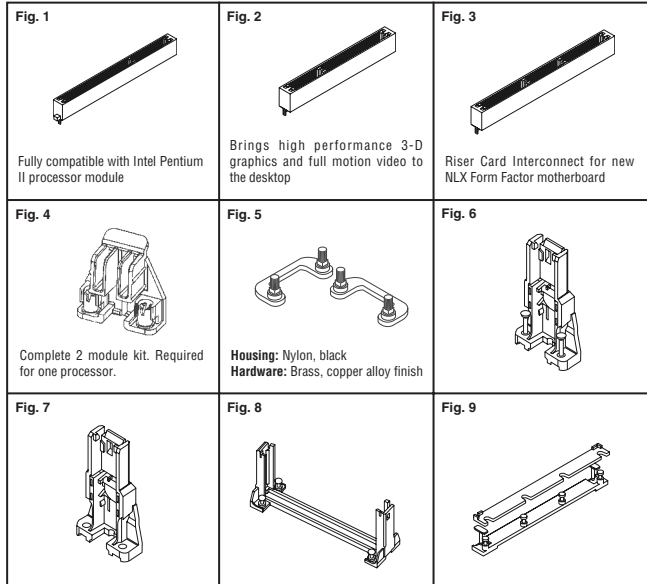


1mm Standard Edge Connectors have been developed specifically to meet the interconnection requirements for the latest technological advances in personal computers. These include Intel's Pentium II™ processor (Slot 1), Accelerated Graphics Port (AGP), and the new NLX Form Factor motherboard.

FEATURES:

- 1mm contact spacing compatible with latest interconnection technology for Slot 1, AGP and NLX • High temperature housings suitable for surface mount reflow processes • Pivoting board lock feature offering connector centering before contacts enter PC board holes • Certified by Canadian Standards Association to Canadian and United States Requirements • Produced under a Quality Management System certified to ISO 9001
- PERFORMANCE CHARACTERISTICS:** • Operating Temperature: 0°C ~ 85°C • Voltage: 250VAC • Characteristic Impedance: 35<20-80Ω • Termination Resistance: 20mΩ maximum (initial) • Insulation Resistance: 1000MΩ minimum • Dielectric Withstanding Voltage: 400VAC @ sea level • Durability: 50 cycles minimum • Engaging Force: 3.3 oz. (.917 N) maximum average per contact pair • Separating Force: 1.98 ~ .35 oz. (.550 ~ .097N) per contact pair



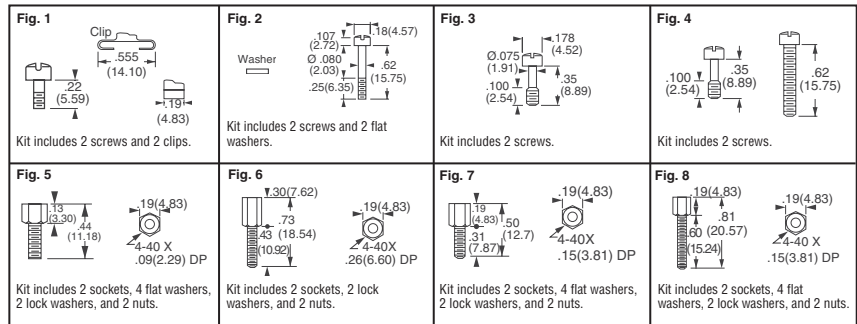
| Fig. | Description | Solder Tail Length | Digi-Key Part No. | Price Each 1 25 | AMP Part No. |
|---|--|--------------------|------------------------|--------------------------|-----------------------|
| 1mm Standard Edge Connector | | | | | |
| 1 | 242 Position Slot 1 Connector for Pentium II and Celeron Processors | .100 (2.54) | A15102-ND A33649-ND | 7.93 6.34 | 145251-2 5145251-2 |
| 2 | 124 Position AGP (Accelerated Graphics Port) Connector for AGP Card | .085 (2.16) | A15103-ND | 5.43 4.34 | 145263-1 |
| | 124 Position AGP (Accelerated Graphics Port) Connector for AGP Card | .100 (2.54) | A33650-ND | 4.88 3.90 | 5145263-1 |
| | 124 Position AGP (Accelerated Graphics Port) Connector for AGP Card | .100 (2.54) | A15104-ND | 5.08 4.06 | 145263-2 |
| | 124 Position AGP (Accelerated Graphics Port) Connector for AGP Card | .100 (2.54) | A33651-ND | 4.58 3.66 | 5145263-2 |
| 3 | 340 Position NLX Riser Card Interconnect | .100 (2.54) | A15106-ND A33652-ND | 11.88 9.50 10.23 8.18 | 145275-2 5145275-2 |
| Celeron Retention Modules — RoHS Compliant | | | | | |
| 4 | Module Kit with Captive Brass Fasteners, 2 pieces (Use with 145312-1 Bridge/Stud Assembly) | | A15108-ND | 17.33 13.86 | 145342-1 |
| 5 | Bridge/Stud Assembly for #145342-1. One Bridge/Stud Assembly Required for Each Retention Module | | A15109-ND | 3.83 3.06 | 145312-1 |
| Universal Retention Modules (URM) — RoHS Compliant | | | | | |
| 6 | URM with Straight Pin Plastic Fasteners. Compatible with .159" (4.04mm) Holes, 2 pieces | | A15115-ND | 3.40 2.72 | 145417-2 |
| 7 | URM with Clearance Hole for #6 Screw. Customer Supplies Fastener Hardware, 2 pieces | | A15117-ND | 2.43 1.94 | 145419-2 |
| Integrated Retention Modules — RoHS Compliant | | | | | |
| 8 | Pentium II Retention Module with Fastex Plastic Fasteners | | A15113-ND | 6.65 5.32 | 145327-1 |
| | Pentium II Retention Module with Slotted, Captive Nuts | | A15118-ND | 7.93 6.34 | 145286-1 |
| Heat Sink Support Kit — RoHS Compliant | | | | | |
| 9 | Heat Sink Support Base with Plastic Fasteners for use with Integrated Retention Module #145327-1 | | A15114-ND | 7.50 6.00 | 145308-1 |

• RoHS Compliant

3M D-Sub Mounting Hardware



| Fig. | Description | Digi-Key Part No. | Price Each 1 100 500 | 3M Part No. |
|------|-----------------|-------------------|----------------------|-------------|
| 1 | Jack Screw Kit | MDVS22-ND | 1.04 .79 .72 | 3342-1 |
| 2 | Jack Screw Kit | MDVS62-ND | 1.25 .95 .86 | 3342-2 |
| 3 | Jack Screw Kit | MDVS35-ND | .83 .64 .58 | 3342-4 |
| 4 | Screw Mount Kit | MDSMK1-ND | .89 .68 .62 | 3342-3 |
| 5 | Jack Socket Kit | MDVS44-ND | 1.77 1.35 1.22 | 3341-1S |
| 6 | Jack Socket Kit | MDVS73-ND | 1.60 1.22 1.11 | 3341-2 |
| 7 | Jack Socket Kit | MDVS50-ND | 1.77 1.35 1.22 | 3341-1L |
| 8 | Jack Socket Kit | MDVS81-ND | 1.85 1.41 1.28 | 3341-4 |



KEYSTONE

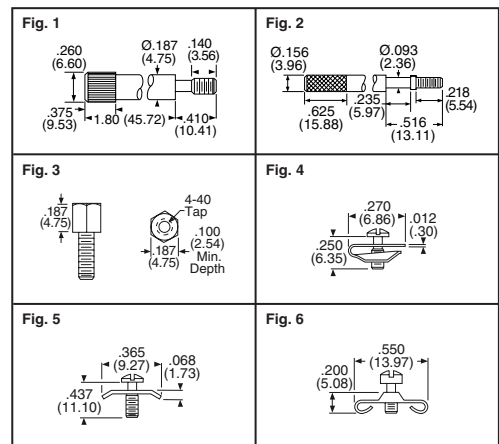
Connector Hardware

Material: Steel, Zinc Plate and Gold Iridite. Threads: 4-40



| Fig. | Description | Digi-Key Part No. | Price Each 1 5 50 | Keystone Part No. |
|------|--|-------------------|-------------------|-------------------|
| 1 | Jack Screws 4/40 thread, (1 pkg. = 2 screws) 2 pc. required per connector | 2073K-ND | 5.96 5.22 4.84 | 2073 |
| 2 | Jack Screws 4/40 thd. slim line, 1.25", (1 pkg. = 2 screws) 2 pc. required per connector | 2069K-ND | 5.75 5.18 3.74 | 2069 |
| 2 | Jack Screws 4/40 thd. slim line, 1.75", (1 pkg. = 2 screws) 2 pc. required per connector | 2071K-ND | 4.84 4.24 3.94 | 2071 |
| 3 | Jack Screws 4/40 x .250" (1 pkg. = 2 screws) 2 pc. required per connector | 7228K-ND | .69 .61 .57 | 7228 |
| 3 | Jack Screws 4/40 x .250" (1 pkg. = 2 screws) 2 pc. required per connector | 7228-5K-ND† | .69 .61 .57 | 7228-5 |
| 3 | Jack Screws 4/40 x .312" (1 pkg. = 2 screws) 2 pc. required per connector | 7230K-ND | .59 .53 .43 | 7230 |
| 3 | Jack Screws 4/40 x .312" (1 pkg. = 2 screws) 2 pc. required per connector | 7230-5K-ND† | .59 .53 .43 | 7230-5 |
| 3 | Jack Screws 4/40 x .625" (1 pkg. = 2 screws) 2 pc. required per connector | 7232K-ND | 1.41 1.23 1.15 | 7232 |
| 3 | Jack Screws 4/40 x .625" (1 pkg. = 2 screws) 2 pc. required per connector | 7232-5K-ND† | 1.41 1.23 1.15 | 7232-5 |
| 3 | Jack Screws 4/40 x .250" (10 pcs. = 4 flat washers, 2 lock washers, 2 nuts, 2 jack screws) | 7229K-ND | 1.13 1.02 .96 | 7229 |
| 3 | Jack Screws 4/40 x .250" (10 pcs. = 4 flat washers, 2 lock washers, 2 nuts, 2 jack screws) | 7229-5K-ND† | .90 .79 .74 | 7229-5 |
| 3 | Jack Screws 4/40 x .312" (10 pcs. = 4 flat washers, 2 lock washers, 2 nuts, 2 jack screws) | 7231K-ND | .73 .65 .60 | 7231 |
| 3 | Jack Screws 4/40 x .312" (10 pcs. = 4 flat washers, 2 lock washers, 2 nuts, 2 jack screws) | 7231-5K-ND† | .73 .65 .60 | 7231-5 |
| 3 | Jack Screws 4/40 x .625" (10 pcs. = 4 flat washers, 2 lock washers, 2 nuts, 2 jack screws) | 7233K-ND | 1.62 1.42 1.32 | 7233 |
| 3 | Jack Screws 4/40 x .625" (10 pcs. = 4 flat washers, 2 lock washers, 2 nuts, 2 jack screws) | 7233-5K-ND† | 1.62 1.42 1.32 | 7233-5 |
| 3 | Sems jack screw .285" L 4-40 thread, (1 pkg. = 2 screws) 2 pc. required per connector | 7235K-ND | .73 .64 .60 | 7235 |
| 4 | "U" Clip Set (4 pieces = 2 screws and 2 clips) | 2062K-ND | .88 .78 .72 | 2062 |
| 5 | Saddle Washer Set (4 pieces = 2 screws and 2 clips) | 2063K-ND | .99 .87 .81 | 2063 |
| 6 | 4/40 x .250" Bow Tie Clip Set (4 pieces = 2 screws and 2 clips) | 2060K-ND | 1.10 .97 .90 | 2060 |
| 6 | 4/40 x .562" Bow Tie Clip Set (4 pieces = 2 screws and 2 clips) | 2061K-ND | 1.21 1.06 .99 | 2061 |

† Clear Chromate



More Product Available Online: www.digkey.com

Toll-Free: 1-800-344-4539 • Phone 218-681-6674 • Fax: 218-681-3380