



Mini D Ribbon (MDR) Connectors (Cont.)

Fig.	Color	No. of Pos.	Dim. A In. (mm)	Digi-Key Part No.	1	10	100	250	3M Part No.		
12	—	14	1.01 (25.8)	3M1750-ND	11.40	9.59	8.66	8.22	10314-A200-00		
		20	1.17 (29.7)	3M1751-ND	10.15	8.54	7.72	7.32	10320-A200-00		
		26	1.32 (33.5)	3M1752-ND	10.92	9.19	8.30	7.88	10326-A200-00		
		36	1.57 (39.8)	3M1753-ND	11.54	9.72	8.77	8.33	10336-A200-00		
		40	1.67 (42.4)	3M1754-ND	12.38	10.42	9.41	8.93	10340-A200-00		
		50	1.92 (48.7)	3M1755-ND	12.90	10.85	9.80	9.30	10350-A200-00		
13	—	68	2.37 (60.1)	3M1756-ND	13.52	11.38	10.27	9.75	10368-A200-00		
		100	3.16 (80.2)	3M1757-ND	15.08	12.69	11.46	10.88	103A0-A200-00		
		14	1.02 (25.8)	3M1758-ND	9.94	8.37	7.56	7.17	10314-A500-00		
		26	1.32 (33.5)	3M1759-ND	11.59	9.75	8.81	8.36	10326-A500-00		
		36	1.57 (39.8)	3M1760-ND	11.79	9.93	8.96	8.51	10336-A500-00		
		40	1.67 (42.4)	3M1761-ND	14.04	11.82	10.67	10.13	10340-A500-00		
14	Beige	50	1.92 (48.7)	3M1762-ND	13.10	11.03	9.96	9.45	10350-A500-00		
		68	2.37 (60.1)	3M1763-ND	14.00	11.78	10.64	10.10	10368-A500-00		
		MDR Cable Assemblies — RoHS Compliant									
		26	.5 meters	MCA106-5-ND	54.03	47.28	44.92	42.22	14526-EZ58-050-02C		
		26	1 meter	MCA107-1-ND	60.22	52.70	50.07	47.05	14526-EZ58-100-02C		
		26	2 meters	MCA108-2-ND	72.61	63.54	60.36	56.73	14526-EZ58-200-02C		
26	3 meters	MCA109-3-ND	84.99	74.37	70.65	66.40	14526-EZ58-300-02C				
36	1 meter	MCA116-1-ND‡	71.41	62.49	59.36	55.79	14736-SZ68-100-0HC				
14	Beige	36	2 meters	MCA117-2-ND‡	81.63	71.43	67.86	63.78	14736-SZ68-200-0HC		
		36	5 meters	MCA118-5-ND‡	116.99	102.37	97.25	91.40	14736-SZ68-500-0HC		
		50	1 meter	MCA110-1-ND‡	103.71	90.75	86.22	81.03	14750-SZWB-100-0NC		
		50	2 meters	MCA111-2-ND‡	120.74	105.65	100.37	94.33	14750-SZWB-200-0NC		
		50	5 meters	MCA112-5-ND‡	177.62	155.42	147.65	138.77	14750-SZWB-500-0NC		
		50	1 meter	MCA113-1-NDΔ	106.10	92.84	88.20	82.89	14850-SZWB-100-0NC		
		50	2 meters	MCA114-2-NDΔ	124.43	108.88	103.44	97.22	14850-SZWB-200-0NC		
		50	5 meters	MCA115-5-NDΔ	180.59	158.02	150.12	141.09	14850-SZWB-500-0NC		

◆ RoHS Compliant ‡ Over-molded 4-40 thumbscrew Δ Discrete 4-40 thumbscrew shell kit

Fig.	Description	Digi-Key Part No.	1	100	500	1,000	3M Part No.
Jack Sockets, .050" — RoHS Compliant							
15	M2.5/M2.5	MDVS10-ND	2.08	158.00	715.00	1300.00	3341-10BULK
	#4-40/#4-40	MDVS16-ND	2.27	172.22	779.35	1417.00	3341-16BULK
	#4-40/#4-40	MDVS17-ND	1.71	129.56	586.30	1066.00	3341-17KIT
	M2.5/#4-40	MDVS13-ND	1.50	113.76	514.80	936.00	3341-13BULK
	M2.5/M2	MDVS25-ND	2.85	216.46	979.55	1781.00	3341-25
	M2.5/#4-40	MDVS31-ND	1.66	126.40	572.00	1040.00	3341-31BULK
M2.5/#4-40	MDVS32-ND	1.93	146.94	664.95	1209.00	3341-32BULK	

Fig.	Description	Digi-Key Part No.	10	100	500	1,000	3M Part No.
Screws (Steel with Zinc Plating), .050" — RoHS Compliant							
16	Board Lock Screw, M2.6 x 8mm	MDVT26-ND*	1.50	10.50	43.75	80.00	3344-26
	Board Lock Screw, M2.5 x 6.0mm	MDVT03-ND*	6.00	42.00	175.00	320.00	3344-3
	Panel Mount Screw, M2.5 x 8.0mm	MDVT38-ND*	3.30	23.10	96.25	176.00	3344-38
	Board Lock Screw, #4-40 x 1/4"	MDVT04-ND*	2.40	16.80	70.00	128.00	3344-4
	Panel Mount Screw, #4-40 x 3/8"	MDVT44-ND*	1.50	10.50	43.75	80.00	3344-44

* Quantity of one equals one pair.

Shielded Compact Ribbon (SCR) Connectors



Features:

- Robust ribbon style contact for reliable repetitive plugging • 360° shielding for excellent EMI protection
- 10 contacts can carry signal or power (up to 1A per pin) • Polarized to provide proper cable insertion
- Vibration resistant

Specifications:

- Insulation Material: Glass-filled LCP or Glass-filled Nylon • Flammability: UL 94V-0 • Color: Black
- Contact Material: Phosphor Bronze or Copper Alloy • Shroud Material: Steel • Current Rating: 1A
- Voltage Rating: 150VAC/200VDC • Temperature Rating: -55°C - 85°C

Dimensions in mm

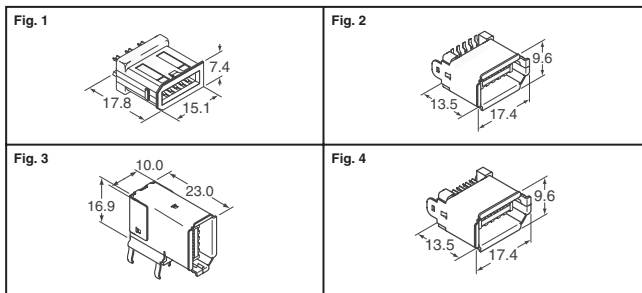


Fig.	Description	Digi-Key Part No.	1	10	100	3M Part No.
1	Receptacle, Wiremount	3M6453-ND	3.64	3.07	2.77	36210-0100FD
1	Receptacle, Wiremount	3M6459-ND	3.74	3.15	2.85	36210-0100PL
2	Plug, SMT	3M6456-ND	6.78	5.71	5.16	36110-1110PL
3	Plug, Right Angle, Thru-Hole	3M6457-ND	5.82	4.73	4.27	36110-2220PE
4	Plug, Solder	3M6458-ND	5.49	4.62	4.18	36110-3000FD
Accessories						
—	Backshell for Receptacle	3M6454-ND	7.38	6.22	5.61	36310-3200-008
—	Backshell for Plug	3M6455-ND	8.22	6.92	6.25	36310-F200-008

SATA Connectors



Dimensions in mm

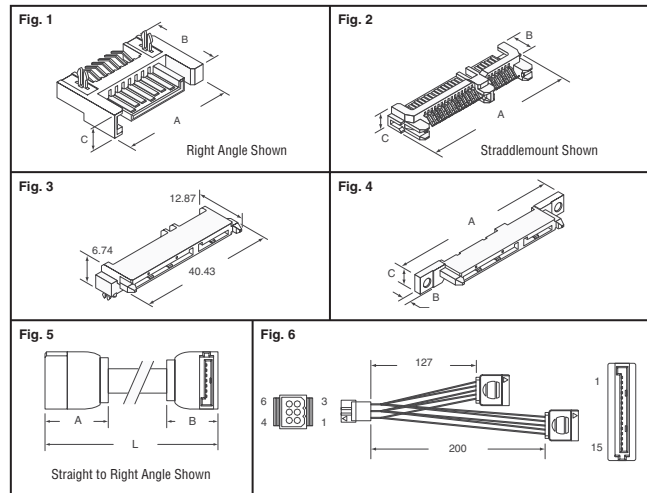


Fig.	Description	Dimensions (mm)	No. of Pos.	Digi-Key Part No.	1	10	100	3M Part No.
SATA Plugs								
1	R/A, SMT Gold Flash	17.46 11.50 4.00	7	3M5561-ND	.48	.36	.26	5607-4200-SH
	Vertical, PCB Gold Flash	16.78 8.40 5.70	7	3M5562-ND	.54	.41	.29	5607-5102-SH
2	Straddlemount 30µ"	45.77 7.25 5.73	22	3M5555-ND	2.04	1.59	1.09	5622-6309-ML
	R/A, Thru-Hole 30µ"	42.76 5.60 11.00	22	3M5556-ND	2.16	1.62	1.16	5622-4100-ML
SATA Receptacles								
3	R/A, SMT 30µ"	— — —	22	3M5560-ND	2.34	1.76	1.25	5622-1200-ML
	Vertical, SMT 30µ"	54.50 5.50 2.45	22	3M5557-ND§	2.25	1.69	1.20	5622-2222-ML
	Vertical, PCB 30µ"	42.73 5.00 14.15	22	3M5558-ND	2.25	1.69	1.20	5622-2103-ML
4	Vertical, Pressfit, 30µ"	42.73 10.00 14.15	22	3M5559-ND	2.34	1.76	1.25	5622-2603-ML
	SATA Signal Cables							
5	R/A to R/A, L=1M	12.5 12.5 —	7	3M5564-ND	2.85	2.14	1.52	5602-1102
	R/A to R/A, L=0.5M	12.5 12.5 —	7	3M5565-ND	2.55	1.92	1.36	5602-1101
	STR to R/A, L=1M	15.5 12.5 —	7	3M5566-ND	2.85	2.14	1.52	5602-2102
	STR to R/A, L=0.5M	15.5 12.5 —	7	3M5567-ND	2.55	1.92	1.36	5602-2101
	STR to STR, L=1M	15.5 15.5 —	7	3M5568-ND	2.85	2.14	1.52	5602-2202
	STR to STR, L=0.5M	15.5 15.5 —	7	3M5743-ND	2.55	1.92	1.36	5602-22-0000-500
Power Cable								
6	"Y" Configuration	— — —	15	3M5563-ND	4.32	3.24	2.31	5601-22-127-200

§ With mounting flange

SDR Connectors and Cable Assemblies



Dimensions in Inches (mm)

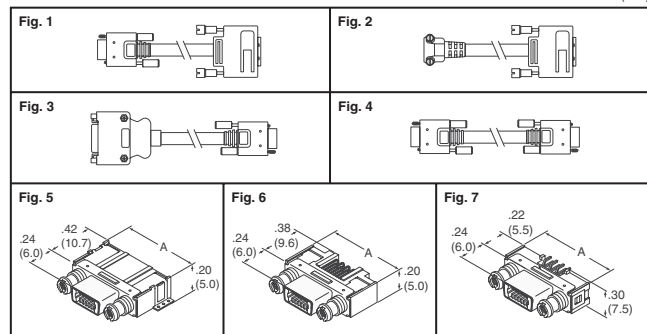


Fig.	Description	No. of Pos.	Dim. A In. (mm)	Digi-Key Part No.	1	10	100	3M Part No.
1	MDR Recept. - SDR Plug	26	—	MCA100-5-ND	219.95	192.46	171.84	1MF26-L560-00C-500
2	R/A SDR Plug - MDR Plug	26	—	MCA101-2-ND	192.00	168.00	150.00	1MF26-L576-00C-200
	R/A MDR Plug - SDR Plug	26	—	MCA102-5-ND	249.36	218.19	194.82	1MF26-L586-00C-500
3	MDR Recept. - SDR Plug	26	—	MCA103-2-ND	197.60	172.90	154.38	1MG26-LF00-00C-200
4	SDR Plug - SDR Plug	26	—	MCA104-5-ND	324.37	283.83	253.42	1SF26-L120-00C-500
	R/A SDR Plug - SDR Plug	26	—	MCA105-2-ND	297.25	260.10	232.23	1SF26-L136-00C-200
5	Header - SMT, R/A	14	.79 (20)	MSDS14-ND	9.51	8.00	7.23	12214-8250-00FR
		26	.98 (24.8)	MSDS26-ND	10.50	8.84	7.98	12226-8250-00FR
6	Header - Thru-Hole, R/A	14	.79 (20)	MSDR14-ND	7.92	6.67	6.02	12214-5150-00FR
		26	.98 (24.8)	MSDR26-ND	8.92	7.51	6.78	12226-5150-00FR
		50	1.35 (34.4)	MSDR50-ND	11.88	10.00	9.03	12226-5150-00FR
7	Header - Thru-Hole, Vert.	14	.79 (20)	MSDV14-ND	7.53	6.34	5.72	12214-1150-00FR
		26	.98 (24.8)	MSDV26-ND	8.53	7.18	6.48	12226-1150-00FR

More Product Available Online: www.digikey.com

Toll-Free: 1-800-344-4539 • Phone 218-681-6674 • Fax: 218-681-3380