

3M Mini D Ribbon (MDR) Connectors

Dimensions in Inches (mm)

A

Fig. 1 — IDC Wiremount

• Glass Reinforced Polyester (PBT) • UL 94V-0 • Wiping Area: 30µm minimum Gold • Wire Accommodation: Gray: 26AWG Solid, Black: 28AWG Stranded, 30AWG Solid • IEEE 1284C Interface as a 36 Contact Connector

Fig. 2 — Solder Connector

• Glass Reinforced Polyester (PCT) • UL 94V-0 • Wiping Area: 20µm minimum Gold • Solder Area: Tin-Lead • Wire Accommodation: 24, 26, 28 and 30AWG

Fig. 3 — Boardmount Thru-Hole Right Angle

• Glass Reinforced Polyester (PCT) • UL 94V-0 • Wiping Area: 30µm minimum Gold • IEEE 1284C Interface as a 36 Contact Connector

Fig. 4 — IDC Wiremount Panelmount

• Glass Reinforced Polyester (PBT) • UL 94V-0 • Wiping Area: 30µm minimum Gold • Wire Accommodation: 28AWG Stranded, 30AWG Solid • IEEE 1284C Interface as a 36 Contact Connector • Interface latch

Fig. 5 — Boardmount Thru-Hole Right Angle

• Glass Reinforced Polyester (PBT) • UL 94V-0 • Wiping Area: 30µm minimum Gold • Interface latch

Fig. 6 — Boardmount Thru-Hole Vertical

• Glass Reinforced Polyester (PBT) • UL 94V-0 • Wiping Area: 30µm minimum Gold • IEEE 1284C Interface as a 36 Contact Connector • Interface latch

Fig. 7 — Surface Mount Right Angle

• Glass Reinforced Polyester (PCT) • UL 94V-0 • Wiping Area: 20µm minimum Gold • Interface latch

Fig. 8 — Surface Mount Right Angle NEW!

• Glass Reinforced Polyester (PCT) • UL 94V-0 • Wiping Area: 20µm minimum Gold • Interface latch

Fig. 9 — Boardmount Compliant Pin Vertical

• Glass Reinforced Polyester (PBT) • UL 94V-0 • Wiping Area: 30µm minimum Gold • Tails: Gold Flash

Fig. 10 — Plastic Shielded Junction Shell for Round Cable

• Outer Shell Material: ABS • UL 94V-0 • Inner Shell Material: Steel, .020" • Plating: Nickel

Fig. 11 — Plastic Solder Junction Shell, Non-Shielded

• Glass Reinforced Polyester (PBT) • UL 94V-0 • Quick release metal latching mechanism

Fig. 12 — Metal Junction Shell for Round Cable

• Material: Aluminum, .050" • Plating: Nickel

Fig. 13 — 60° Metal Junction Shell for Round Cable

• Material: Aluminum, .050" • Plating: Nickel

Fig. 14 — MDR Cable Assembly Plug

Dimension A = Length (from Strain Relief to Strain Relief)

Fig. 15 — I/O Mounting Hardware

3M #	A	B	C	D
3341-10	.35 (8.9)	M2.5	.30 (7.6)	230 DP
3341-16	.35 (8.9)	#4-40	.30 (7.6)	230 DP
3341-17	.35 (8.9)	#4-40	.30 (7.6)	230 DP
3341-19	.35 (8.9)	M2.5	.30 (7.6)	230 DP
3341-25	.41 (10.5)	M2.5	12 (3.0)	120 DP
3341-31	.40 (10.2)	M2.5	15 (3.8)	100 DP
3341-32	.50 (12.5)	M2.5	.30 (7.6)	203 DP

• Material: Stainless Steel • Plating: Passivated

Fig. 16 — Board Lock and Panel Mounting Screws

3M #	A
3344-26	M2.6 x 8mm
3344-3	M2.5 x 6mm
3344-38	M2.5 x 8mm
3344-4	#4-40 x 1/4
3344-44	#4-40 x 3/8

• Material: Steel • Plating: Zinc

Fig.	Color	No. of Pos.	Dim. A In. (mm)	Digi-Key Part No.	1	10	100	250	3M Part No.
Plugs — Shielded, .050" — RoHS Compliant									
1	Black	14	.72 (18.2)	MPB14A-ND	4.87	4.10	3.70	3.51	10114-6000EC
		20	.87 (22.0)	MPB20A-ND	5.03	4.24	3.83	3.63	10120-6000EC
		26	1.02 (25.8)	MPB26A-ND	5.20	4.38	3.95	3.75	10126-6000EC
		36	1.27 (32.2)	MPB36A-ND	6.24	5.25	4.74	4.50	10136-6000EC
		40	1.37 (34.7)	MPB40A-ND	6.45	5.43	4.90	4.65	10140-6000EC
		50	1.62 (41.1)	MPB50A-ND	6.88	5.80	5.23	4.97	10150-6000EC
		68	2.07 (52.5)	MPB68A-ND	7.07	5.95	5.38	5.10	10168-6000EC
		80	2.37 (60.1)	MPB80A-ND	8.59	7.23	6.53	6.20	10180-6000EC
		100	2.87 (72.8)	MPB100A-ND	10.21	8.60	7.76	7.37	101A0-6000EC
		68	2.07 (52.5)	MPA68A-ND	6.49	5.46	4.93	4.68	10168-6010EC
2	Black	14	.72 (18.2)	3M1767-ND	6.16	5.18	4.68	4.44	10114-3000PE
		20	.87 (22.0)	3M1768-ND	6.70	5.64	5.09	4.83	10120-3000PE
		26	1.02 (25.8)	3M1769-ND	7.49	6.30	5.69	5.40	10126-3000PE
		36	1.27 (32.2)	3M1770-ND	7.95	6.69	6.04	5.73	10136-3000PE
		40	1.37 (34.7)	3M1771-ND	8.32	7.00	6.32	6.00	10140-3000PE
50	1.62 (41.1)	3M1772-ND	8.99	7.56	6.83	6.48	10150-3000PE		
3	Black	20	1.31 (33.3)	3M1806-ND	13.64	11.48	10.37	9.84	10120-52B2PC
		26	1.46 (37.2)	3M1807-ND	14.14	11.90	10.75	10.20	10126-52B2PC
		36	1.71 (43.5)	3M1808-ND	14.66	12.34	11.14	10.58	10136-52B2PC
		50	2.06 (52.4)	3M1809-ND	15.31	12.88	11.63	11.04	10150-52B2PC
Receptacles — Shielded, .050"									
4	Black	20	1.31 (33.4)	MRB20A-ND	8.88	7.48	6.75	6.41	10220-0210EC
		26	1.46 (37.2)	MRB26A-ND	9.61	8.09	7.30	6.93	10226-0210EC
		36	1.71 (43.5)	MRB36A-ND	10.77	9.07	8.19	7.77	10236-0210EC
		40	1.81 (46.1)	MRB40A-ND	11.32	9.52	8.60	8.16	10240-0210EC
		50	2.06 (52.4)	MRB50A-ND	12.52	10.54	9.52	9.03	10250-0210EC
		68	2.51 (63.8)	MRB68A-ND	14.62	12.31	11.11	10.55	10268-0210EC
5	Beige	14	1.16 (29.6)	3M1811-ND	4.20	3.54	3.20	3.03	10214-55G3PC
		20	1.31 (33.4)	3M1814-ND	3.72	3.14	2.83	2.69	10220-55G3PC
		26	1.46 (37.2)	3M1815-ND	4.37	3.68	3.32	3.15	10226-55H3PC
		36	1.71 (43.5)	3M1818-ND	4.04	3.40	3.07	2.91	10236-55G3PC
		40	1.81 (46.1)	3M1820-ND	4.43	3.73	3.37	3.20	10236-55G3PC
		36	1.71 (43.5)	3M1821-ND	4.43	3.73	3.37	3.20	10236-55H3PC
		40	1.81 (46.1)	3M1824-ND	5.49	4.62	4.18	3.96	10240-55G3PC
		50	2.06 (52.4)	3M1766-ND	5.20	4.38	3.95	3.75	10250-55H3PC
		68	2.51 (63.8)	3M1828-ND	6.76	5.69	5.14	4.88	10268-55H3PC
		68	2.51 (63.8)	3M1832-ND	10.82	9.10	8.22	7.80	10268-55BEP

Fig.	Color	No. of Pos.	Dim. A In. (mm)	Digi-Key Part No.	1	10	100	250	3M Part No.	
6	Black	14	1.16 (29.5)	3M1812-ND	4.37	3.68	3.32	3.15	10214-6212PC	
		20	1.31 (33.4)	3M1816-ND	4.58	3.85	3.48	3.30	10226-6212PC	
		26	1.46 (37.2)	3M1819-ND	4.74	3.99	3.61	3.42	10236-6212PC	
		36	1.71 (43.5)	3M1822-ND	4.89	4.12	3.72	3.53	10246-6212PC	
		40	1.81 (46.1)	3M1724-ND	5.10	4.29	3.88	3.68	10230-6212VC	
		40	1.81 (46.1)	3M1825-ND	5.10	4.29	3.88	3.68	10240-6212PC	
		50	2.06 (52.4)	3M1827-ND	5.41	4.55	4.11	3.90	10250-6212PC	
		68	2.51 (63.8)	3M1829-ND	6.32	5.32	4.81	4.56	10268-6212PC	
		80	2.81 (71.5)	3M1830-ND	8.53	7.18	6.48	6.15	10280-6212PC	
		100	3.31 (84.2)	3M1831-ND	9.11	7.67	6.93	6.57	102A0-6212PC	
7	Beige	14	1.16 (29.5)	3M1810-ND	7.28	6.13	5.53	5.25	10214-1210PE	
		20	1.32 (33.4)	3M1813-ND	7.45	6.27	5.66	5.37	10220-1210PE	
		26	1.50 (38.2)	3M1731-ND	7.74	6.51	5.88	5.58	10226-1210PE	
		26	1.50 (38.2)	3M1817-ND	7.74	6.51	5.88	5.58	10226-1210PE	
		40	1.85 (47.1)	3M1823-ND	8.94	7.53	6.80	6.45	10240-1210PE	
		50	2.06 (52.4)	3M1733-ND	9.36	7.88	7.11	6.75	10250-1210PE	
50	2.06 (52.4)	3M1826-ND	9.36	7.88	7.11	6.75	10250-1210PE			
8	Beige	14	1.16 (29.5)	3M6469-ND	NEW!	8.09	6.81	6.15	5.84	10214-1S10PE
		20	1.31 (33.3)	3M6470-ND	NEW!	8.26	6.95	6.28	5.96	10220-1S10PE
		26	1.46 (37.2)	3M6471-ND	NEW!	8.59	7.23	6.53	6.20	10226-1S10PE
		40	1.81 (46.1)	3M6472-ND	NEW!	9.92	8.35	7.54	7.16	10240-1S10PE
		50	2.06 (52.4)	3M6473-ND	NEW!	10.40	8.75	7.90	7.50	10250-1S10PE
9	Black	14	1.16 (29.5)	3M1734-ND	8.69	7.32	6.61	6.27	10214-R21TS	
		36	1.71 (43.5)	3M1735-ND	9.19	7.74	6.99	6.63	10236-R21TS	
		40	1.81 (46.1)	3M1736-ND	9.36	7.88	7.11	6.75	10240-R21TS	
		68	2.51 (63.8)	3M1737-ND	10.90	9.17	8.28	7.86	10268-R21TS	
		80	2.81 (71.5)	3M1738-ND	14.85	12.50	11.29	10.71	10280-R21TS	
Connector Junction Shells — .050" — RoHS Compliant										
10	Beige	14	1.02 (25.9)	3M1739-ND	4.68	3.94	3.56	3.38	10314-3210-000	
		20	1.17 (29.7)	3M1740-ND	4.06	3.42	3.09	2.93	10320-3210-000	
		26	1.32 (33.5)	3M1741-ND	4.14	3.49	3.15	2.99	10326-3210-000	
		36	1.57 (39.8)	3M1742-ND	4.22	3.56	3.21	3.05	10336-3210-000	
		40	1.67 (42.4)	3M1765-ND	4.78	4.03	3.64	3.45	10340-3210-000	
		50	1.92 (48.7)	3M1743-ND	4.35	3.66	3.31	3.14	10350-3210-000	
68	2.37 (60.1)	3M1744-ND	4.45	3.75	3.39	3.21	10368-3210-000			
11	Black	14	1.16 (29.5)	3M1745-ND	6.99	5.88	5.31	5.04	10314-52F0-008	
		20	1.31 (33.3)	3M1746-ND	7.20	6.06	5.47	5.19	10320-52F0-008	
		26	1.46 (37.2)	3M1747-ND	7.40	6.23	5.63	5.34	10326-52F0-008	
		36	1.71 (43.5)	3M1748-ND	7.49	6.30	5.69	5.40	10336-52F0-008	
		50	2.06 (52.4)	3M1749-ND	7.70	6.48	5.85	5.55	10350-52F0-008	
		50	2.06 (52.4)	3M1749-ND	7.70	6.48	5.85	5.55	10350-52F0-008	

♦ RoHS Compliant ‡ Over-molded 4-40 thumbscrew
 Δ Discrete 4-40 thumbscrew shell kit

(Continued)

More Product Available Online: www.digikey.com

Toll-Free: 1-800-344-4539 • Phone 218-681-6674 • Fax: 218-681-3380



Mini D Ribbon (MDR) Connectors (Cont.)

Fig.	Color	No. of Pos.	Dim. A In. (mm)	Digi-Key Part No.	1	10	100	250	3M Part No.
12	—	14	1.01 (25.8)	3M1750-ND	11.40	9.59	8.66	8.22	10314-A200-00
		20	1.17 (29.7)	3M1751-ND	10.15	8.54	7.72	7.32	10320-A200-00
		26	1.32 (33.5)	3M1752-ND	10.92	9.19	8.30	7.88	10326-A200-00
		36	1.57 (39.8)	3M1753-ND	11.54	9.72	8.77	8.33	10336-A200-00
		40	1.67 (42.4)	3M1754-ND	12.38	10.42	9.41	8.93	10340-A200-00
		50	1.92 (48.7)	3M1755-ND	12.90	10.85	9.80	9.30	10350-A200-00
68	—	2.37 (60.1)	3M1756-ND	13.52	11.38	10.27	9.75	10368-A200-00	
		100	3.16 (80.2)	3M1757-ND	15.08	12.69	11.46	10.88	103A0-A200-00
		14	1.02 (25.8)	3M1758-ND	9.94	8.37	7.56	7.17	10314-A500-00
13	—	26	1.32 (33.5)	3M1759-ND	11.59	9.75	8.81	8.36	10326-A500-00
		36	1.57 (39.8)	3M1760-ND	11.79	9.93	8.96	8.51	10336-A500-00
		40	1.67 (42.4)	3M1761-ND	14.04	11.82	10.67	10.13	10340-A500-00
		50	1.92 (48.7)	3M1762-ND	13.10	11.03	9.96	9.45	10350-A500-00
		68	2.37 (60.1)	3M1763-ND	14.00	11.78	10.64	10.10	10368-A500-00

MDR Cable Assemblies — RoHS Compliant

Fig.	Description	Digi-Key Part No.	1	10	100	1,000	3M Part No.		
14	Beige	26	.5 meters	MCA106-5-ND	54.03	47.28	44.92	42.22	14526-EZ58-050-02C
		26	1 meter	MCA107-1-ND	60.22	52.70	50.07	47.05	14526-EZ58-100-02C
		26	2 meters	MCA108-2-ND	72.61	63.54	60.36	56.73	14526-EZ58-200-02C
		26	3 meters	MCA109-3-ND	84.99	74.37	70.65	66.40	14526-EZ58-300-02C
		36	1 meter	MCA116-1-ND‡	71.41	62.49	59.36	55.79	14T36-SZ68-100-0HC
		36	2 meters	MCA117-2-ND‡	81.63	71.43	67.86	63.78	14T36-SZ68-200-0HC
		36	5 meters	MCA118-5-ND‡	116.99	102.37	97.25	91.40	14T36-SZ68-500-0HC
		50	1 meter	MCA110-1-ND‡	103.71	90.75	86.22	81.03	14T50-SZWB-100-0NC
		50	2 meters	MCA111-2-ND‡	120.74	105.65	100.37	94.33	14T50-SZWB-200-0NC
		50	5 meters	MCA112-5-ND‡	177.62	155.42	147.65	138.77	14T50-SZWB-500-0NC
		50	1 meter	MCA113-1-NDΔ	106.10	92.84	88.20	82.89	14B50-SZWB-100-0NC
		50	2 meters	MCA114-2-NDΔ	124.43	108.88	103.44	97.22	14B50-SZWB-200-0NC
50	5 meters	MCA115-5-NDΔ	180.59	158.02	150.12	141.09	14B50-SZWB-500-0NC		

◆ RoHS Compliant ‡ Over-molded 4-40 thumbscrew Δ Discrete 4-40 thumbscrew shell kit

Fig.	Description	Digi-Key Part No.	1	100	500	1,000	3M Part No.
Jack Sockets, .050" — RoHS Compliant							
15	M2.5/M2.5	MDVS10-ND	2.08	158.00	715.00	1300.00	3341-10BULK
	#4-40/#4-40	MDVS16-ND	2.27	172.22	779.35	1417.00	3341-16BULK
	#4-40/#4-40	MDVS17-ND	1.71	129.56	586.30	1066.00	3341-17KIT
	M2.5/#4-40	MDVS13-ND	1.50	113.76	514.80	936.00	3341-13BULK
	M2.5/M2	MDVS25-ND	2.85	216.46	979.55	1781.00	3341-25
	M2.5/#4-40	MDVS31-ND	1.66	126.40	572.00	1040.00	3341-31BULK
M2.5/#4-40	MDVS32-ND	1.93	146.94	664.95	1209.00	3341-32BULK	

Fig.	Description	Digi-Key Part No.	10	100	500	1,000	3M Part No.
Screws (Steel with Zinc Plating), .050" — RoHS Compliant							
16	Board Lock Screw, M2.6 x 8mm	MDVT26-ND*	1.50	10.50	43.75	80.00	3344-26
	Board Lock Screw, M2.5 x 6.0mm	MDVT03-ND*	6.00	42.00	175.00	320.00	3344-3
	Panel Mount Screw, M2.5 x 8.0mm	MDVT38-ND*	3.30	23.10	96.25	176.00	3344-38
	Board Lock Screw, #4-40 x 1/4"	MDVT04-ND*	2.40	16.80	70.00	128.00	3344-4
	Panel Mount Screw, #4-40 x 3/8"	MDVT44-ND*	1.50	10.50	43.75	80.00	3344-44

* Quantity of one equals one pair.

Shielded Compact Ribbon (SCR) Connectors



Features:

- Robust ribbon style contact for reliable repetitive plugging • 360° shielding for excellent EMI protection
- 10 contacts can carry signal or power (up to 1A per pin) • Polarized to provide proper cable insertion
- Vibration resistant

Specifications:

- Insulation Material: Glass-filled LCP or Glass-filled Nylon • Flammability: UL 94V-0 • Color: Black
- Contact Material: Phosphor Bronze or Copper Alloy • Shroud Material: Steel • Current Rating: 1A
- Voltage Rating: 150VAC/200VDC • Temperature Rating: -55°C - 85°C

Dimensions in mm

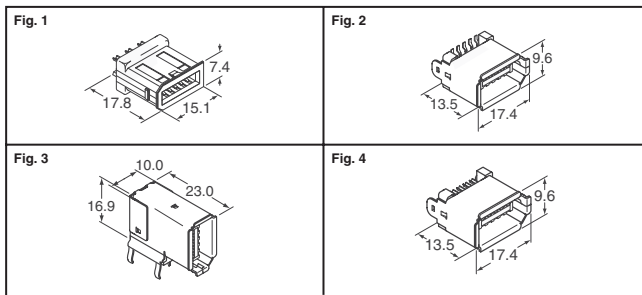


Fig.	Description	Digi-Key Part No.	1	10	100	3M Part No.
1	Receptacle, Wiremount	3M6453-ND	3.64	3.07	2.77	36210-0100FD
1	Receptacle, Wiremount	3M6459-ND	3.74	3.15	2.85	36210-0100PL
2	Plug, SMT	3M6456-ND	6.78	5.71	5.16	36110-1110PL
3	Plug, Right Angle, Thru-Hole	3M6457-ND	5.82	4.73	4.27	36110-2220PE
4	Plug, Solder	3M6458-ND	5.49	4.62	4.18	36110-3000FD
Accessories						
—	Backshell for Receptacle	3M6454-ND	7.38	6.22	5.61	36310-3200-008
—	Backshell for Plug	3M6455-ND	8.22	6.92	6.25	36310-F200-008

SATA Connectors



Dimensions in mm

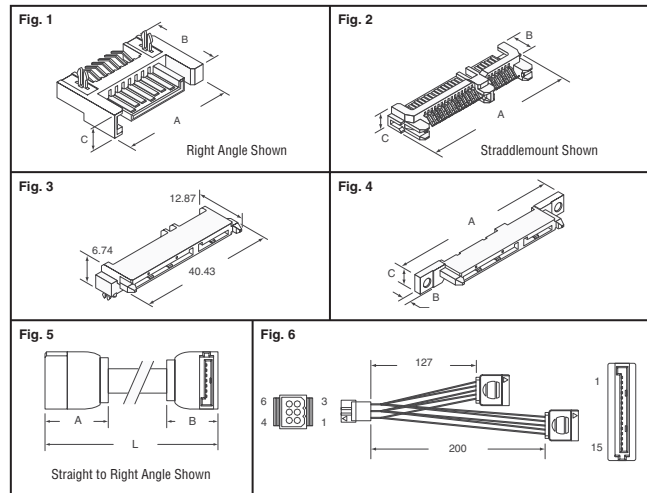


Fig.	Description	Dimensions (mm)	No. of Pos.	Digi-Key Part No.	1	10	100	3M Part No.
SATA Plugs								
1	R/A, SMT Gold Flash	17.46 11.50 4.00	7	3M5561-ND	.48	.36	.26	5607-4200-SH
	Vertical, PCB Gold Flash	16.78 8.40 5.70	7	3M5562-ND	.54	.41	.29	5607-5102-SH
2	Straddlemount 30µ"	45.77 7.25 5.73	22	3M5555-ND	2.04	1.59	1.09	5622-6309-ML
	R/A, Thru-Hole 30µ"	42.76 5.60 11.00	22	3M5556-ND	2.16	1.62	1.16	5622-4100-ML
SATA Receptacles								
3	R/A, SMT 30µ"	— — —	22	3M5560-ND	2.34	1.76	1.25	5622-1200-ML
	Vertical, SMT 30µ"	54.50 5.50 2.45	22	3M5557-ND§	2.25	1.69	1.20	5622-2222-ML
	Vertical, PCB 30µ"	42.73 5.00 14.15	22	3M5558-ND	2.25	1.69	1.20	5622-2103-ML
4	Vertical, Pressfit, 30µ"	42.73 10.00 14.15	22	3M5559-ND	2.34	1.76	1.25	5622-2603-ML
	SATA Signal Cables							
5	R/A to R/A, L=1M	12.5 12.5 —	7	3M5564-ND	2.85	2.14	1.52	5602-1102
	R/A to R/A, L=0.5M	12.5 12.5 —	7	3M5565-ND	2.55	1.92	1.36	5602-1101
	STR to R/A, L=1M	15.5 12.5 —	7	3M5566-ND	2.85	2.14	1.52	5602-2102
	STR to R/A, L=0.5M	15.5 12.5 —	7	3M5567-ND	2.55	1.92	1.36	5602-2101
	STR to STR, L=1M	15.5 15.5 —	7	3M5568-ND	2.85	2.14	1.52	5602-2202
	STR to STR, L=0.5M	15.5 15.5 —	7	3M5743-ND	2.55	1.92	1.36	5602-22-0000-500
Power Cable								
6	"Y" Configuration	— — —	15	3M5563-ND	4.32	3.24	2.31	5601-22-127-200

§ With mounting flange

SDR Connectors and Cable Assemblies



Dimensions in Inches (mm)

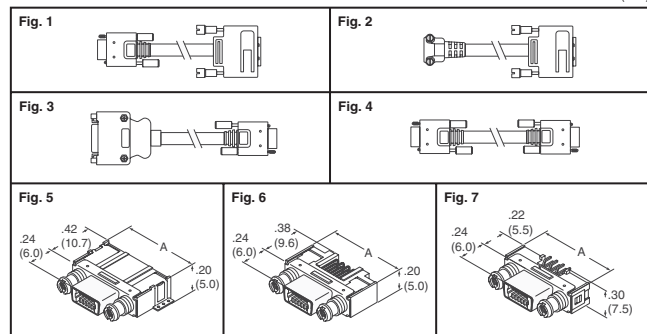


Fig.	Description	No. of Pos.	Dim. A In. (mm)	Digi-Key Part No.	1	10	100	3M Part No.
1	MDR Recept. - SDR Plug	26	—	MCA100-5-ND	219.95	192.46	171.84	1MF26-L560-00C-500
2	R/A SDR Plug - MDR Plug	26	—	MCA101-2-ND	192.00	168.00	150.00	1MF26-L576-00C-200
	R/A MDR Plug - SDR Plug	26	—	MCA102-5-ND	249.36	218.19	194.82	1MF26-L586-00C-500
3	MDR Recept. - SDR Plug	26	—	MCA103-2-ND	197.60	172.90	154.38	1MG26-LF00-00C-200
4	SDR Plug - SDR Plug	26	—	MCA104-5-ND	324.37	283.83	253.42	1SF26-L120-00C-500
	R/A SDR Plug - SDR Plug	26	—	MCA105-2-ND	297.25	260.10	232.23	1SF26-L136-00C-200
5	Header - SMT, R/A	14	.79 (20)	MSDS14-ND	9.51	8.00	7.23	12214-8250-00FR
		26	.98 (24.8)	MSDS26-ND	10.50	8.84	7.98	12226-8250-00FR
6	Header - Thru-Hole, R/A	14	.79 (20)	MSDR14-ND	7.92	6.67	6.02	12214-5150-00FR
		26	.98 (24.8)	MSDR26-ND	8.92	7.51	6.78	12226-5150-00FR
		50	1.35 (34.4)	MSDR50-ND	11.88	10.00	9.03	12226-5150-00FR
7	Header - Thru-Hole, Vert.	14	.79 (20)	MSDV14-ND	7.53	6.34	5.72	12214-1150-00FR
		26	.98 (24.8)	MSDV26-ND	8.53	7.18	6.48	12226-1150-00FR

More Product Available Online: www.digikey.com

Toll-Free: 1-800-344-4539 • Phone 218-681-6674 • Fax: 218-681-3380