



C

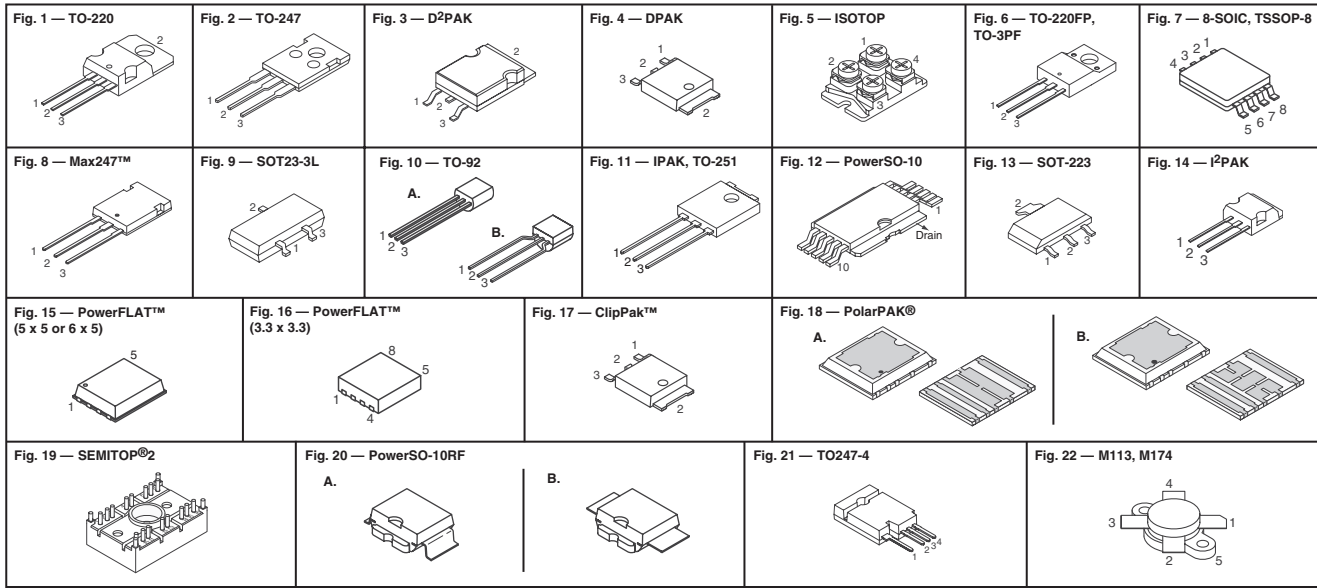


Fig.	V _{oss} (V)	ID (A)	R _{os(on)} (Ω)	Digi-Key Part No.	Pricing			Tape and Reel Pricing	STMicro. Part No.
					1	10	100		
N-Channel TO-220									
24	120	.0022	497-7519-5-ND	5.77	51.55	422.64	—	STP300NH02L	
25	80	.0049	497-9093-5-ND	2.34	21.13	169.80	—	STP95N2LH5	
30	22	.05	497-7516-5-ND	1.55	13.76	108.67	—	STP22NF03L	
30	27	.020	497-9095-5-ND	1.35	11.91	94.18	—	STP27N3LH5	
30	40	.022	497-3187-5-ND	2.03	17.90	141.43	—	STP40NF03L	
30	80	.0054	497-8451-5-ND	2.52	22.78	183.11	—	STP85N3LH5	
30	80	.0028	497-9097-5-ND	4.07	36.30	297.59	—	STP150N3LLH6	
30	80	.0042	497-10307-5-ND	2.38	21.53	172.97	—	STP95N3LLH6	
30	90	.0065	497-7535-5-ND	4.08	36.86	296.22	—	STP90NF03L	
30	120	.0037	497-6738-5-ND	4.06	36.16	296.44	—	STP200NF03	
40	80	.0065	497-7534-5-ND	2.08	18.85	151.49	—	STP90NF43	
40	80	.0065	497-7536-5-ND	3.29	29.81	239.50	—	STP95NF43	
40	80	.0070	497-10075-5-ND	4.48	39.99	327.90	—	STP150NF04	
40	120	.0037	497-3524-5-ND	4.97	44.35	363.69	—	STP200NF04	
40	120	.0038	497-4819-5-ND	4.10	36.61	300.19	—	STP200NF04L	
40	120	.0044	497-8789-5-ND	6.21	55.45	454.62	—	STP200NF43	
40	120	.0046	497-7497-5-ND	4.55	40.66	333.39	—	STP100NF04	
55	80	.005	497-5898-5-ND	4.06	36.16	296.44	—	STP80NF55L-06	
55	80	.0065	497-2774-5-ND	3.69	33.36	268.01	—	STP80NF55-06	
55	80	.008	497-3202-5-ND	3.44	31.06	249.64	—	STP80NF55-08	
55	80	.008	497-4370-5-ND	3.59	32.41	260.41	—	STP140NF55	
55	80	.008	497-6744-5-ND	3.44	31.06	249.64	—	STP85NF55	
55	80	.008	497-7023-5-ND	4.55	40.66	333.39	—	STP141NF55	
55	80	.008	497-7532-5-ND	4.14	36.96	303.07	—	STP85NF55L	
55	80	8.5	497-7528-5-ND	2.98	27.02	217.14	—	STP60NF55F3	
55	120	.0037	497-8810-5-ND	9.52	85.02	697.07	—	STP190NF55LF3	
55	120	.0038	497-7512-5-ND	7.04	62.84	515.23	—	STP180NF55F3	
55	120	.0038	497-7513-5-ND	7.45	66.51	545.40	—	STP185NF55F3	
55	120	.005	497-6117-5-ND	5.59	49.91	409.29	—	STP150NF55	
60	16	.1	497-2766-5-ND	1.18	10.35	79.83	—	STP16NF06	
60	16	.09	497-2765-5-ND	1.30	11.48	90.73	—	STP16NF06L	
60	20	.07	497-4374-5-ND	1.63	14.49	114.53	—	STP20NF06	
60	20	.07	497-4375-5-ND	1.63	14.49	114.53	—	STP20NF06L	
60	30	.04	497-3186-5-ND	1.55	13.76	108.67	—	STP36NF06	
60	30	.04	497-7522-5-ND	2.07	18.33	144.88	—	STP36NF06L	
60	38	.028	497-3189-5-ND	1.68	14.80	116.95	—	STP45NF06	
60	50	.018	497-2777-5-ND	1.79	15.84	125.23	—	STP55NF06	
60	55	.018	497-6742-5-ND	2.08	18.50	146.26	—	STP55NF06L	
60	60	.016	497-2779-5-ND	2.27	20.50	164.74	—	STP60NF06	
60	60	.014	497-5895-5-ND	2.28	20.54	165.06	—	STP60NF06L	
60	60	.014	497-7529-5-ND	2.21	19.56	154.54	—	STP65NF06	
60	80	.010	497-3201-5-ND	3.96	35.76	287.34	—	STP80NF06	
60	120	.0039	497-9096-5-ND	6.74	60.23	493.87	—	STP200NF63	
75	80	.011	497-2788-5-ND	3.21	28.98	232.86	—	STP75NF75	
75	120	.004	497-7508-5-ND	6.42	57.31	469.91	—	STP160NF75F3	
75	120	.0065	497-5894-5-ND	4.13	37.26	299.38	—	STP140NF75	

Fig.	V _{oss} (V)	ID (A)	R _{os(on)} (Ω)	Digi-Key Part No.	Pricing			Tape and Reel Pricing	STMicro. Part No.
					1	10	100		
100	15	.13	497-7506-5-ND	1.24	11.00	86.93	—	STP14NF10	
100	26	.060	497-3185-5-ND	1.90	16.90	133.51	—	STP24NF10	
100	35	.045	497-7520-5-ND	1.90	16.90	133.51	—	STP30NF10	
100	40	.033	497-6741-5-ND	3.21	28.98	232.86	—	STP40NF10L	
100	40	.035	497-2645-5-ND	2.13	18.81	148.68	—	STP35NF10	
100	50	.028	497-3188-5-ND	2.89	26.10	209.72	—	STP40NF10	
100	65	.0195	497-8812-5-ND	2.38	21.53	172.97	—	STP70N10F4	
100	80	.023	497-4384-5-ND	3.93	35.44	284.81	—	STP60NF10	
100	80	.015	497-2642-5-ND	4.08	36.86	296.22	—	STP80NF10	
100	110	.0105	497-4118-5-ND	3.97	35.48	290.95	—	STP120NF10	
120	40	.032	497-4381-5-ND	2.63	23.81	191.35	—	STP40NF12	
120	80	.018	497-6743-5-ND	4.17	37.65	302.55	—	STP80NF12	
200	9	.40	497-2757-5-ND	1.55	13.76	108.67	—	IRF630	
200	15	.16	497-7514-5-ND	2.52	22.78	183.11	—	STP19NF20	
200	18	.125	497-5812-5-ND	2.80	25.27	203.08	—	STP20NF20	
200	30	.075	497-5825-5-ND	3.72	33.55	269.60	—	STP30NF20	
200	40	.045	497-5806-5-ND	4.58	40.83	334.82	—	STP40NF20	
200	75	.034	497-5958-5-ND	5.24	46.79	383.61	—	STP75NF20	
250	13	.235	497-7509-5-ND	2.34	21.13	169.80	—	STP16NF25	
250	17	.165	497-7511-5-ND	2.98	26.92	216.38	—	STP17NF25	
250	22	.15	497-6740-5-ND	2.80	25.34	203.71	—	STP22NS25Z	
250	45	.069	497-7526-5-ND	5.59	49.91	409.29	—	STP50NF25	
300	9	.4	497-7502-5-ND	2.75	24.84	199.58	—	STP12NK30Z	
300	30	.090	497-7521-5-ND	8.87	79.83	656.41	—	STP30NM30N	
400	5.4	1	497-3200-5-ND	2.20	19.87	159.67	—	STP7NK40Z	
400	10	.55	497-7500-5-ND	2.24	20.26	162.86	—	STP11NK40Z	
500	3	2.7	497-3190-5-ND	1.11	9.91	78.34	—	STP4NK50Z	
500	3	2.7	497-5131-5-ND	1.90	16.81	132.82	—	STP4NK50ZD	
500	4.4	1.5	497-3195-5-ND	1.68	14.80	116.95	—	STP5NK50Z	
500	5.6	1.2	497-4385-5-ND	1.66	14.67	115.91	—	STP6NK50Z	
500	7.2	.85	497-3203-5-ND	3.21	28.98	232.86	—	STP9NK50Z	
500	11	.48	497-7504-5-ND	3.55	31.68	259.72	—	STP13NK50Z	
500	12	.35	497-2666-5-ND	5.80	51.74	424.30	—	STP12NM50	
500	14	.38	497-4526-5-ND	4.97	44.35	363.69	—	STP14NK50Z	
500	17	.27	497-7515-5-ND	6.62	59.14	484.92	—	STP20NK50Z	
500	20	.25	497-2663-5-ND	7.66	68.40	560.83	—	STP20NM50	
500	20	.25	497-6739-5-ND	9.11	81.31	666.76	—	STP20NM50FD	
500	22	.14	497-4672-5-ND	9.80	88.17	724.92	—	STP25NM50N	
520	4.4	1.22	497-5953-5-ND	1.56	13.83	109.23	—	STP5NK52ZD	
525	6.2	.98	497-9094-5-ND	3.29	29.81	239.50	—	STP7N52K3	
550	5	.78	497-7531-5-ND	3.25	29.41	236.33	—	STP7NM50N	
550	7.5	.56	497-7537-5-ND	2.82	25.41	204.22	—	STP9NM50N	
550	12	.32	497-7505-5-ND	4.00	35.71	292.78	—	STP13NM50N	
550	15	.26	497-7510-5-ND	4.84	43.20	354.17	—	STP16NM50N	
550	27	.115	497-8790-5-ND	14.42	129.73	1066.67	—	STP30NM50N	

◆ RoHS Compliant † For Tape and Reel part number, change 1-ND to 2-ND. ‡ Cut Tape (Continued)

Digi-Reel® Most SMT cutdown parts are available on a Digi-Reel®. For Digi-Reel part number, change 1-ND to 6-ND or CT-ND to DKR-ND. See Digi-Key® Services on page 2 for additional information.

Free shipping on orders over S\$135! All prices are in Singapore dollar.

1278 (SG2011-EN) www.digikey.sg — Toll-Free: 800-1011-692 — Telephone: (852) 3104 0500 — Fax: (852) 3104 0686