

Content :

P01_Content

P02_Block_Diagram

P03_FPGA_I/O_1

P04_FPGA_I/O_2

P05_FPGA_Power&Memory

P06_External_Connector

P07_DMD_REG

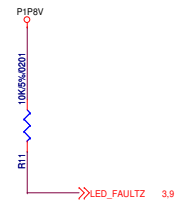
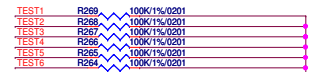
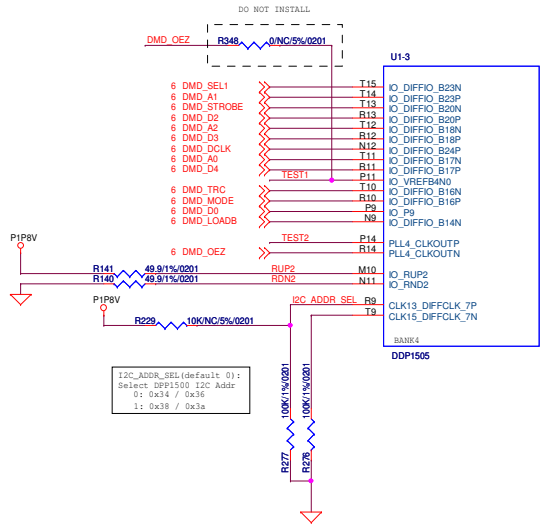
P08_I2C_Level_Shift

P09_MCU

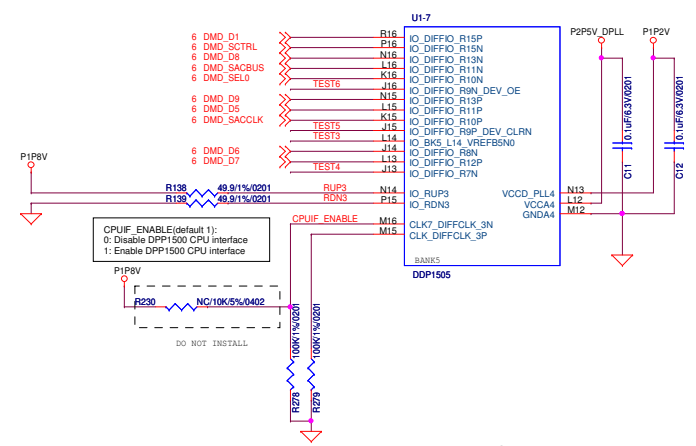
P10_Power



YOUNG Optics			PCBA P/N:	80.L9581G001	PCBA Rev
			PCB P/N:	00.L9581G001	A
Approver	Designer	Drawer	Title	Document Number	PCB Rev
Jim	Benson	Benson	Confidential	FLD11	A
			Date:	Tuesday, December 15, 2009	Rev
			Sheet	1	A
			of	11	11



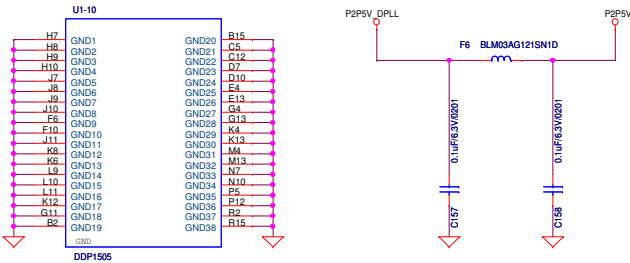
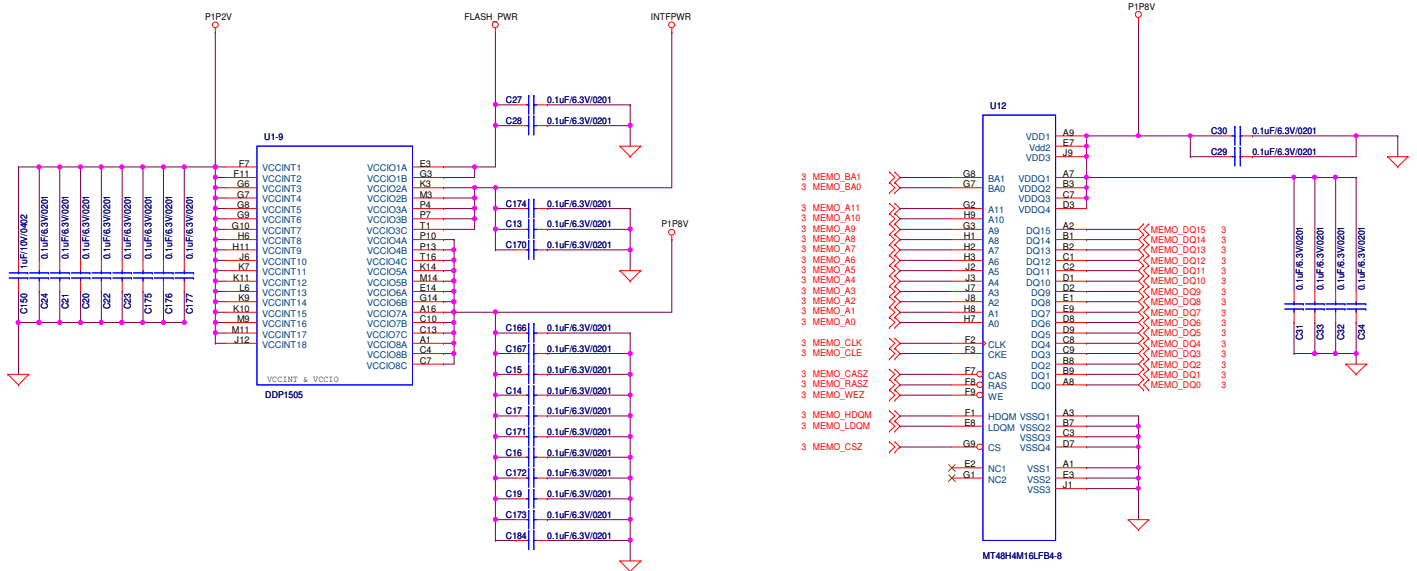
If U51 is not installed
LED_FAULTZ must be pulled
up at the DDP1500 input.



DMD I/O



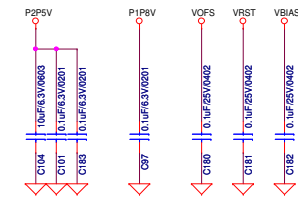
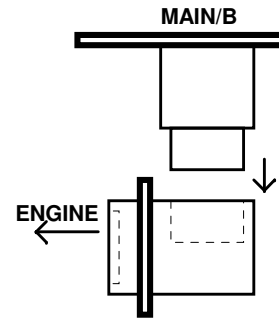
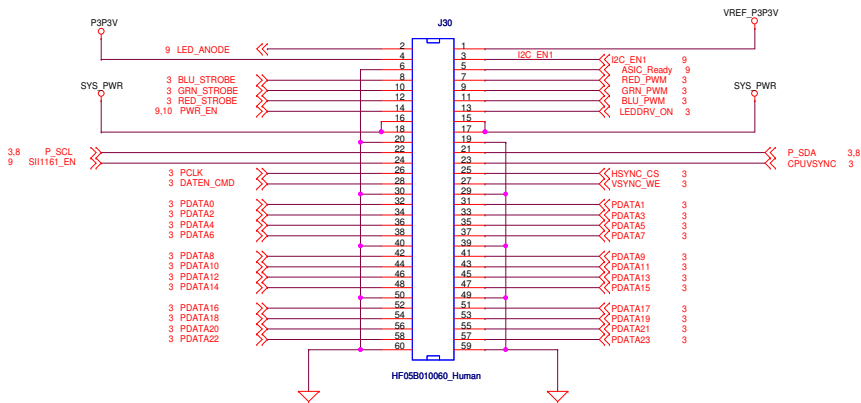
YOUNG Optics			PCBA P/N: 80.L9581G001	PCBA Rev A
Approver	Designer	Drawer	PCB P/N: 00.L9581G001	PCB Rev A
Jim	Benson	Benson	Title: FPGA I/O 2/2	Rev A
Size: C	Document Number: FLD1	Date: Tuesday, December 15, 2009	Sheet 4 of 11	Ver. A



FRAME BUFFER MEMORY

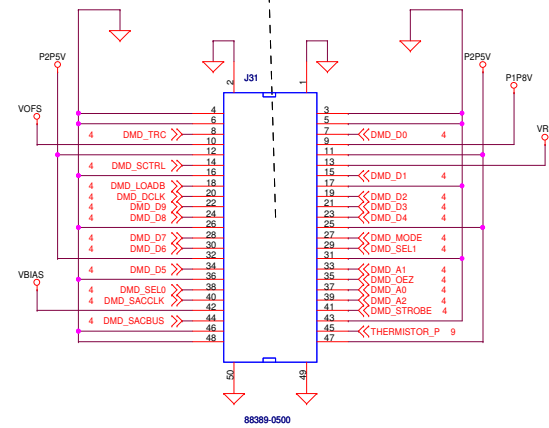
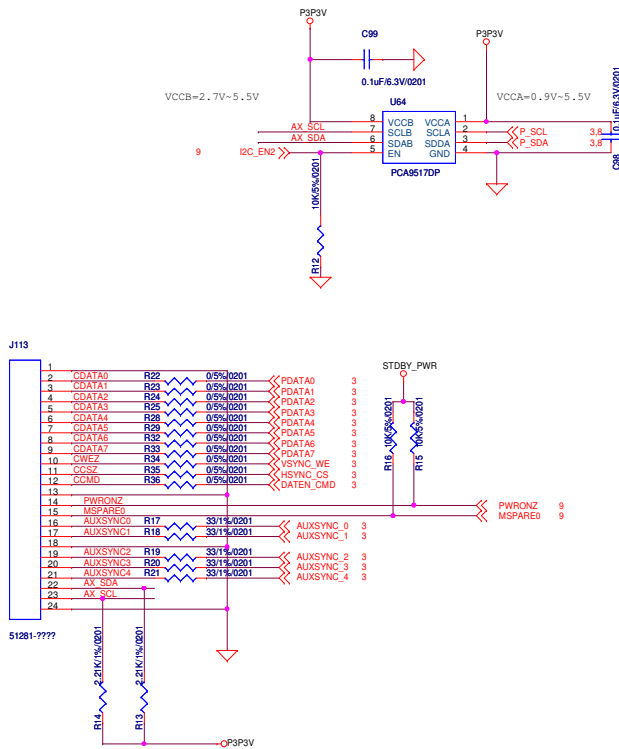


YOUNG Optics			PCBA P/N: 80.L9581G001	PCBA Rev A
Approver: Jim	Designer: Benson	Drawer: Benson	PCB P/N: 00.L9581G001	PCB Rev A
Title: FPGA Power & Memory			Rev A	Rev A
Size: C	Document Number: FLD1	Date: Tuesday, December 15, 2009	Sheet 5 of 11	Rev A



These Caps must be close to J31.

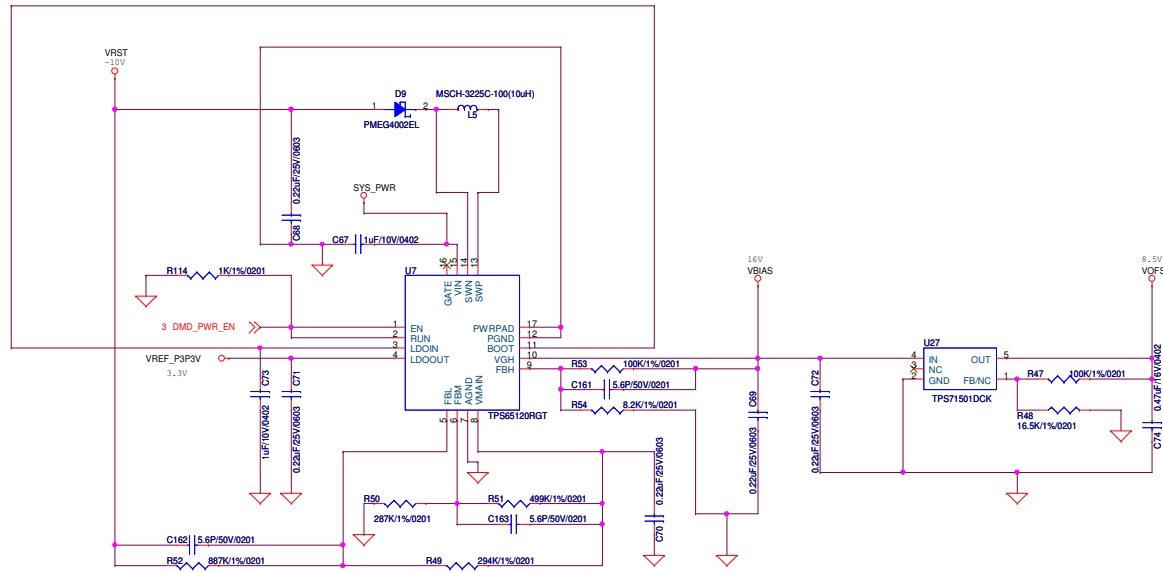
VIDEO CONNECTION



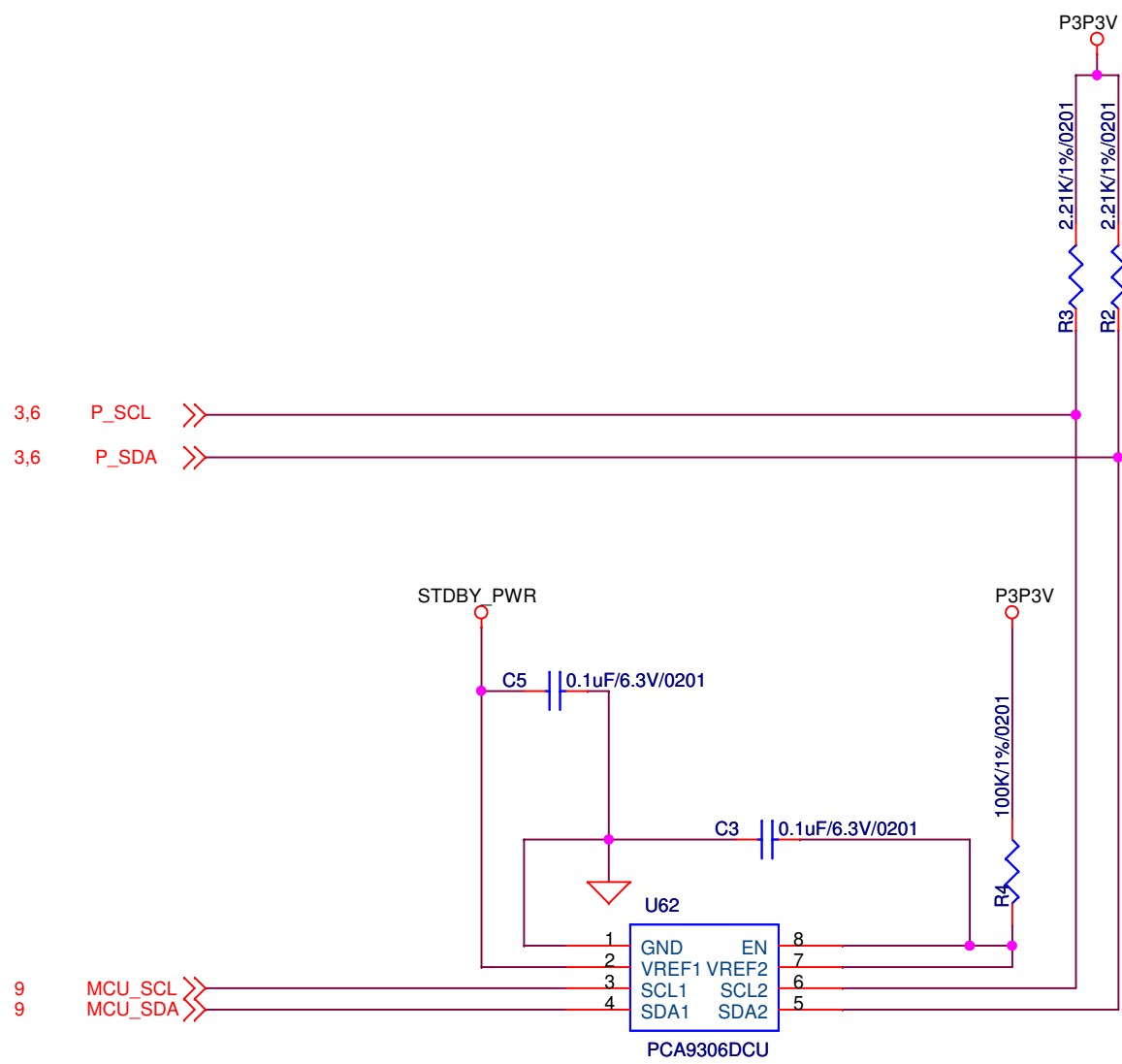
To DMD



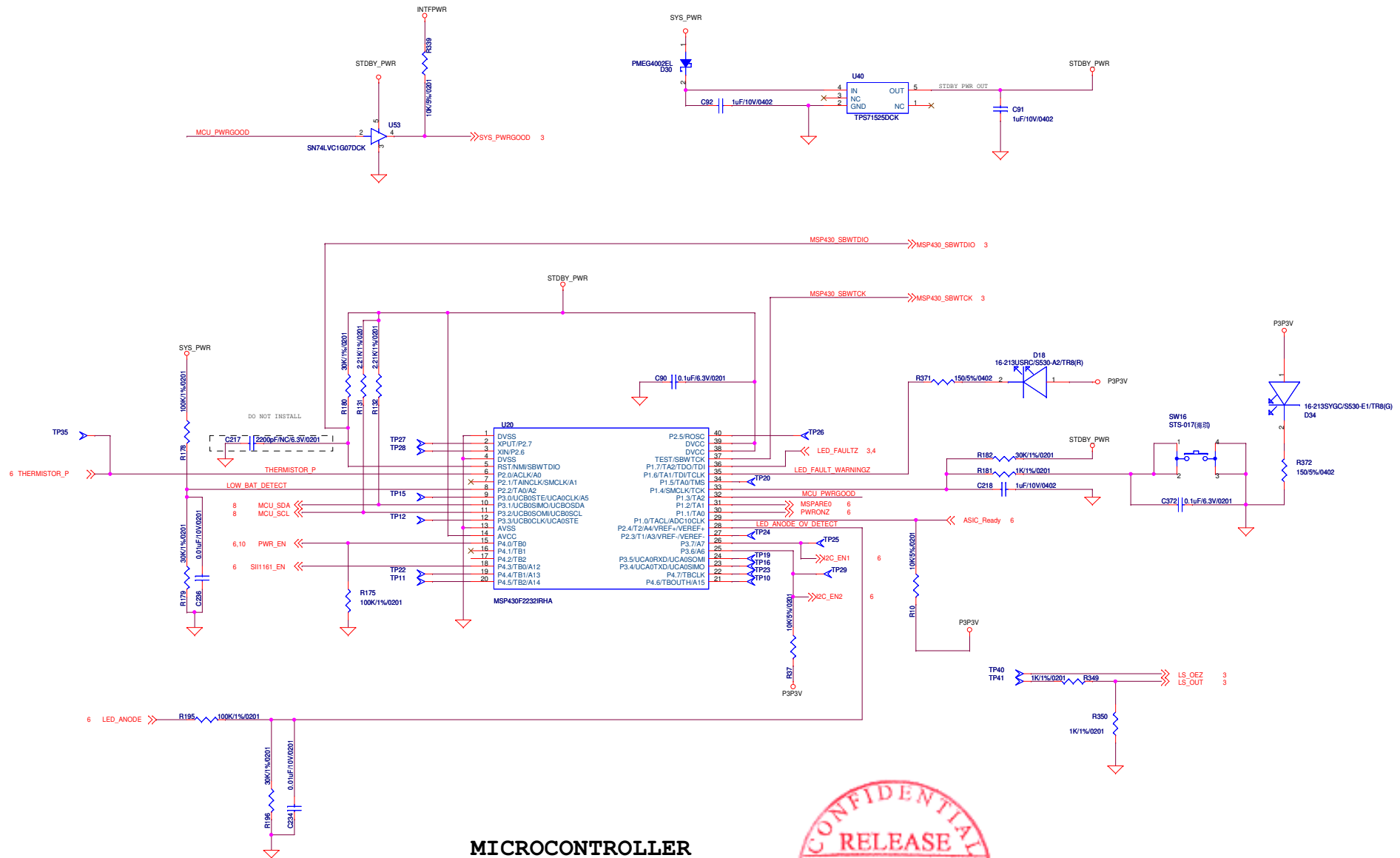
YOUNG Optics			PCBA P/N: 80.L9581G001	PCBA Rev A
			PCB P/N: 00.L9581G001	PCB Rev A
Approver	Designer	Drawer	Title: External Connector	
Jim	Benson	Benson	Size: Document Number	Rev A
			Date: Tuesday, December 15, 2009	Sheet 6 of 11



YOUNG Optics			PCBA P/N:	80.L9581G001	PCBA Rev	A
Approver	Designer	Drawer	PCB P/N:	00.L9581G001	PCB Rev	A
Jim	Benson	Benson	Title	DMD REG	Rev	A
Size	Document Number	Date	Tuesday, December 15, 2009	Sheet	7	of 11
C	FLD1.1					



YOUNG Optics			PCBA P/N:	80.L9581G001	PCBA Rev	A
			PCB P/N:	00.L9581G001	PCB Rev	A
Approver	Designer	Drawer	Title			
Jim	Benson	Benson	I2C Level Shift			
Size		Document Number			Rev	
A		FLD1.1			A	
Date: Tuesday, December 15, 2009				Sheet 8 of 11		



MICROCONTROLLER



YOUNG Optics			PCBA P/N: 80.L9581G001	PCBA Rev A
Approver: Jim	Designer: Benson	Drawer: Benson	PCB P/N: 00.L9581G001	PCB Rev A
Size: C	Document Number: FLD1.1	Rev: A		
Date: Tuesday, December 15, 2009	Sheet: 9	of: 11	01-04-0081LF1_Ver.A	

Version	Date	Description
A	11/25/2009	First Release
A	12/14/2009	Change wire name TEST0 -> AUXSYNC_0 TEST8 -> AUXSYNC_1 TEST9 -> AUXSYNC_2 TEST10 -> AUXSYNC_3 TEST11 -> AUXSYNC_4



YOUNG Optics			PCBA P/N: 80.L9581G001	PCBA Rev A
			PCB P/N: 00.L9581G001	PCB Rev A
Approver	Designer	Drawer	Title	
Jim	Benson	Benson	History	
Size A		Document Number FLD1.1		Rev A
Date: Tuesday, December 15, 2009			Sheet 11 of 11	