



TEXAS INSTRUMENTS

TI DN 2510511 Rev A
May 2009

DLP® Pico DVI-B SCHEMATIC

IMPORTANT NOTICE

BEFORE USING TECHNICAL INFORMATION, THE USER SHOULD CAREFULLY READ THE FOLLOWING TERMS.

The term "Technical Information" includes reference designs, drawings, specifications, and other information relating to TI DLP® products or applications, contained herein or provided separately in any format or via any medium.

TI is providing Technical Information for the convenience of purchasers of DLP® products ("Users"), and will not accept any responsibility or liability arising from providing the Technical Information or its use. Any use or reliance on Technical Information is strictly the responsibility of the User.

1. **No Warranty.** *THE TECHNICAL INFORMATION IS PROVIDED "AS IS"*. TI MAKES NO WARRANTIES OR REPRESENTATIONS, EXPRESS, IMPLIED OR STATUTORY, INCLUDING LACK OF VIRUSES, ACCURACY, OR COMPLETENESS. TI DISCLAIMS ANY WARRANTY OF TITLE, ANY IMPLIED WARRANTIES OF MERCHANTABILITY, FITNESS FOR A PARTICULAR PURPOSE, QUIET ENJOYMENT, QUIET POSSESSION, AND NON-INFRINGEMENT OF ANY THIRD PARTY INTELLECTUAL PROPERTY RIGHTS WITH REGARD TO THE TECHNICAL INFORMATION OR THE USE OF THOSE MATERIALS.
2. **Warranty for Products Not Affected.** The foregoing exclusion and disclaimer of warranty does not affect or diminish any warranty rights with regard to DLP® products. Such rights are governed exclusively by the terms of a written and signed purchase agreement with TI.
3. **Limitations and Exclusion of Damages.** IN NO EVENT SHALL TI BE LIABLE FOR ANY ACTUAL, SPECIAL, INCIDENTAL, CONSEQUENTIAL OR INDIRECT DAMAGES, HOWEVER CAUSED, ON ANY THEORY OF LIABILITY AND WHETHER OR NOT TI HAS BEEN ADVISED OF THE POSSIBILITY OF SUCH DAMAGES, ARISING IN ANY WAY OUT OF THE TECHNICAL INFORMATION OR THE USE OF THE TECHNICAL INFORMATION.
4. **No Engineering Services.** User is fully responsible for all design decisions and engineering with regard to its products, including decisions relating to application of DLP® products. By providing Technical Information TI does not intend to offer or provide engineering services or advice concerning User's design. If User desires engineering services, then User should rely on its retained employees and consultants and/or procure engineering services from a licensed professional engineer ("LPE").
5. **Compliance with Export Control Laws.** Unless prior authorization is obtained from the U.S. Department of Commerce, User may not export, re-export, or release, directly or indirectly, any Technical Information, or export, directly or indirectly, any direct product of such Technical Information to any destination or country to which the export, re-export or release of the Technical Information or direct product is prohibited by the Export Administration Regulations of the U.S. Department of Commerce ("EAR").

Reference

1. DLP® Pico Kit Functional Guide, TI drawing number 2510476
2. DLP® Pico Chipset Interface Manual, TI drawing number 2510477
3. DLP® Pico MAIN-B SCHEMATIC, TI drawing number 2510510
4. DLP® Pico DMD-B SCHEMATIC, TI drawing number 2510512
5. DLP® Pico Geber MAIN BOARD, TI drawing number 2510513
6. DLP® Pico Geber DVI BOARD, TI drawing number 2510514
7. DLP® Pico Geber DMD CONTROL BOARD, TI drawing number 2510515

DLP® Pico Kit DVI board schematic

For a reference of the DLP® Pico Kit DVI board schematic see the design file, ***TI2510511_L9503G001_DVI-B_SCHEMATIC_D02_12222008.DSN***. This file contains the schematic information for the Pico Kit DVI board.

How do I get the design file?

The design file for the DLP® Pico Kit DVI board schematic is available to you through an authorized DLP® Discovery™ value-added reseller (VAR). A list of the VARs can be found at: www.dlpdiscovery.com/var. Please reference the file name above when contacting a VAR.

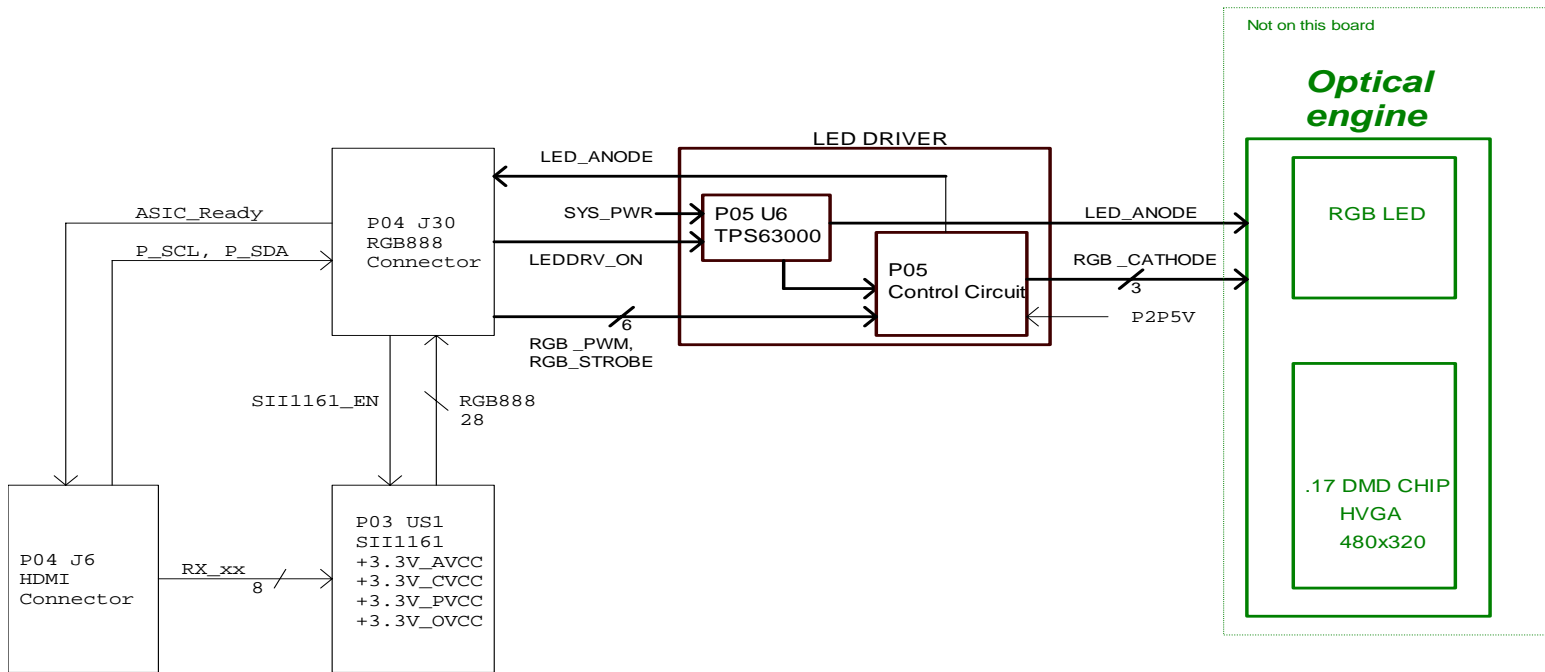
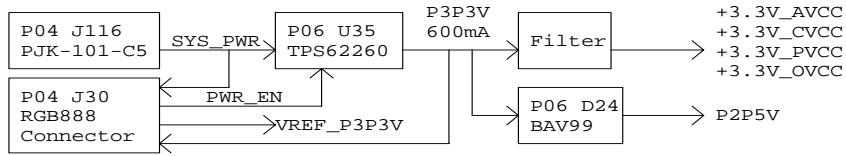
Content :

- P01_Content
- P02_Block_Diagram
- P03_TMDS
- P04_External_Connector
- P05_LED_Driver
- P06_Power



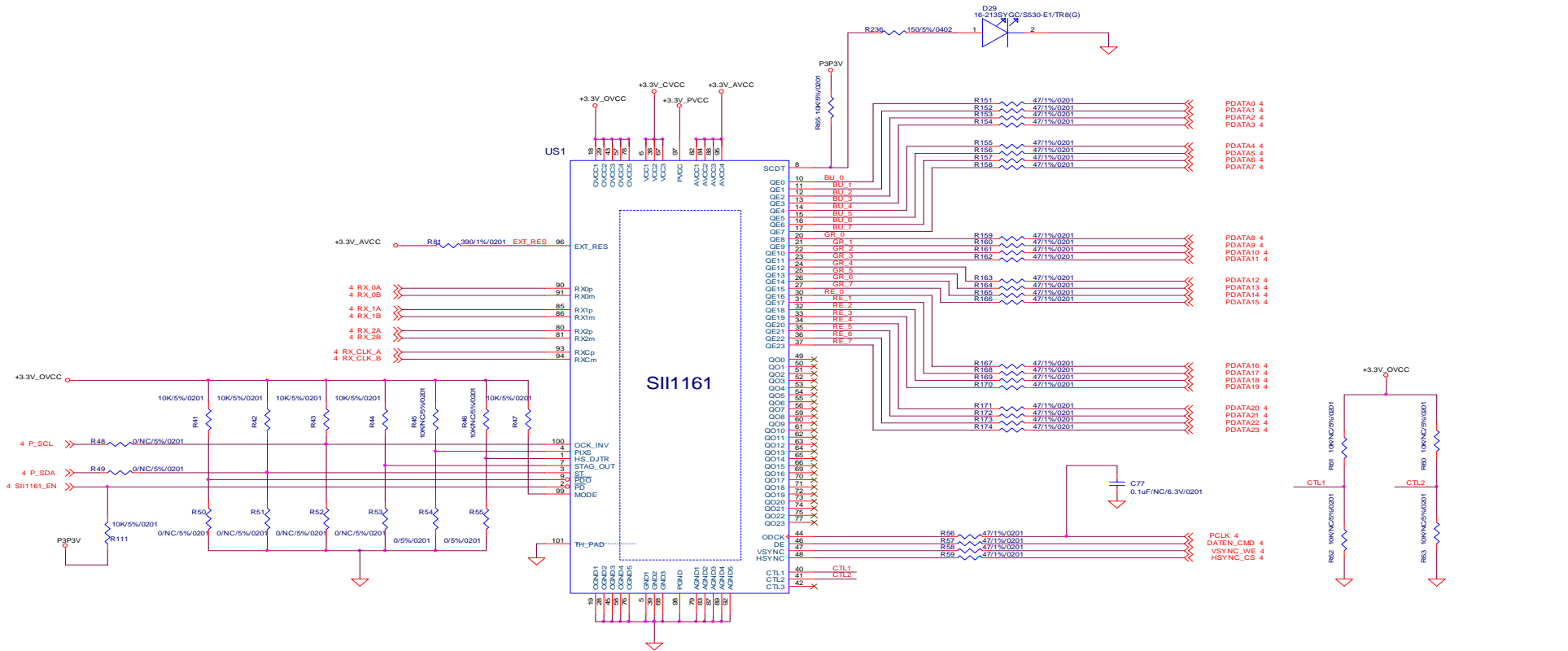
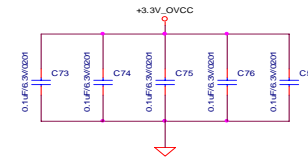
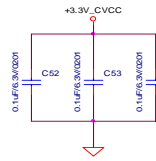
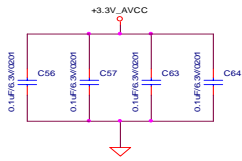
YOUNG Optics			PCBA P/N:	80.L9503G001	PCBA Rev	B
			PCB P/N:	00.L9503G001	PCB Rev	D
Approver	Designer	Draw er	Title			
Daniel	Larry	Larry	Content			
			Size	Document Number	Rev	
			C	FLD	A	
			Date:	Tuesday, March 31, 2009	Sheet	1 of 6

01-04-0085LP1 Ver. A

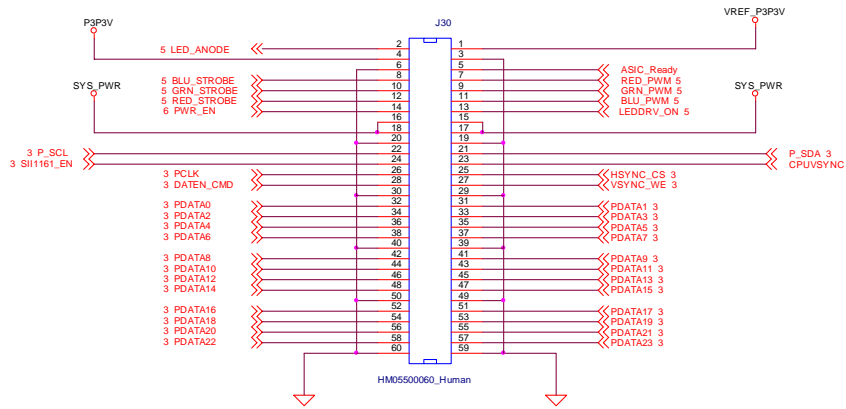


YOUNG Optics			PCBA P/N: 80.L9503G001	PCBA Rev B
Approver	Designer	Draw er	PCB P/N: 00.L9503G001	PCB Rev D
Daniel	Larry	Larry	Title: Block Diagram	
			Size: C	Document Number: FLD
			Date: Tuesday, March 31, 2009	Rev A
			Sheet 2 of 8	

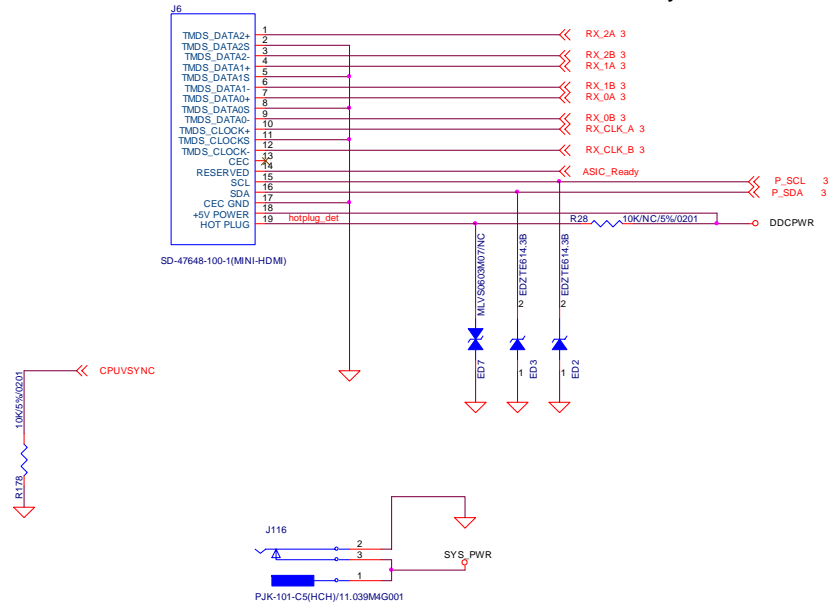
01-04-008TLP1 Ver.A



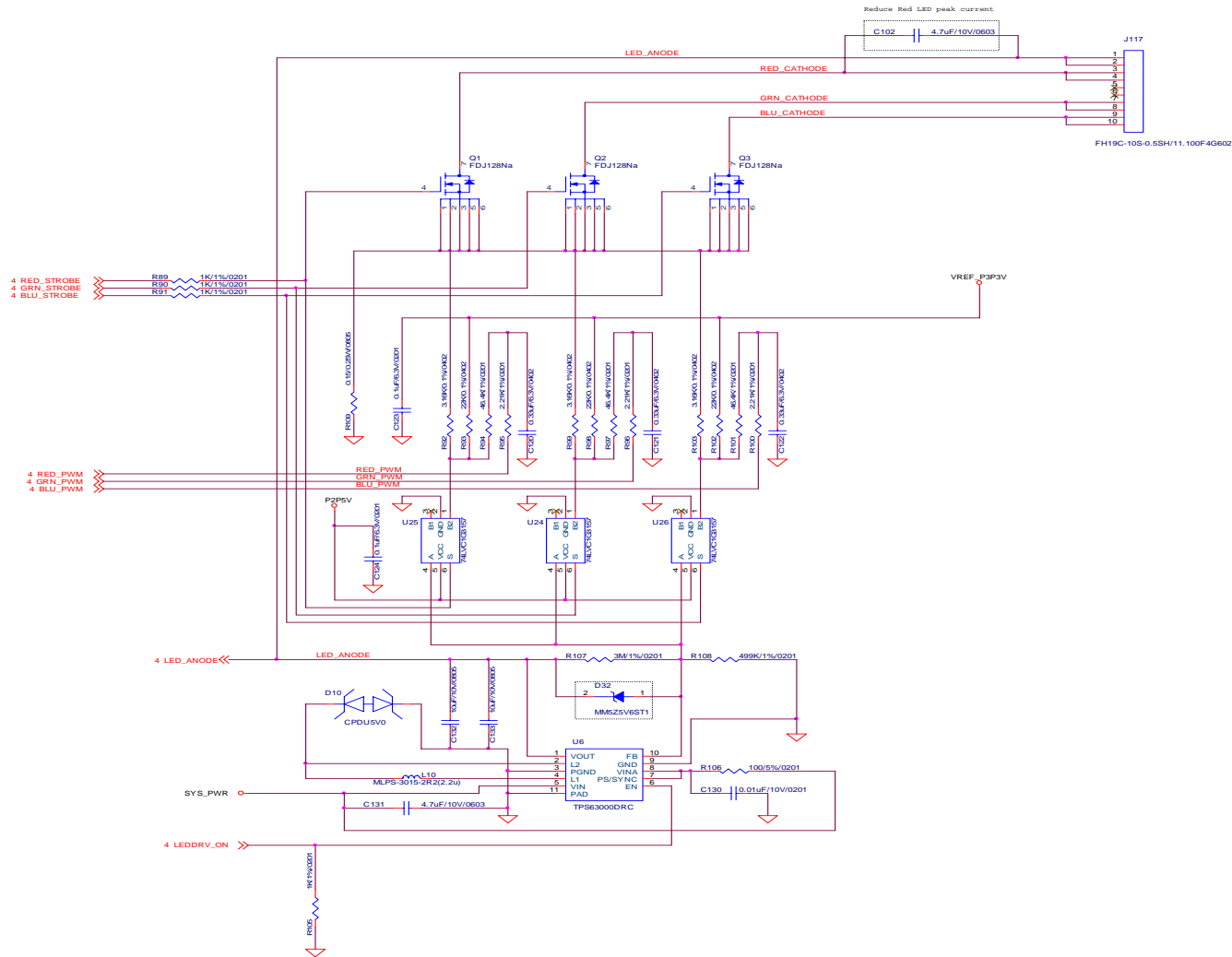
YOUNG Optics			PCBA P/N: 80.L9593C001	PCBA Rev B
PCB P/N: 00.L9593G001			PCB Rev D	
Approver	Designer	Draw er	Title	T.M.D.S
Daniel	Larry	Larry	Size	Document Number
			FLD	Rev A
			Date: 2009-03-30	Sheet 3 of 6



VIDEO CONNECTION

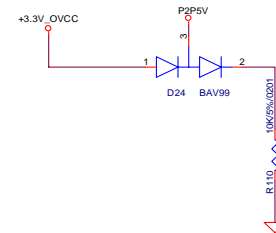
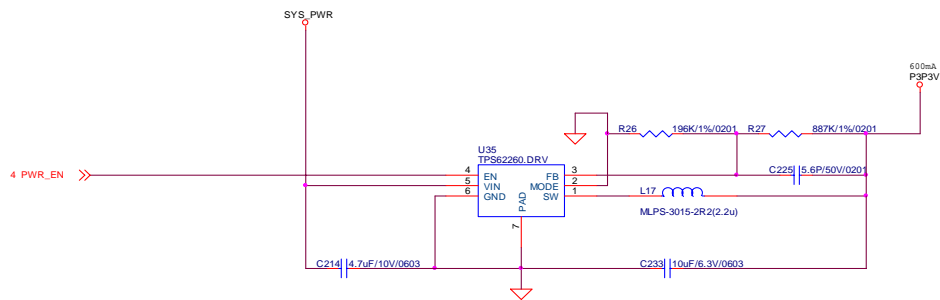
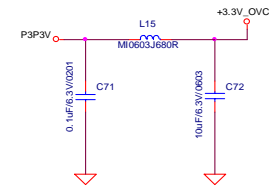
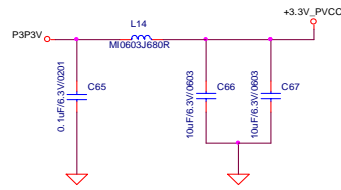
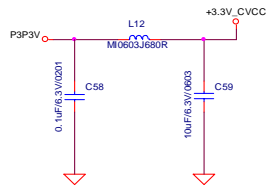
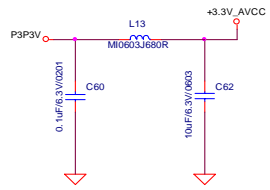


YOUNG Optics			PCBA P/N:	80.L9503G001	PCBA Rev	5
			PCB P/N:	00.L9503G001	PCB Rev	D
Approver	Designer	Draw er	Title			
Daniel	Larry	Larry	External Connector			
			Size	Document Number	Rev	
			C	FLD	A	
			Date:	Tuesday, March 31, 2009	Sheet	4 of 6



YOUNG Optics			PCBA P/N:	80.L9503G001	PCBA Rev	B
			PCB P/N:	00.L9503G001	PCB Rev	D
Approver	Designer	Draw er	Title		LED Driver	
Daniel	Larry	Larry	Size	Document Number	Rev	
			C	FDJ	A	
			Date:	release March 31, 2009	Sheet	5 of 6

01-04-008TLP1 Ver. A



YOUNG Optics			PCBA P/N:	80.L9503G001	PCBA Rev	B
			PCB P/N:	00.L9503G001	PCB Rev	D
Approver	Designer	Drawer	Title			
Daniel	Larry	Larry	Power			
Size		Document Number		Rev		
C		FLD		A		
Date:			Tuesday, March 31, 2009	Sheet	5 of 6	
01-04-0087LP1 Ver. A						