



Diodi

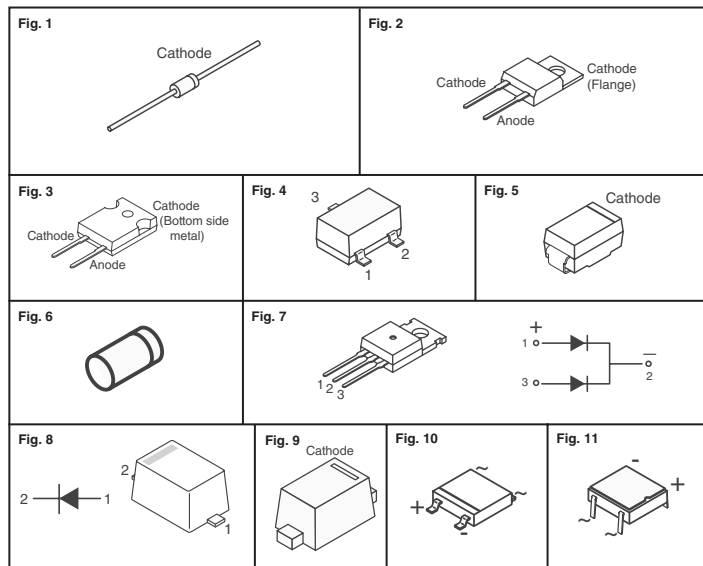


Fig.	Max tensione inversa (V)	Corrente raddrizzata media max (A)	Contenitore	N. di articolo Digi-Key	Prezzo su nastro pre-tagliato			Nastrati in bobina§	
					1	10	100	Q.tà	Prezzi
1	20	1	DO-41	1N5817FSCT-ND	.43	3.12	18.69	5,000	56.06/M
	30	1	DO-41	1N5818FSCT-ND	.43	3.12	18.69	5,000	56.06/M
	30	1	DO-35	FJH1100-ND	13.33	121.24	1030.55	—	—
	40	1	DO-41	1N5819FSCT-ND	.43	3.12	18.69	5,000	56.06/M
	45	12	DO-201AD	SB1245CT-ND	1.50	13.38	106.25	1,250	590.20/M
	50	0.2	DO-35	1N4545CT-ND	.16	1.07	4.64	10,000	9.61/M
	50	0.2	DO-35	1N4500CT-ND	.22	1.47	6.41	—	—
	50	1	DO-41	1N4001FSCT-ND	.26	1.66	7.21	5,000	16.82/M
	50	4	DO-35	1N4150-ND	.25	1.61	7.02	—	—
	70	0.2	DO-35	1N457ACT-ND	.20	1.33	5.79	10,000	18.42/M
2	70	0.2	DO-35	1N457CT-ND	.32	2.08	9.05	10,000	18.42/M
	100	0.2	DO-35	1N914BCT-ND	.13	.83	3.60	10,000	7.21/M
	100	0.2	DO-35	1N914CT-ND	.14	.90	3.92	10,000	8.01/M
	100	0.2	DO-35	1N4148TACT-ND	.11	.75	3.28	5,000	7.72/M
	100	0.2	DO-35	1N4448CT-ND	.16	1.07	4.64	10,000	9.61/M
	100	0.2	DO-35	1N4148FS-ND	.11	.75	3.28	—	—
	100	0.2	DO-35	1N4148FSTR-ND	—	—	—	10,000	6.41/M
	100	1	DO-41	1N4002FSCT-ND	.26	1.66	7.21	5,000	16.82/M
	100	1	DO-35	1N914ACT-ND	.13	.83	3.60	10,000	7.21/M
	100	1	DO-35	1N914B-ND	.13	.83	3.60	—	—
3	100	3	DO-201AD	1N5401FSCT-ND	.42	2.95	17.68	1,250	68.08/M
	125	0.2	DO-35	FDH300TRCT-ND	.39	2.59	11.29	10,000	22.43/M
	125	0.2	DO-35	FDH333-ND	.39	2.59	11.29	—	—
	150	0.2	DO-35	1N3595CT-ND	.32	2.08	9.05	10,000	18.42/M
	200	1	DO-41	1N4003FSCT-ND	.27	1.79	7.77	5,000	18.42/M
	200	3	DO-201AD	1N5402FSCT-ND	.42	2.95	17.68	1,250	68.08/M
	400	1	DO-41	1N4004FSCT-ND	.27	1.79	7.77	5,000	18.42/M
	600	1	DO-41	1N4005FSCT-ND	.29	1.88	8.17	5,000	19.22/M
	600	1	DO-41	1N4937FSCT-ND	.40	2.63	11.45	25,000	19.22/M
	800	1	DO-41	1N4006FSCT-ND	.27	1.79	7.77	5,000	18.42/M
4	1,000	1	DO-41	1N4007FSCT-ND	.27	1.79	7.77	5,000	18.42/M
	1,000	1	DO-41	UF4007CT-ND	.39	2.78	16.67	5,000	49.65/M
	1,000	3	DO-201AD	1N5408FSCT-ND	.47	3.36	20.18	1,250	77.68/M
	200	15	TO-220F	FFPF15UP20STTU-ND	.71	6.31	49.85	—	—
	600	8	TO-220AC	ISL9R860P2-ND	.98	8.66	68.40	—	—
	600	8	TO-220AC	RHRP860-ND	1.10	9.68	76.52	—	—
	600	8	TO-220AC	RURP860-ND	.92	8.13	64.22	—	—
	600	8	TO-220AC	FFP08S60STU-ND	.81	7.18	56.70	—	—
	600	8	TO-220-2L	FFP08S60SNTU-ND	1.03	9.16	72.40	—	—
	600	8	TO-220-2L	FFPF08S60SNTU-ND	.88	7.82	61.81	—	—
5	600	15	TO-220AC	ISL9R1560P2-ND	1.33	12.00	96.49	—	—
	600	15	TO-220AC	RHRP1560-ND	1.39	12.28	97.04	—	—
	600	15	TO-220AC	RURP1560-ND	1.27	11.54	92.70	—	—
	600	30	TO-220AC	ISL9R3060P2-ND	2.56	22.91	187.88	—	—
	600	30	TO-220AC	RURP3060-ND	1.86	16.81	135.08	—	—
	1,000	8	TO-220AC	RURP8100-ND	1.00	8.90	70.32	—	—
	1,200	8	TO-220AC	RHRP8120-ND	.97	8.60	67.98	—	—
	1,200	30	TO-220AC	RHRP30120-ND	1.98	17.89	143.78	—	—
	200	30	TO-247	RURG3020CC-ND	3.23	28.80	236.15	—	—
	600	30	TO-247	ISL9R3060G2-ND	2.73	24.38	199.95	—	—
6	600	30	TO-247	RHRG3060-ND	2.47	22.25	178.79	—	—
	600	30	TO-247	RURG3060CC-ND	3.47	30.99	254.14	—	—
	600	30	TO-247	RURG3060-ND	2.30	20.76	166.86	—	—
	600	50	TO-247	RURG5060-ND	3.29	29.36	240.71	—	—
	600	80	TO-247	RURG8060-ND	4.84	43.28	354.84	—	—
	1,000	80	TO-247	RURG80100-ND	4.75	42.38	347.50	—	—
	1,200	30	TO-247	RHRG30120-ND	2.43	21.63	177.38	—	—
	1,200	75	TO-247	RHRG75120-ND	4.45	39.73	325.78	—	—

Fig.	Max tensione inversa (V)	Corrente raddrizzata media max (A)	Contenitore	N. di articolo Digi-Key	Prezzo su nastro pre-tagliato			Nastrati in bobina§	
					1	10	100	Q.tà	Prezzi
4	30	0.2	SOT-23	BAR43CT-ND	.33	2.20	10.38	3,000	30.43/M
	30	0.2	SOT-23	BAR43CCT-ND	.36	2.43	11.47	3,000	33.64/M
	30	0.2	SOT-23	BAR43SCT-ND	.36	2.43	11.47	3,000	33.69/M
	30	0.2	SOT-23	BAT54FSCT-ND	.38	2.52	10.97	3,000	29.63/M
	30	0.2	SOT-23	BAT54CFSCCT-ND	.38	2.52	10.97	3,000	29.63/M
	30	0.2	SOT-23	BAT54FSCT-ND	.36	2.38	10.33	3,000	28.03/M
	30	0.2	SOT-23	BAT54FSCT-ND	.32	2.08	9.05	3,000	24.83/M
	40	0.75	SOT-23	FYV0704SMTFCT-ND	.37	2.90	19.84	3,000	84.09/M
	50	0.2	SOT-23	BAV74FSCT-ND	.38	2.52	10.97	3,000	29.62/M
	70	0.2	SOT-23	BAV70FSCT-ND	.38	2.52	10.97	3,000	29.62/M
5	70	0.2	SOT-23	BAV99FSCT-ND	.40	2.65	11.53	3,000	31.23/M
	70	0.2	SOT-323	BAV99WT1GFSCT-ND	.34	2.35	11.08	3,000	32.84/M
	85	0.2	SOT-23	BAS16FSCT-ND	.34	2.25	9.77	3,000	26.43/M
	85	0.2	SOT-23	BAW56FSCT-ND	.39	2.56	11.13	3,000	30.06/M
	100	0.2	SOT-23	MMBD1201CT-ND	.37	2.43	10.57	3,000	28.83/M
	100	0.2	SOT-23	MMBD1203CT-ND	.30	2.07	9.74	3,000	28.61/M
	100	0.2	SOT-23	MMBD1204CT-					