



Locking Clamp-On Ferrites for Cable Assembly STAR-FLAT, STAR-TEC, STAR-RING, STAR-FIX and STAR-GAP Series



STAR-FLAT, STAR-TEC, STAR-RING and STAR-FIX Series:

Features: • Prefixing cable system for easy assembling of the snap ferrite • Patented case design prevents air gaps for a perfect EMI suppression • The security lock guarantees electromagnetic compatibility because only authorized persons can unlock the snap ferrite with the STAR-TEC key • The innovative sleek design without any sharp edges makes the ferrite blend in on the cable • Operating temperature: -25°C – 105°C

STAR-GAP Series:

Features: • Worldwide first split case ferrite with 'defined air-gap' (patented) • Especially helpful for EMI problems in frequency range of 100MHz up to 2.5GHz • Data signals up to 100MHz will not be effected • Best performance (impedance) especially with 2 windings • Low magnetic saturation of the material in cases of high DC current applications which therefore gives a low reduction of impedance in comparison to other manufacturers • Pre-fixing and cable protection system is time saving and makes it easier to assemble • Not possible to remove from the cable without the WE key • Non visible locking in closed conditions • Unique and handy case design • With each packing unit you get one WE key for free • With 0.8mm air gap • Material of the plastic case: PA 6, UL94V-0 • Operating temperature: -25°C – 105°C

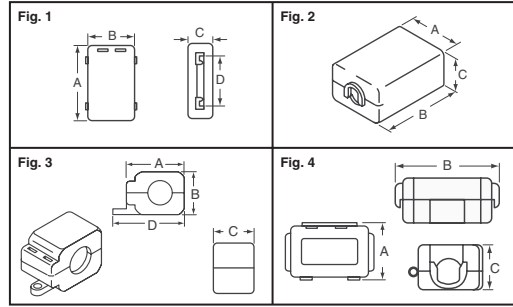
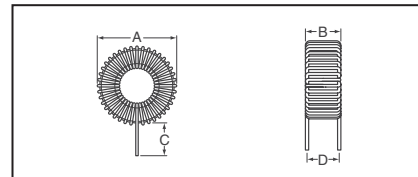


Fig.	Max. Cable Diameter (mm)	Typical Impedance (Ω) with 1 Turn				Dimensions — mm				Digi-Key Part No.	Price Each			Würth Part No.
		@ 1MHz	@ 10MHz	@ 25MHz	@ 100MHz	A	B	C	D		1	25	100	
STAR-FLAT Series														
1	26 Conductor	—	—	97	194	53.3	33.1	16.0	34.0	732-1499-ND	10.21	8.51	7.54	7427246
	40 Conductor	—	—	78	180	71.3	33.1	16.0	52.0	732-1501-ND	14.17	11.82	10.47	7427248
	50 Conductor	—	—	42	114	84.5	19.6	16.0	64.5	732-1502-ND	17.00	14.17	12.55	74272475
STAR-TEC Series														
2	6.0	—	—	176	321	23.7	36.9	18.2	—	732-1503-ND	4.06	3.39	3.00	74271112
	7.5	—	—	145	246	24.2	36.4	20.1	—	732-1504-ND	4.06	3.39	3.00	74271131
	8.5	—	—	141	241	24.2	36.3	19.7	—	732-1505-ND	4.40	3.67	3.25	74271132
	10.5	—	—	151	270	33.6	37.7	29.5	—	732-1506-ND	5.21	4.35	3.85	74271221
	12.5	—	—	145	265	33.5	37.6	28.8	—	732-1507-ND	8.20	6.84	6.06	74271222
STAR-RING Series														
3	8.0	—	—	83	165	23	20	20	30	732-1508-ND	2.27	1.89	1.68	7427153
	14.5	—	—	64	119	32	30	20	40	732-1509-ND	3.24	2.71	2.40	7427151
	16.0	—	—	71	130	35	32	20	43	732-1510-ND	3.76	3.14	2.78	7427154
	27.0	—	—	142	327	48	44	20	55	732-1511-ND	9.61	8.01	7.10	7427155
STAR-FIX Series														
4	8.0	30	45	—	—	21.7	35.1	18.2	—	732-2404-ND	8.65	7.21	6.39	74272733
	8.0	—	—	145	246	21.7	35.1	18.2	—	732-1914-ND	5.13	4.28	3.79	74271733
	12.5	—	—	151	270	31.0	35.1	28.0	—	732-1913-ND	7.77	6.48	5.74	74271722
STAR-GAP Series														
4	8.5	—	—	28	100	21.7	35.1	19	—	732-1514-ND	4.83	4.03	3.57	74271633S
	12.5	—	—	35	140	31.5	35	28.3	—	732-1513-ND	9.61	8.01	7.10	74271622S
STAR-TEC Key to open all clamps listed above										732-1498-ND	.34	.29	.26	74271

732-1915-ND (742791) Ferrite SMD Series Kit for 1206 – 1812 Sizes (See Digi-Key website for contents of kit) 73.55
 732-1916-ND (742790) Ferrite SMD Series Kit for 0402 – 0805 Sizes (See Digi-Key website for contents of kit) 73.55

WE-SI Series — Leaded Toroidal Storage Chokes



Features:
 • Low magnetic stray field
 • Low leakage and minimal noise because of the toroidal core made of iron powder

Applications:
 • Used in switching power supplies and voltage transformers
 • DC/DC converter up to 100kHz

Inductance (µH)	DCR Maximum (Ω)	Rated Current (A)	Dimensions — mm				Digi-Key Part No.	Price Each			Würth Part No.
			A (Max.)	B (Max.)	C	D		1	25	100	
100	.300	0.5	15.0	8.0	12.0	7.0	732-2268-ND	3.13	2.62	2.32	744103
150	.400	0.5	17.5	8.0	12.0	7.0	732-2269-ND	3.13	2.62	2.32	744104
220	.400	0.5	17.5	8.0	12.0	7.0	732-2270-ND	3.13	2.62	2.32	744105
330	.700	0.5	17.5	8.0	12.0	7.0	732-2271-ND	3.56	2.97	2.63	744106
470	.700	0.5	22.5	12.0	12.0	10.5	732-2272-ND	4.21	3.52	3.12	744107
100	.120	1.0	18.0	9.0	20.0	7.5	732-2273-ND	3.65	3.05	2.70	744114
150	.180	1.0	18.0	9.0	20.0	7.5	732-2274-ND	3.65	3.05	2.70	744115
220	.200	1.0	18.5	9.5	12.0	8.0	732-2275-ND	3.84	3.21	2.84	744116
330	.250	1.0	23.0	12.5	12.0	11.0	732-2276-ND	4.27	3.56	3.16	744117
470	.330	1.0	30.0	14.0	12.0	12.5	732-2277-ND	5.98	4.99	4.42	744118
680	.400	1.0	30.0	14.0	12.0	13.0	732-2278-ND	6.83	5.70	5.05	744119
100	.063	3.0	31.0	13.5	12.0	10.0	732-2279-ND	4.82	4.02	3.56	744135
220	.140	3.0	31.0	15.0	12.0	13.0	732-2280-ND	6.83	5.70	5.05	744136
300	.175	3.0	31.0	15.0	12.0	13.0	732-2281-ND	7.26	6.06	5.36	744137
470	.240	3.0	42.0	15.0	12.0	13.0	732-2282-ND	8.54	7.12	6.31	744138
680	.280	3.0	44.0	18.5	12.0	16.0	732-2283-ND	9.83	8.19	7.26	744139
100	.055	5.0	32.0	15.5	12.0	13.0	732-2284-ND	7.61	6.34	5.62	744154
150	.060	5.0	43.0	15.0	12.0	13.0	732-2285-ND	8.97	7.48	6.63	744155
220	.070	5.0	44.0	15.5	12.0	13.5	732-2286-ND	8.97	7.48	6.63	744156

1584 (EU2011-EN) **Free shipping on orders over €65! All prices in euro and include duties.**