

Fig.	Description	Couleur émise	Lentille	Longueur d'onde de crête (nm)	Vf typ (V)	If max. (mA)	Iv (mcd) à 20 mA	Angle de visualisation (2x Théta)	N° de référence Digi-Key	Prix de bande coupée			N° de référence Digi-Key	Bande et bobine		N° de référence Kingbright		
										1	10	100		Qté	Prix			
1	3 x 2mm	Vert	Water Clear*	574	2.1	30	60	90°	754-1000-1-ND	.26	1.94	14.21	754-1000-2-ND	2,000	77.93/M	AA3020ACGCK		
		Rouge HE	Water Clear*	627	2.0	30	20	90°	754-1001-1-ND	.23	1.69	12.35	754-1001-2-ND	2,000	67.76/M	AA3020AEC		
		Bleu	Water Clear*	468	3.2	30	60	90°	754-1002-1-ND	.50	3.72	27.26	754-1002-2-ND	2,000	149.07/M	AA3020APBC/A		
		Super orange	Water Clear*	610	2.1	30	150	90°	754-1003-1-ND	.25	1.87	13.75	754-1003-2-ND	2,000	75.39/M	AA3020ASECK		
		Super vert	Water Clear*	565	2.2	25	30	90°	754-1004-1-ND	.23	1.69	12.35	754-1004-2-ND	2,000	67.76/M	AA3020ASGC		
		Super rouge	Water Clear*	660	1.85	30	120	90°	754-1005-1-ND	.24	1.74	12.82	754-1005-2-ND	2,000	70.30/M	AA3020ASRC		
		Hyper rouge	Water Clear*	650	1.95	30	200	90°	754-1006-1-ND	.25	1.87	13.75	754-1006-2-ND	2,000	75.39/M	AA3020ASURCK		
		Super jaune	Water Clear*	590	2.0	30	100	90°	754-1007-1-ND	.25	1.87	13.75	754-1007-2-ND	2,000	75.39/M	AA3020ASYCK		
		Jaune	Water Clear*	590	2.1	30	15	90°	754-1008-1-ND	.23	1.69	12.35	754-1008-2-ND	2,000	67.76/M	AA3020AYC		
		Vert	Water Clear*	574	2.1	30	70	90°	754-1017-1-ND	.36	2.70	19.80	754-1017-2-ND	500	64.80	AA4040CGCK		
		Bleu	Water Clear*	468	3.3	30	150	90°	754-1018-1-ND	.83	6.19	45.42	754-1018-2-ND	500	148.65	AA4040BC/D		
		Super vert	Water Clear*	565	2.2	25	25	90°	754-1019-1-ND	.33	2.48	18.17	754-1019-2-ND	500	59.29	AA4040SGC		
Super rouge	Water Clear*	660	1.85	30	120	90°	754-1020-1-ND	.33	2.48	18.17	754-1020-2-ND	500	59.29	AA4040SRC				
Hyper rouge	Water Clear*	650	1.95	30	180	90°	754-1021-1-ND	.39	2.89	21.20	754-1021-2-ND	500	69.45	AA4040SURCK				
Super jaune	Water Clear*	590	2.0	30	120	90°	754-1022-1-ND	.39	2.89	21.20	754-1022-2-ND	500	69.45	AA4040SYCK				
3	3.5 x 2.8mm	Vert	Water Clear*	574	2.1	30	60	120°	754-1009-1-ND	.26	1.94	14.21	754-1009-2-ND	1,500	77.93/M	AA3528ACGCK		
		Rouge HE	Water Clear*	627	2.0	30	30	120°	754-1010-1-ND	.22	1.62	11.88	754-1010-2-ND	1,500	65.22/M	AA3528AEC		
		Bleu	Water Clear*	468	3.2	30	60	120°	754-1011-1-ND	.50	3.72	27.26	754-1011-2-ND	1,500	149.08/M	AA3528APBC/A		
		Rose	Water Clear*	0.3/0.2§	3.3	30	290	120°	754-1312-1-ND	1.21	8.48	66.62	754-1312-2-ND	1,500	363.36/M	AA3528APR2C/A		
		Violet	Water Clear*	0.2/0.1§	3.3	30	160	120°	754-1313-1-ND	1.21	8.48	66.62	754-1313-2-ND	1,500	363.36/M	AA3528APR7C/A		
		Super vert	Water Clear*	565	2.2	25	25	120°	754-1012-1-ND	.22	1.62	11.88	754-1012-2-ND	1,500	65.22/M	AA3528ASGC		
		Super rouge	Water Clear*	660	1.85	30	150	120°	754-1013-1-ND	.22	1.62	11.88	754-1013-2-ND	1,500	65.22/M	AA3528ASRC		
		Hyper rouge	Water Clear*	650	1.95	30	200	120°	754-1014-1-ND	.25	1.87	13.75	754-1014-2-ND	1,500	75.38/M	AA3528ASURCK		
		Super jaune	Water Clear*	590	2.0	30	150	120°	754-1015-1-ND	.25	1.87	13.75	754-1015-2-ND	1,500	75.38/M	AA3528ASYCK		
		Jaune	Water Clear*	590	2.1	30	15	120°	754-1016-1-ND	.22	1.62	11.88	754-1016-2-ND	1,500	65.22/M	AA3528AYC		
		Vert	Water Clear*	574	2.1	30	60	110°	754-1051-1-ND	.22	1.65	12.11	754-1051-2-ND	2,000	66.07/M	APA1606CGCK		
		Bleu	Water Clear*	468	3.2	30	60	110°	754-1052-1-ND	.47	3.52	25.86	754-1052-2-ND	2,000	141.45/M	APA1606PBC/A		
Super orange	Water Clear*	610	2.1	30	250	110°	754-1053-1-ND	.20	1.49	10.95	754-1053-2-ND	2,000	60.14/M	APA1606SECK				
Hyper rouge	Water Clear*	650	1.95	30	250	110°	754-1054-1-ND	.20	1.49	10.95	754-1054-2-ND	2,000	60.14/M	APA1606SURCK				
Super jaune	Water Clear*	590	2.0	30	150	110°	754-1055-1-ND	.20	1.49	10.95	754-1055-2-ND	2,000	60.14/M	APA1606SYCK				
Jaune	Water Clear*	515	3.3	25	250	110°	754-1056-1-ND	.66	4.95	36.34	754-1056-2-ND	2,000	198.20/M	APA1606ZGC				
5	2.1 x 0.6mm	Vert	Water Clear*	574	2.1	30	60	120°	754-1057-1-ND	.22	1.65	12.11	754-1057-2-ND	2,000	66.07/M	APA2106CGCK		
		Bleu	Water Clear*	468	3.2	30	60	120°	754-1058-1-ND	.47	3.52	25.86	754-1058-2-ND	2,000	141.45/M	APA2106PBC/A		
		Super orange	Water Clear*	610	2.1	30	250	120°	754-1059-1-ND	.20	1.49	10.95	754-1059-2-ND	2,000	60.14/M	APA2106SECK		
		Hyper rouge	Water Clear*	650	1.95	30	250	120°	754-1060-1-ND	.20	1.49	10.95	754-1060-2-ND	2,000	60.14/M	APA2106SURCK		
		Super jaune	Water Clear*	590	2.0	30	150	120°	754-1061-1-ND	.20	1.49	10.95	754-1061-2-ND	2,000	60.14/M	APA2106SYCK		
		Vert	Water Clear*	515	3.3	25	250	120°	754-1062-1-ND	.66	4.95	36.34	754-1062-2-ND	2,000	198.20/M	APA2106ZGC		
		Vert	Water Clear*	574	2.1	30	60	120°	754-1063-1-ND	.28	2.07	15.14	754-1063-2-ND	2,000	83.01/M	APA3010CGCK		
		Rouge HE	Water Clear*	627	2.0	30	15	120°	754-1064-1-ND	.19	1.47	10.71	754-1064-2-ND	2,000	58.45/M	APA3010ECC		
		Mega vert	Water Clear*	574	2.1	30	80	120°	754-1066-1-ND	.50	3.72	27.26	754-1066-2-ND	2,000	149.07/M	APA3010MGC		
		Bleu	Water Clear*	468	3.2	30	60	120°	754-1068-1-ND	.47	3.52	25.86	754-1068-2-ND	2,000	141.45/M	APA3010PBC/A		
		Super orange	Water Clear*	610	2.1	30	250	120°	754-1069-1-ND	.20	1.49	10.95	754-1069-2-ND	2,000	60.14/M	APA3010SECK		
		Super vert	Water Clear*	565	2.2	25	15	120°	754-1071-1-ND	.19	1.47	10.71	754-1071-2-ND	2,000	58.45/M	APA3010SGC		
Super rouge	Water Clear*	660	1.85	30	100	120°	754-1072-1-ND	.19	1.47	10.71	754-1072-2-ND	2,000	58.45/M	APA3010SRCPRV				
Super jaune	Water Clear*	590	2.0	30	150	120°	754-1073-1-ND	.20	1.49	10.95	754-1073-2-ND	2,000	60.14/M	APA3010SYCK				
Jaune	Water Clear*	590	2.1	30	7	120°	754-1074-1-ND	.19	1.47	10.71	754-1074-2-ND	2,000	58.45/M	APA3010YCC				
Vert	Water Clear*	515	3.3	25	250	120°	754-1075-1-ND	.66	4.95	36.34	754-1075-2-ND	2,000	198.20/M	APA3010ZGC				
7	3.2 x 2.4mm	Rouge/Vert HE	Water Clear*	627/565	2/2.2	30/25	60/40	20°	754-1076-1-ND	.30	2.29	16.77	754-1076-2-ND	1,500	91.48/M	APB3224ESGC-F01		
		Jaune/Vert	Water Clear*	590/574	2/2.1	30/30	500/300	20°	754-1077-1-ND	.33	2.48	18.17	754-1077-2-ND	1,500	99.10/M	APB3224SYCKGCK-F01		
8	3.0 x 2.5mm	Rouge/Vert HE	Water Clear*	627/565	2/2.2	30/25	20/20	100°	754-1078-1-ND	.30	2.29	16.77	754-1078-2-ND	2,000	91.48/M	APB3224ESGC-F01		
		Rouge/Jaune HE	Water Clear*	627/590	2/2.1	30/30	20/15	100°	754-1079-1-ND	.30	2.29	16.77	754-1079-2-ND	2,000	91.48/M	APB3224EYCC-F01		
9	3.2 x 2.4mm	Vert	Water Clear*	574	2.1	30	550	20°	754-1081-1-ND	.25	1.87	13.75	754-1081-2-ND	1,500	75.38/M	APD3224CGCK-F01		
		Rouge HE	Water Clear*	627	2.0	30	70	20°	754-1082-1-ND	.19	1.36	10.02	754-1082-2-ND	1,500	55.06/M	APD3224ECC-F01		
10	3.2 x 3.6mm	Bleu	Water Clear*	468/650	3.2/1.95	30/30	50/200	120°	754-1083-1-ND	.53	3.94	28.88	754-1083-2-ND	1,500	157.54/M	APD3224PBC/A-F01		
		Super orange	Water Clear*	610	2.1	30	1300	20°	754-1084-1-ND	.23	1.69	12.35	754-1084-2-ND	1,500	67.76/M	APD3224SECK-F01		
		Super vert	Water Clear*	565	2.2	25	70	20°	754-1085-1-ND	.19	1.36	10.02	754-1085-2-ND	1,500	55.06/M	APD3224SGC-F01		
		Hyper rouge	Water Clear*	650	1.95	30	1000	20°	754-1086-1-ND	.23	1.69	12.35	754-1086-2-ND	1,500	67.76/M	APD3224SURCK-F01		
		Super jaune	Water Clear*	590	2.0	30	600	20°	754-1087-1-ND	.23	1.69	12.35	754-1087-2-ND	1,500	67.76/M	APD3224SYCK-F01		
		Jaune	Water Clear*	590	2.1	30	40	20°	754-1088-1-ND	.19	1.36	10.02	754-1088-2-ND	1,500	55.06/M	APD3224YCC-F01		
		Vert	Water Clear*	515	3.3	25	2400	20°	754-1089-1-ND	.66	4.95	36.34	754-1089-2-ND	1,500	198.20/M	APD3224ZGC-F01		
		Vert/Jaune	Water Clear*	574/590	2.1/2	30/30	80/150	120°	754-1091-1-ND	.33	2.48	18.17	754-1091-2-ND	2,000	99.10/M	APHM2012CGKSYCK		
		Bleu/Rouge	Water Clear*	468/650	3.2/1.95	30/30	50/200	120°	754-1092-1-ND	.88	6.61	48.45	754-1092-2-ND	2,000	264.27/M	APHM2012PBASURCK		
		Rouge/Vert	Water Clear*	650/574	1.95/2.1	30/30	200/80	120°	754-1093-1-ND	.33	2.48	18.17	754-1093-2-ND	2,000	99.10/M	APHM2012SURCKGCK		
		12	2.0 x 1.25mm	Vert	Water Clear*	574	2.1	30	40	110°	754-1094-1-ND	.17	1.24	9.09	754-1094-2-ND	2,000	49.98/M	APHM2012CGCK-F01
				Bleu	Water Clear*	468	3.2	30	60	110°	754-1095-1-ND	.47	3.52	25.86	754-1095-2-ND	2,000	141.45/M	APHM2012PBC/A-F01
Super orange	Water Clear*			610	2.1	30												

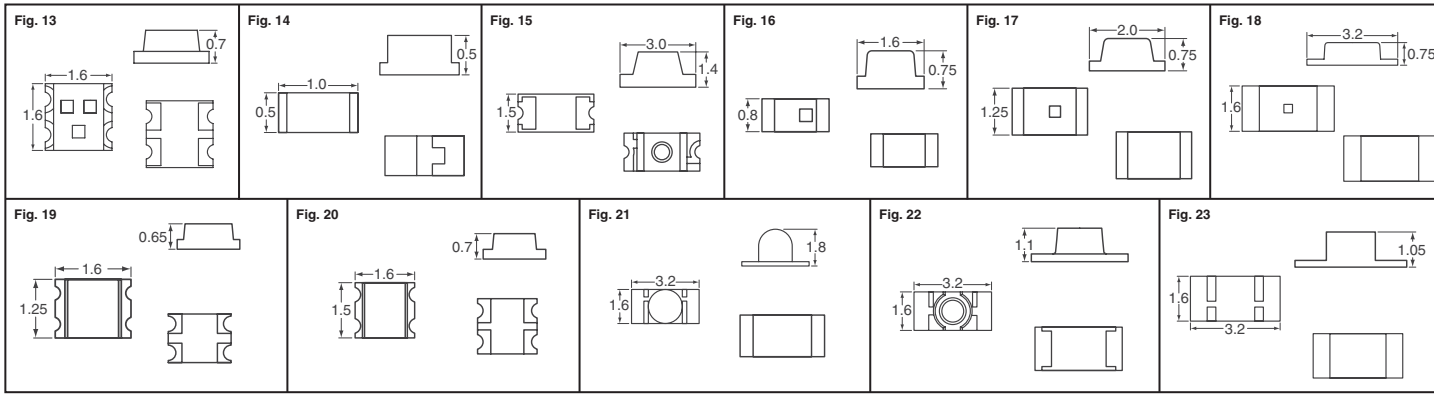


Fig.	Description	Couleur émise	Lentille	Longueur d'onde de crête (nm)	Vf typ (V)	If max. (mA)	lv (mcd) à 20 mA	Angle de visualisation (2 x Théta)	N° de référence Digi-Key	Prix de bande coupée			N° de référence Digi-Key	Bande et bobine		N° de référence Kingbright
										1	10	100		Qté	Prix	
12	2.0 x 1.25mm	Super jaune	Water Clear*	590	2.0	30	120	110°	754-1098-1-ND	.15	1.11	8.16	754-1098-2-ND	2,000	44.89/M	APHCM2012SYCK-F01
		Vert	Water Clear*	515	3.3	25	300	110°	754-1099-1-ND	.61	4.54	33.31	754-1099-2-ND	2,000	182.11/M	APHCM2012ZGCF01
13	1.6 x 1.6mm	Bleu/Rouge/Vert	Water Clear*	630/520/468	2.0/3.2/3.2	30/30/30	400/180/40	120°	754-1318-1-ND	3.03	21.20	166.55	754-1318-2-ND	2,000	908.83/M	APT1616SSEEVGAPBAC
14	1.0 x 0.5mm	Vert	Water Clear*	574	2.1	30	40	120°	754-1101-1-ND	.20	1.49	10.95	754-1101-2-ND	2,000	60.14/M	APPHS1005CGCK
		Bleu	Water Clear*	468	3.2	30	60	120°	754-1102-1-ND	.47	3.52	25.86	754-1102-2-ND	2,000	141.45/M	APPHS1005PBC/A
		Super orange	Water Clear*	610	2.1	30	160	120°	754-1103-1-ND	.25	1.87	13.75	754-1103-2-ND	2,000	75.39/M	APPHS1005SECK
		Hyper rouge	Water Clear*	650	1.95	30	150	120°	754-1104-1-ND	.25	1.87	13.75	754-1104-2-ND	2,000	75.39/M	APPHS1005SURCK
		Super jaune	Water Clear*	590	2.0	30	120	120°	754-1105-1-ND	.22	1.65	12.11	754-1105-2-ND	2,000	66.07/M	APPHS1005SYCK
15	3.0 x 1.5mm	Vert	Water Clear*	574	2.1	30	90	70°	754-1106-1-ND	.19	1.36	10.02	754-1106-2-ND	2,000	55.06/M	APL3015CGCK-F01
		Rouge HE	Water Clear*	627	2.0	30	20	70°	754-1107-1-ND	.14	1.05	7.69	754-1107-2-ND	2,000	42.35/M	APL3015EC-F01
		Méga vert	Water Clear*	574	2.1	30	140	70°	754-1108-1-ND	.44	3.30	24.22	754-1108-2-ND	2,000	132.13/M	APL3015MGC-F01
		Bleu	Water Clear*	468	3.2	30	120	70°	754-1109-1-ND	.44	3.30	24.22	754-1109-2-ND	2,000	132.13/M	APL3015PBC/A-F01
		Super orange	Water Clear*	610	2.1	30	300	70°	754-1110-1-ND	.15	1.11	8.16	754-1110-2-ND	2,000	44.89/M	APL3015SECK-F01
		Super vert	Water Clear*	565	2.2	25	20	70°	754-1111-1-ND	.13	.96	6.99	754-1111-2-ND	2,000	38.12/M	APL3015SGCF01
		Super rouge	Water Clear*	660	1.85	30	150	70°	754-1112-1-ND	.15	1.11	8.16	754-1112-2-ND	2,000	44.89/M	APL3015SRCPRV-F01
		Hyper rouge	Water Clear*	650	1.95	30	240	70°	754-1113-1-ND	.15	1.11	8.16	754-1113-2-ND	2,000	44.89/M	APL3015SURCK-F01
		Super jaune	Water Clear*	590	2.0	30	150	70°	754-1114-1-ND	.15	1.11	8.16	754-1114-2-ND	2,000	44.89/M	APL3015SYCK-F01
		Vert	Water Clear*	515	3.3	25	850	70°	754-1115-1-ND	.61	4.54	33.31	754-1115-2-ND	2,000	182.11/M	APL3015ZGCF01
16	1.6 x 0.8mm	Vert	Water Clear*	574	2.1	30	40	120°	754-1116-1-ND	.14	1.08	7.92	754-1116-2-ND	2,000	43.20/M	APT1608CGCK
		Rouge HE	Water Clear*	627	2.0	30	12	120°	754-1117-1-ND	.11	.80	5.83	754-1117-2-ND	2,000	32.19/M	APT1608EC
		Méga vert	Water Clear*	574	2.1	30	70	120°	754-1118-1-ND	.47	3.52	25.86	754-1118-2-ND	2,000	141.45/M	APT1608MGC
		Bleu	Water Clear*	468	3.2	30	60	120°	754-1119-1-ND	.44	3.30	24.22	754-1119-2-ND	2,000	132.13/M	APT1608PBC/A
		Super orange	Water Clear*	610	2.1	30	160	120°	754-1120-1-ND	.14	.98	7.22	754-1120-2-ND	2,000	39.81/M	APT1608SECK
		Super vert	Water Clear*	565	2.2	25	15	120°	754-1121-1-ND	.11	.80	5.83	754-1121-2-ND	2,000	32.19/M	APT1608SGC
		Super rouge	Water Clear*	660	1.85	30	100	120°	754-1122-1-ND	.11	.83	6.06	754-1122-2-ND	2,000	33.04/M	APT1608SRCPRV
		Hyper rouge	Water Clear*	650	1.95	30	150	120°	754-1123-1-ND	.14	.98	7.22	754-1123-2-ND	2,000	39.81/M	APT1608SURCK
		Super jaune	Water Clear*	590	2.0	30	120	120°	754-1124-1-ND	.14	.98	7.22	754-1124-2-ND	2,000	39.81/M	APT1608SYCK
		Jaune	Water Clear*	590	2.1	30	8	120°	754-1125-1-ND	.11	.80	5.83	754-1125-2-ND	2,000	32.19/M	APT1608YC
Vert	Water Clear*	515	3.3	25	300	120°	754-1126-1-ND	.61	4.54	33.31	754-1126-2-ND	2,000	182.11/M	APT1608ZGCF01		
17	2.0 x 1.25mm	Vert	Water Clear*	574	2.1	30	40	120°	754-1127-1-ND	.14	1.05	7.69	754-1127-2-ND	2,000	42.35/M	APT2012CGCK
		Rouge HE	Water Clear*	627	2.0	30	12	120°	754-1128-1-ND	.11	.80	5.83	754-1128-2-ND	2,000	32.19/M	APT2012EC
		Bleu	Water Clear*	468	3.2	30	60	120°	754-1129-1-ND	.44	3.30	24.22	754-1129-2-ND	2,000	132.13/M	APT2012PBC/A
		Super orange	Water Clear*	610	2.1	30	160	120°	754-1130-1-ND	.14	1.05	7.69	754-1130-2-ND	2,000	42.35/M	APT2012SECK
		Super vert	Water Clear*	565	2.2	25	15	120°	754-1131-1-ND	.11	.80	5.83	754-1131-2-ND	2,000	32.19/M	APT2012SGC
		Super rouge	Water Clear*	660	1.85	30	100	120°	754-1132-1-ND	.12	.86	6.29	754-1132-2-ND	2,000	34.73/M	APT2012SRCPRV
		Hyper rouge	Water Clear*	650	1.95	30	150	120°	754-1133-1-ND	.14	1.05	7.69	754-1133-2-ND	2,000	42.35/M	APT2012SURCK
		Super jaune	Water Clear*	590	2.0	30	120	120°	754-1134-1-ND	.14	1.05	7.69	754-1134-2-ND	2,000	42.35/M	APT2012SYCK
		Jaune	Water Clear*	590	2.1	30	8	120°	754-1135-1-ND	.11	.83	6.06	754-1135-2-ND	2,000	33.04/M	APT2012YC
		Vert	Water Clear*	515	3.3	25	300	120°	754-1136-1-ND	.61	4.54	33.31	754-1136-2-ND	2,000	182.11/M	APT2012ZGCF01
18	3.2 x 1.6mm	Vert	Water Clear*	574	2.1	30	40	120°	754-1137-1-ND	.17	1.27	9.32	754-1137-2-ND	2,000	50.82/M	APT3216CGCK
		Rouge HE	Water Clear*	627	2.0	30	12	120°	754-1138-1-ND	.14	1.05	7.69	754-1138-2-ND	2,000	42.35/M	APT3216EC
		Méga vert	Water Clear*	574	2.1	30	70	120°	754-1139-1-ND	.55	4.13	30.28	754-1139-2-ND	2,000	165.17/M	APT3216MGC
		Bleu	Water Clear*	468	3.2	30	60	120°	754-1140-1-ND	.44	3.30	24.22	754-1140-2-ND	2,000	132.13/M	APT3216PBC/A
		Super orange	Water Clear*	610	2.1	30	160	120°	754-1141-1-ND	.15	1.11	8.16	754-1141-2-ND	2,000	44.89/M	APT3216SECK
		Super vert	Water Clear*	565	2.2	25	15	120°	754-1142-1-ND	.14	1.05	7.69	754-1142-2-ND	2,000	42.35/M	APT3216SGC
		Super rouge	Water Clear*	660	1.85	30	80	120°	754-1143-1-ND	.14	1.05	7.69	754-1143-2-ND	2,000	42.35/M	APT3216SRCPRV
		Hyper rouge	Water Clear*	650	1.95	30	150	120°	754-1144-1-ND	.15	1.11	8.16	754-1144-2-ND	2,000	44.89/M	APT3216SURCK
		Super jaune	Water Clear*	590	2.0	30	120	120°	754-1145-1-ND	.15	1.11	8.16	754-1145-2-ND	2,000	44.89/M	APT3216SYCK
		Jaune	Water Clear*	590	2.1	30	8	120°	754-1146-1-ND	.14	1.05	7.69	754-1146-2-ND	2,000	42.35/M	APT3216YC
19	1.6 x 1.25mm	Rouge/Vert HE	Water Clear*	627/565	2/2.2	30/25	12/12	120°	754-1146-1-ND	.25	1.87	13.75	754-1146-2-ND	2,000	75.39/M	APTB1612ESGCF01
		Jaune/Vert	Water Clear*	590/574	2/2.1	30/30	100/50	120°	754-1147-1-ND	.28	2.07	15.14	754-1147-2-ND	2,000	83.01/M	APTB1612SYKCGKCF01
		Jaune/Vert	Water Clear*	590/565	2.1/2.2	30/25	8/12	120°	754-1148-1-ND	.25	1.87	13.75	754-1148-2-ND	2,000	75.39/M	APTB1612YSGCF01
20	1.6 x 1.5mm	Rouge/Vert HE	Water Clear*	627/565	2/2.2	30/25	12/12	120°	754-1149-1-ND	.25	1.87	13.75	754-1149-2-ND	2,000	75.39/M	APTB1615ESGCF01
		Jaune/Vert	Water Clear*	590/574	2/2.1	30/30	100/50	120°	754-1150-1-ND	.28	2.07	15.14	754-1150-2-ND	2,000	83.01/M	APTB1615SYKCGKCF01
		Jaune/Vert	Water Clear*	590/565	2.1/2.2	30/25	8/12	120°	754-1151-1-ND	.25	1.87	13.75	754-1151-2-ND	2,000	75.39/M	APTB1615YSGCF01
21	3.2 x 1.6mm	Vert	Water Clear*	574	2.1	30	200	50°	754-1152-1-ND	.25	1.87	13.75	754-1152-2-ND	2,000	75.39/M	APTD3216CGCK
		Rouge HE	Water Clear*	627	2.0	30	50	40°	754-1153-1-ND	.19	1.47	10.71	754-1153-2-ND	2,000	58.45/M	APTD3216EC
		Méga vert	Water Clear*	574	2.1	30	350	50°	754-1154-1-ND	.66	4.95	36.34	754-1154-2-ND	2,000	198.20/M	APTD3216MGC
		Bleu	Water Clear*	468	3.2	30	220	50°	754-1155-1-ND	.47	3.52	25.86	754-1155-2-ND	2,000	141.45/M	APTD3216PBC/A
		Super orange	Water Clear*	610	2.1	30	700	50°	754-1156-1-ND	.24	1.74	12.82	754-1156-2-ND	2,000	70.30/M	APTD3216SECK
		Super vert	Water Clear*	565	2.2	25	50	40°	754-1157-1-ND	.19	1.47	10.71	754-1157-2-ND	2,000	58.45/M	APTD3216SGC
		Super rouge	Water Clear*	660	1.85	30	300	50°	754-1158-1-ND	.19	1.47	10.71	754-1158-2-ND	2,000	58.45/M	APTD3216SRCPRV
		Hyper rouge	Water Clear*	650	1.95	30	500	50°	754-1159-1-ND	.24	1.74	12.82	754-1159-2-ND	2,000	70.30/M	APTD3216SURCK
		Super jaune	Water Clear*	590	2.1	30	250	50°	754-1160-1-ND	.24	1.74	12.82	754-1160-2-ND	2,000	70.30/M	APTD3216SYCK
		Jaune	Water Clear*	590	2.1	30	30	40°	754-1161-1-ND	.19	1.47	10.71	754-116			

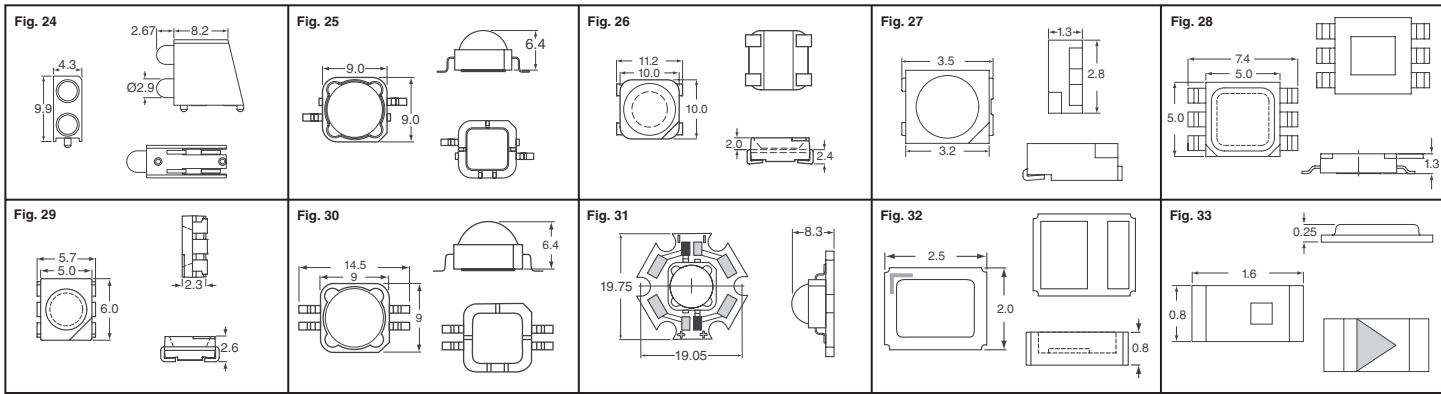


Fig.	Description	Couleur émise	Lentille	Longueur d'onde de crête (nm)	Vf typ (V)	If max. (mA)	Iv (mcd) à 20 mA	Angle de visualisation (2 x Théta)	N° de référence Digi-Key	Prix de bande coupée			N° de référence Digi-Key	Bande et bobine		N° de référence Kingbright
										1	10	100		Qté	Prix	
23	3.2 x 1.6mm	Vert	Water Clear*	574	2.1	30	40	120°	754-1167-1-ND	.18	1.34	9.78	754-1167-2-ND	2,000	53.36/M	APTR3216GGCK
		Rouge HE	Water Clear*	627	2.0	30	12	120°	754-1168-1-ND	.14	1.05	7.89	754-1168-2-ND	2,000	42.35/M	APTR3216EC
		Bleu	Water Clear*	468	3.2	30	60	120°	754-1169-1-ND	.47	3.52	25.86	754-1169-2-ND	2,000	141.45/M	APTR3216PBC/A
		Super orange	Water Clear*	610	2.1	30	160	120°	754-1170-1-ND	.15	1.11	8.16	754-1170-2-ND	2,000	44.89/M	APTR3216SECK
		Super vert	Water Clear*	565	2.2	25	15	120°	754-1171-1-ND	.14	.98	7.22	754-1171-2-ND	2,000	39.81/M	APTR3216SGC
		Super rouge	Water Clear*	660	1.85	30	80	120°	754-1172-1-ND	.15	1.11	8.16	754-1172-2-ND	2,000	44.89/M	APTR3216SRCPRV
		Hyper rouge	Water Clear*	650	1.95	30	150	120°	754-1173-1-ND	.15	1.11	8.16	754-1173-2-ND	2,000	44.89/M	APTR3216SURCK
		Jaune	Water Clear*	590	2.1	30	8	120°	754-1175-1-ND	.14	1.05	7.69	754-1175-2-ND	2,000	42.35/M	APTR3216VC
		Super jaune	Water Clear*	590	2.0	30	120	120°	754-1174-1-ND	.15	1.11	8.16	754-1174-2-ND	2,000	44.89/M	APTR3216SYCK
Indicateurs de circuit imprimé																
24	3mm	Vert	Diffusée	565	2.2	25	20±	40°	754-1236-1-ND	.66	4.95	36.34	754-1236-2-ND	250	66.07	WP7104ALUP/2GD-0L
		Rouge HE	Diffusée	627	2.0	30	20±	40°	754-1237-1-ND	.66	4.95	36.34	754-1237-2-ND	250	66.07	WP7104ALUP/2ID-0L
		Super rouge	Diffusée	660	1.85	30	300	40°	754-1238-1-ND	.66	4.95	36.34	754-1238-2-ND	250	66.07	WP7104ALUP/2SRD-0L
		Jaune	Diffusée	590	2.1	30	15±	40°	754-1239-1-ND	.66	4.95	36.34	754-1239-2-ND	250	66.07	WP7104ALUP/2YD-0L
DEL de grande puissance																
25	9.0 x 9.0mm	Bleu	Water Clear*	452	3.2	350	5.5†	100°	754-1314-1-ND	7.22	54.12	396.90	754-1314-2-ND	500	1298.96	AAD1-9090QB10ZC
		Bleu	Water Clear*	461	3.9	700	10Δ	100°	754-1317-1-ND	9.60	72.04	528.27	754-1317-2-ND	500	1728.73	AAD1-9090QB11ZC/3
		Rouge-orange	Water Clear*	640	2.5	350	12†	100°	754-1315-1-ND	4.27	32.02	234.79	754-1315-2-ND	500	768.23	AAD1-9090SE28ZC
		Rouge-orange	Water Clear*	628	3.0	500	17††	100°	754-1338-1-ND	6.40	48.02	352.18	754-1338-2-ND	500	1152.77	AAD1-9090SE9ZC/2
		Jaune	Water Clear*	590	2.5	350	11.5†	100°	754-1316-1-ND	4.27	32.02	234.79	754-1316-2-ND	500	768.23	AAD1-9090SY28ZC
26	10 x 10mm	Super jaune	Water Clear*	598	2.5	500	20††	100°	754-1342-1-ND	6.40	48.02	352.18	754-1342-2-ND	500	1152.77	AAD1-9090SY9ZC/2
		Vert	Water Clear*	520	3.3	350	24†	100°	754-1344-1-ND	8.54	64.03	469.58	754-1344-2-ND	500	1253.14	AAD1-9090ZG10ZC
		Bleu	Water Clear*	452	3.2	350	4.5†	120°	754-1319-1-ND	6.96	52.22	382.93	754-1319-2-ND	500	1253.14	AA10100B10ZC
27	3.5 x 2.8mm	Rouge-orange	Water Clear*	640	2.5	350	32†	120°	754-1320-1-ND	3.25	24.39	178.89	754-1320-2-ND	500	585.28	AA1010SE28ZC
		Super jaune	Water Clear*	590	2.5	350	9†	120°	754-1321-1-ND	3.25	24.39	178.89	754-1321-2-ND	500	585.28	AA1010SY28ZC
		Vert	Water Clear*	520	3.3	350	20†	120°	754-1322-1-ND	6.96	52.22	382.93	754-1322-2-ND	500	1253.14	AA1010ZG10ZC
		Bleu	Water Clear*	450	3.5	150	1000▲	120°	754-1323-1-ND	2.69	20.20	148.14	754-1323-2-ND	1,500	808.04/M	AA35290B24ZS
28	5.0 x 5.0mm	Rouge-orange	Water Clear*	626	3.6	150	6000▲	120°	754-1324-1-ND	1.07	8.00	58.70	754-1324-2-ND	1,500	320.17/M	AA3529SE5L
		Super jaune	Water Clear*	590	3.6	150	3000▲	120°	754-1325-1-ND	1.07	8.00	58.70	754-1325-2-ND	1,500	320.17/M	AA3529SY5L
		Vert	Water Clear*	515	3.4	150	7500▲	120°	754-1326-1-ND	3.76	28.21	206.84	754-1326-2-ND	1,500	1128.21/M	AA3529ZG24ZS
29	5.0 x 6.0mm	Bleu/ Rouge/ Vert	Transparente comme l'eau	450/ 633/ 515	3.1/ 2.3/ 3.2	120	1450/ 3100/ 4900◊	120°	754-1327-1-ND	7.47	56.03	410.88	754-1327-2-ND	500	1344.61	AAAF5051-02
		Bleu/ Orange/ Vert	Transparente comme l'eau	468/ 630/ 520	3.2/ 2.0/ 3.2	30	250/ 1000/ 600▼	100°	754-1328-1-ND	2.69	20.20	148.14	754-1328-2-ND	500	484.91	AAAF5060PBESEEVGEC
29	5.0 x 6.0mm	Bleu/ Vert/ Orange	Transparente comme l'eau	468/ 515/ 630	3.5/ 3.3/ 2.0	30	250/ 650/ 1000▼	100°	754-1329-1-ND	1.88	14.10	103.42	754-1329-2-ND	500	338.38	AAAF5060BDZGSEEC
		Bleu/ Rouge/ Vert	Transparente comme l'eau	468/ 640/ 520	3.2/ 1.9/ 3.2	30	250/ 500/ 600▼	100°	754-1332-1-ND	2.69	20.20	148.14	754-1332-2-ND	500	484.91	AAAF5060PBESURVGEC
30	9.0 x 9.0mm	Bleu/ Rouge/ Vert	Transparente comme l'eau	452/ 640/ 520	3.2/ 2.5/ 3.3	350	3.5/ 8/ 16†	135°	754-1330-1-ND	19.21	144.07	1056.55	754-1330-2-ND	500	3457.88	AAD1-9090BRGC-01/3
		Bleu/ Rouge/ Vert	Transparente comme l'eau	452/ 640/ 520	3.2/ 2.5/ 3.3	350	3.5/ 8/ 16†	135°	754-1331-5-ND*	16.01	309.49	1003.19	—	—	—	AAD1-9090BRGC-01/3-S
31	1 W avec carte étoile	Bleu	Water Clear*	452	3.2	350	5.5†	100°	754-1333-5-ND*	8.61	166.54	539.81	—	—	—	AAD1-9090QB10ZC-S
		Bleu	Water Clear*	461	3.9	700	10Δ	100°	754-1335-5-ND*	10.41	201.17	652.07	—	—	—	AAD1-9090QB11ZC/3-S
		Rouge-orange	Water Clear*	640	2.5	350	12†	100°	754-1337-5-ND*	6.40	123.80	401.27	—	—	—	AAD1-9090SE28ZC-S
		Rouge-orange	Water Clear*	628	3.0	500	17††	100°	754-1339-5-ND*	8.00	154.75	501.59	—	—	—	AAD1-9090SE9ZC/2-S
		Super jaune	Water Clear*	590	2.5	350	11.5†	100°	754-1341-5-ND*	6.40	123.80	401.27	—	—	—	AAD1-9090SY28ZC-S
32	2.5 x 2.0mm	Super rouge	Water Clear*	598	2.5	500	20††	100°	754-1343-5-ND*	8.00	154.75	501.59	—	—	—	AAD1-9090SY9ZC/2-S
		Vert	Water Clear*	520	3.3	350	24†	100°	754-1345-5-ND*	9.60	185.70	601.91	—	—	—	AAD1-9090ZG10ZC-S
		Bleu	Water Clear*	452	3.5	250	2500★	120°	754-1346-1-ND	6.66	49.93	366.16	754-1346-2-ND	2,000	1997.23/M	AT25200B10ZS
		Rouge-orange	Water Clear*	628	2.3	250	4500★	130°	754-1347-1-ND	7.78	58.32	427.65	754-1347-2-ND	2,000	2332.64/M	AT2520SE9ZS
		Super jaune	Water Clear*	598	2.3	250	4500★	130°	754-1348-1-ND	7.78	58.32	427.65	754-1348-2-ND	2,000	2332.64/M	AT2520SY9ZS
33	1.6 x 0.8mm	Bleu	Water Clear*	470	3.2	20	35	120°	754-1350-1-ND	.42	3.12	22.83	754-1350-2-ND	2,000	124.51/M	APG1608PBC/A
		Bleu	Water Clear*	470	3.3	20	70	120°	754-1351-1-ND	.30	2.29	16.77	754-1351-2-ND	2,000	91.48/M	APG1608QBC/D
		Bleu	Water Clear*	470	3.3	20	95	120°	754-1352-1-ND	.61	4.54	33.31	754-1352-2-ND	2,000	181.68/M	APG1608QBC/E
		Super orange	Water Clear*	605	2.05	20	200	120°	754-1353-1-ND	.15	1.14	8.39	754-1353-2-ND	2,000	45.74/M	APG1608SEKCT
		Super jaune	Water Clear*	589	2.05	20	100	120°	754-1354-1-ND	.15	1.14	8.39	754-1354-2-ND	2,000	45.74/M	APG1608SYKCT
		Vert	Water Clear*	525	3.2	20	200	120°	754-1355-1-ND	1.05	7.84	57.54	754-1355-2-ND	2,000	313.82/M	APG1608VGC/A
		Vert	Water Clear*	525	3.3	20	420	120°	754-1356-1-ND	.55	4.13	30.28	754-1356-2-ND	2,000	165.17/M	APG1608ZGC
		Vert	Water Clear*	571	2.1	20	60	120°	754-1357-1-ND	.17	1.24	9.09	754-1357-2-ND	2,000	49.55/M	APG1608GKCT
		Bleu	Water Clear*	470	3.2	20	35	120°	754-1358-1-ND	.61	4.54	33.31	754-1358-2-ND	2,000	181.68/M	APG1608PBAZC-RV
		Hyper rouge	Water Clear*	631	2.0	20	320	120°	754-1359-1-ND	.15	1.14	8.39	754-1359-2-ND	2,000	45.74/M	APG1608SURKCT
		Vert	Water Clear*	525	3.2	20	200	120°	754-1360-1-ND	1.21	9.09	66.62	754-1360-2-ND	2,000	363.37/M	APG1608VAZC-RV

§ Coordonnées trichromatiques ‡ Iv (mcd) à 10 mA ▼ Iv (mcd) à 30 mA ◊ Iv (mcd) à 120 mA ▲ Iv (mcd) à 150 mA ★ Iv (mcd) à 250 mA † Iv (cd) à 350 mA †† Iv (cd) à 500 mA
 Δ Iv (cd) à 700 mA * En vrac *Transparente comme l'eau

