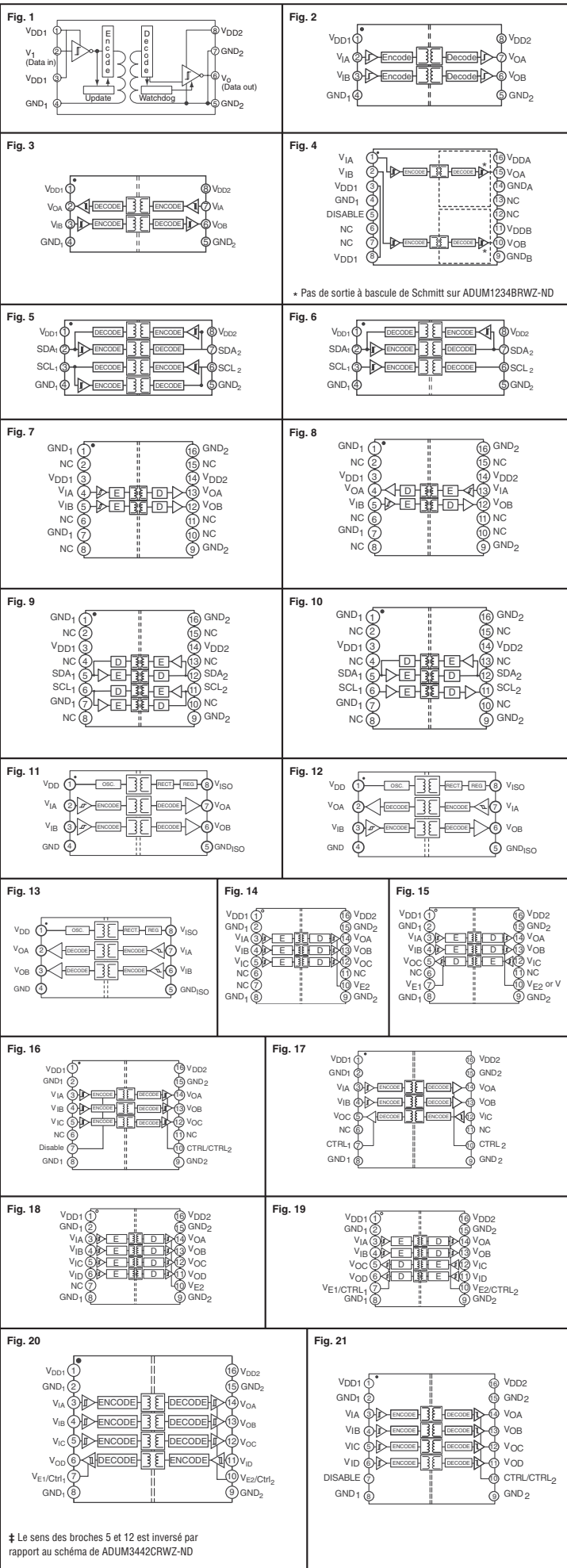


La technologie d'isolement iCoupler associe les propriétés d'isolement c.c. des microtransformateurs aux techniques de traitement des semi-conducteurs pour fournir des avantages de performance, puissance et intégration supérieures à ceux offerts par la technologie des optocoupleurs traditionnels. Les composants iCoupler fonctionnent à des débits supérieurs, fournissent une précision de synchronisation et une immunité aux transitoires de mode commun supérieures, à des niveaux de puissance inférieurs à ceux des optocoupleurs. Ils fonctionnent sur des plages de température et de tension d'alimentation plus larges que celles des composants optiques de la concurrence. Cette technologie iCoupler vient au secours des conceptions modernes, leur épargnant les caractéristiques de transfert de courant mal contrôlé, sensible à la température et dépendant du temps des optocoupleurs standard.

| Fig. | Tension d'alimentation | Type de boîtier | Débit de données max. (Mbps) | N° de référence Digi-Key | Prix unitaire | | | Prix bande et bobine† | | | |
|--|------------------------|-----------------|------------------------------|--------------------------|---------------|-----------------------|-----------------------|-----------------------|------|---------|---------|
| | | | | | 1 | 25 | 100 | 1 000 | | | |
| Canal simple | | | | | | | | | | | |
| 1 | 3.0/5.5 | 8-SOIC | 25 | ADUM1100ARZ-RL7CT-NDΔ | 3.81 | 3.05 | 2.38 | — | | | |
| | | | 25 | ADUM1100ARZ-RL7CT-ND◆Δ | 3.52 | 2.83 | 2.20 | 1997.86 | | | |
| | | | 100 | ADUM1100BRZ-RL7CT-ND◆Δ | 4.02 | 3.22 | 2.51 | 2278.64 | | | |
| | | | 100 | ADUM1100URZ-ND◆ | 5.35 | 4.29 | 3.62 | — | | | |
| | | | 25 | ADUM3100ARZ-ND◆ | 3.70 | 2.96 | 2.31 | — | | | |
| 100 | ADUM3100BRZ-ND◆ | 4.21 | 3.37 | 2.63 | — | | | | | | |
| Canal double — Conforme à RoHS | | | | | | | | | | | |
| 2 | 2.7/5.5 | 8-SOIC | 1 | ADUM1200ARZ-RL7CT-NDΔ | 2.63 | 2.11 | 1.64 | 1490.30 | | | |
| | | | 10 | ADUM1200BRZ-ND | 3.85 | 3.08 | 2.40 | — | | | |
| | | | 10 | ADUM1200BRZ-RL7CT-NDΔ | 3.85 | 3.08 | 2.40 | 2181.45 | | | |
| | | | 25 | ADUM1200CRZ-RL7CT-NDΔ | 4.74 | 3.80 | 3.21 | 2964.50 | | | |
| | | | 1 | ADUM1200WRZ-ND | 4.63 | 3.71 | 2.89 | — | | | |
| | | | 10 | ADUM1210BRZ-RL7CT-NDΔ | 3.85 | 3.08 | 2.40 | 2181.45 | | | |
| | | | 1 | ADUM3200ARZ-ND | 2.76 | 2.22 | 1.72 | — | | | |
| | | | 10 | ADUM3200BRZ-ND | 4.04 | 3.24 | 2.52 | — | | | |
| | | | 3 | 2.7/5.5 | 8-SOIC | 1 | ADUM1201ARZ-RL7CT-NDΔ | 2.65 | 2.12 | 1.65 | 1501.10 |
| | | | | | | 10 | ADUM1201BRZ-RL7CT-NDΔ | 3.85 | 3.08 | 2.40 | 2181.45 |
| 25 | ADUM1201CRZ-RL7CT-NDΔ | 4.74 | | | | 3.80 | 3.21 | 2964.50 | | | |
| 10 | ADUM1201WTRZ-ND | 6.01 | | | | 4.82 | 4.06 | — | | | |
| 25 | ADUM1201WRZ-ND | 8.32 | | | | 6.66 | 5.62 | — | | | |
| 1 | ADUM3201ARZ-ND | 2.76 | | | | 2.22 | 1.72 | — | | | |
| 10 | ADUM3201BRZ-ND | 4.04 | | | | 3.24 | 2.52 | — | | | |
| 10 | ADUM3201CRZ-ND | 4.96 | | | | 3.98 | 3.36 | — | | | |
| 4 | 4.5/5.5 | 16-SOIC | | | | 10 | ADUM1233BRWZ-ND | 3.41 | 2.73 | 2.13 | — |
| | | | | | | 10 | ADUM1234BRWZ-ND | 3.41 | 2.73 | 2.13 | — |
| 5 | 3.0/5.5 | 8-SOIC | 1 | ADUM1250ARZ-ND | 4.62 | 3.70 | 3.13 | — | | | |
| 6 | 3.0/5.5 | 8-SOIC | 1 | ADUM1251ARZ-ND | 4.18 | 3.35 | 2.83 | — | | | |
| 7 | 3.0/5.5 | 16-SOIC | 1 | ADUM2200ARWZ-ND | 3.60 | 2.89 | 2.25 | — | | | |
| 10 | ADUM2200BRWZ-ND | 4.57 | 3.66 | 3.09 | — | | | | | | |
| 8 | 3.0/5.5 | 16-SOIC | 1 | ADUM2201ARWZ-ND | 3.58 | 2.87 | 2.23 | — | | | |
| 10 | ADUM2201BRWZ-ND | 4.59 | 3.68 | 3.10 | — | | | | | | |
| 9 | 3.0/5.5 | 16-SOIC | 1 | ADUM2250ARWZ-ND | 5.74 | 4.60 | 3.88 | — | | | |
| 10 | ADUM2251ARWZ-ND | 5.30 | 4.25 | 3.58 | — | | | | | | |
| 11 | 4.5/5.5 | 8-SOIC | 1 | ADUM5240ARZ-ND | 5.73 | 4.59 | 3.87 | — | | | |
| 1 | ADUM5240ARZ-RL7CT-NDΔ | 5.73 | 4.59 | 3.87 | 3578.58 | | | | | | |
| 12 | 4.5/5.5 | 8-SOIC | 1 | ADUM5241ARZ-ND | 5.73 | 4.59 | 3.87 | — | | | |
| 1 | ADUM5241ARZ-RL7CT-NDΔ | 5.73 | 4.59 | 3.87 | 3578.58 | | | | | | |
| 13 | 4.5/5.5 | 8-SOIC | 1 | ADUM5242ARZ-ND | 5.73 | 4.59 | 3.87 | — | | | |
| 1 | ADUM5242ARZ-RL7CT-NDΔ | 5.73 | 4.59 | 3.87 | 3578.58 | | | | | | |
| Canal triple | | | | | | | | | | | |
| 14 | 2.7/5.5 | 16-SOIC | 1 | ADUM1300ARWZ-ND | 3.85 | 3.08 | 2.39 | — | | | |
| | | | 1 | ADUM1300ARWZ-RLCT-ND◆Δ | 3.52 | 2.83 | 2.20 | 1997.86 | | | |
| | | | 10 | ADUM1300BRWZ-ND◆ | 4.69 | 3.76 | 3.17 | — | | | |
| | | | 90 | ADUM1300CRWZ-ND◆ | 7.06 | 5.66 | 4.77 | — | | | |
| | | | 1 | ADUM1300WRWZ-ND◆ | 4.69 | 3.76 | 3.17 | — | | | |
| | | | 90 | ADUM3300ARWZ-ND◆ | 3.70 | 2.96 | 2.31 | — | | | |
| | | | 90 | ADUM3300BRWZ-ND◆ | 4.93 | 3.95 | 3.33 | — | | | |
| | | | 90 | ADUM3300CRWZ-ND◆ | 7.42 | 5.94 | 5.01 | — | | | |
| | | | 15 | 2.7/5.5 | 16-SOIC | 1 | ADUM1301ARWZ-ND | 3.85 | 3.08 | 2.40 | — |
| | | | | | | 10 | ADUM1301BRWZ-ND◆ | 4.69 | 3.76 | 3.17 | — |
| 90 | ADUM1301CRWZ-ND◆ | 7.06 | | | | 5.66 | 4.77 | — | | | |
| 1 | ADUM1301ARWZ-RLCT-ND◆Δ | 3.52 | | | | 2.83 | 2.20 | 1997.86 | | | |
| 1 | ADUM1301WRWZ-ND◆ | 4.69 | | | | 3.76 | 3.17 | — | | | |
| 90 | ADUM3301ARWZ-ND◆ | 3.70 | | | | 2.96 | 2.31 | — | | | |
| 16 | 3.0/5.0 | 16-SOIC | | | | 1 | ADUM1310ARWZ-ND◆ | 3.52 | 2.83 | 2.20 | — |
| | | | | | | 10 | ADUM1310BRWZ-ND◆ | 4.69 | 3.76 | 3.17 | — |
| 17 | 3.0/5.0 | 16-SOIC | | | | 50 | ADUM1311BRWZ-ND◆ | 4.69 | 3.76 | 3.17 | — |
| | | | | | | 100 | ADUM1311ARWZ-ND◆ | 3.52 | 2.83 | 2.20 | — |
| Canal quadruple — Conforme à RoHS | | | | | | | | | | | |
| 18 | 2.7/5.5 | 16-SOIC | 1 | ADUM1400ARWZ-RLCT-NDΔ | 4.69 | 3.76 | 2.92 | 2656.62 | | | |
| | | | 10 | ADUM1400BRWZ-RLCT-NDΔ | 6.23 | 4.99 | 4.21 | 3896.20 | | | |
| | | | 90 | ADUM1400CRWZ-RLCT-NDΔ | 8.37 | 6.70 | 5.65 | 5230.23 | | | |
| | | | 1 | ADUM1400WRWZ-ND | 6.23 | 4.99 | 4.21 | — | | | |
| | | | 10 | ADUM2400ARWZ-ND | 6.12 | 4.90 | 4.13 | — | | | |
| | | | 10 | ADUM2400BRWZ-ND | 7.44 | 6.70 | 5.94 | — | | | |
| | | | 90 | ADUM2400CRWZ-ND | 9.60 | 8.64 | 7.67 | — | | | |
| | | | 90 | ADUM3400ARWZ-ND | 4.37 | 3.50 | 2.96 | — | | | |
| | | | 90 | ADUM3400BRWZ-ND | 6.54 | 5.24 | 4.42 | — | | | |
| | | | 90 | ADUM3400CRWZ-ND | 7.33 | 6.60 | 5.85 | — | | | |
| 19 | 3.0/5.5 | 16-SOIC | 90 | ADUM3440CRWZ-ND | 8.73 | 7.87 | 6.98 | — | | | |
| | | | 2.7/5.5 | 16-SOIC | 1 | ADUM1402ARWZ-RLCT-NDΔ | 4.69 | 3.76 | 2.92 | 2656.62 | |
| | | | | | 10 | ADUM1402BRWZ-RLCT-NDΔ | 6.23 | 4.99 | 4.21 | 3896.20 | |
| | | | | | 90 | ADUM1402CRWZ-RLCT-NDΔ | 8.37 | 6.70 | 5.65 | 5230.23 | |
| | | | | | 1 | ADUM1402WRWZ-ND | 6.23 | 4.99 | 4.21 | — | |
| | | | | | 10 | ADUM1402WTRWZ-ND | 7.78 | 7.01 | 6.21 | — | |
| | | | | | 10 | ADUM2402ARWZ-ND | 6.12 | 4.90 | 4.13 | — | |
| | | | | | 10 | ADUM2402BRWZ-ND | 7.44 | 6.70 | 5.94 | — | |
| | | | | | 90 | ADUM2402CRWZ-ND | 9.60 | 8.64 | 7.67 | — | |
| | | | | | 90 | ADUM3402ARWZ-ND | 4.37 | 3.50 | 2.96 | — | |
| 90 | ADUM3402BRWZ-ND | 6.54 | | | 5.24 | 4.42 | — | | | | |
| 90 | ADUM3402CRWZ-ND | 7.33 | 6.60 | 5.85 | — | | | | | | |
| 20 | 2.7/5.5 | 16-SOIC | 1 | ADUM1401ARWZ-RLCT-NDΔ | 4.69 | 3.76 | 2.92 | 2656.62 | | | |
| | | | 10 | ADUM1401BRWZ-RLCT-NDΔ | 6.23 | 4.99 | 4.21 | 3896.20 | | | |
| | | | 90 | ADUM1401CRWZ-RLCT-NDΔ | 8.37 | 6.70 | 5.65 | 5230.23 | | | |
| | | | 1 | ADUM1401WRWZ-ND | 6.23 | 4.99 | 4.21 | — | | | |
| | | | 10 | ADUM1401WTRWZ-ND | 7.78 | 7.01 | 6.21 | — | | | |
| | | | 1 | ADUM2401ARWZ-ND | 6.12 | 4.90 | 4.13 | — | | | |
| | | | 10 | ADUM2401BRWZ-ND | 7.44 | 6.70 | 5.94 | — | | | |
| | | | 90 | ADUM2401CRWZ-ND | 9.60 | 8.64 | 7.67 | — | | | |
| | | | 90 | ADUM3401ARWZ-ND | 4.37 | 3.50 | 2.96 | — | | | |
| | | | 90 | ADUM3401BRWZ-ND | 6.54 | 5.24 | 4.42 | — | | | |
| 90 | ADUM3401CRWZ-ND | 7.33 | 6.60 | 5.85 | — | | | | | | |



‡ Le sens des broches 5 et 12 est inversé par rapport au schéma de ADUM3442CRWZ-ND

◆ Conforme à RoHS Δ Bande coupée † Pour obtenir le numéro de référence de bande et bobine, remplacer CT-ND par TR-ND.

(suite)

Digi-Reel® La plupart des composants à découper à technologie CMS sont disponibles sur une Digi-Reel®. Pour connaître la référence bobine Digi-Reel, modifier 1-ND en 6-ND ou CT-ND en DKR-ND. Voir les services Digi-Key® en page 2 pour plus d'informations.

Livraison gratuite pour les commandes de plus de 65 € ! Tous les prix sont indiqués en euros.

| Fig. | Tension d'alimentation | Type de boîtier | Débit de données max. (Mbps) | N° de référence Digi-Key | Prix unitaire | | | Prix bande et bobine† |
|------|------------------------|-----------------|------------------------------|--------------------------|---------------|------|------|-----------------------|
| | | | | | 1 | 25 | 100 | 1 000 |
| 20 | 2.7/5.5 | 16-SOIC | 1 | ADUM1411ARWZ-ND | 4.69 | 3.76 | 2.92 | — |
| | | | 10 | ADUM1411BRWZ-ND | 6.23 | 4.99 | 4.21 | — |
| | 3.0/5.5 | 16-SOIC | 90 | ADUM3441CRWZ-ND | 8.73 | 7.87 | 6.98 | — |
| 21 | 3.0/5.0 | 16-SOIC | 1 | ADUM1410ARWZ-ND | 4.69 | 3.76 | 2.92 | — |
| | | | 10 | ADUM1410BRWZ-ND | 6.23 | 4.99 | 4.21 | — |
| 22 | 4.5V/5.5 | 28-SOIC | 5 | ADUM1420BRWZ-ND | 4.46 | 3.57 | 3.01 | — |

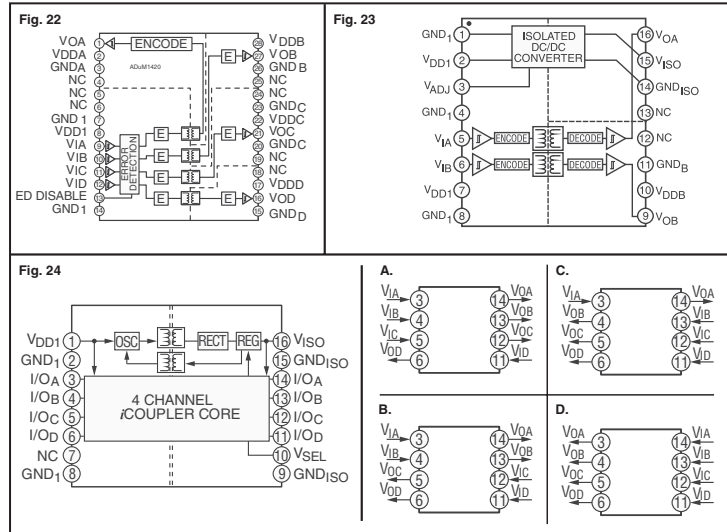
Circuit d'attaque demi-pont, double canal - vitesse de commutation 1 MHz - Conforme à RoHS

| Fig. | Tension d'alimentation | Type de boîtier | Débit de données max. (Mbps) | N° de référence Digi-Key | Prix unitaire | | | Prix bande et bobine† |
|------|------------------------|-----------------|------------------------------|--------------------------|---------------|------|------|-----------------------|
| 23 | 4.5V/5.5 | 16-SOIC | — | ADUM5230ARWZ-ND | 4.34 | 3.47 | 2.93 | — |

Quadruple canal avec convertisseur c.c.-c.c. intégré - Conforme à RoHS

| Fig. | Tension d'alimentation | Type de boîtier | Débit de données max. (Mbps) | N° de référence Digi-Key | Prix unitaire | | | Prix bande et bobine† |
|------|------------------------|-----------------|------------------------------|--------------------------|---------------|------|------|-----------------------|
| 24A | 3.3/5.0 | 16-SOIC | 1 | ADUM5401ARWZ-ND | 8.07 | 7.27 | 6.45 | — |
| | | | 25 | ADUM5401CRWZ-ND | 9.83 | 8.86 | 7.86 | — |
| 24B | 3.3/5.0 | 16-SOIC | 1 | ADUM5402ARWZ-ND | 8.07 | 7.27 | 6.45 | — |
| | | | 25 | ADUM5402CRWZ-ND | 9.83 | 8.86 | 7.86 | — |
| 24C | 3.3/5.0 | 16-SOIC | 1 | ADUM5403ARWZ-ND | 8.07 | 7.27 | 6.45 | — |
| | | | 25 | ADUM5403CRWZ-ND | 9.83 | 8.86 | 7.86 | — |
| 24D | 3.3/5.0 | 16-SOIC | 1 | ADUM5404ARWZ-ND | 8.07 | 7.27 | 6.45 | — |
| | | | 25 | ADUM5404CRWZ-ND | 9.83 | 8.86 | 7.86 | — |

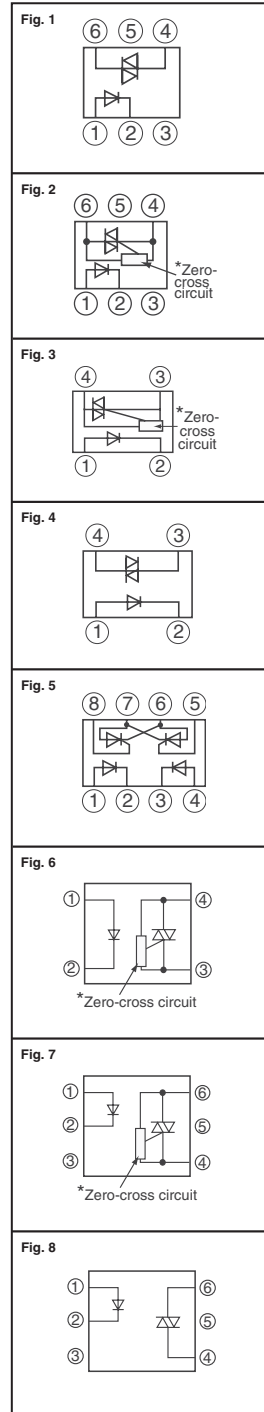
◆ Conforme à RoHS ▲ Bande coupée † Pour obtenir le numéro de référence de bande et bobine, remplacer CT-ND par TR-ND.



| Fig. | Type de tension | Entrée | | Sortie | | | Tension d'isolement max. (V eff) | Type de boîtier | N° de référence Digi-Key | Prix unitaire | | | N° de référence Sharp |
|---------------------|-----------------|--------|------|-------------------------------|-----------------------------|-------------------------------|----------------------------------|-----------------|--------------------------|---------------|--------------|------|-----------------------|
| | | Min. | Max. | Tension V _{DRM} max. | Courant IT (eff.) max. (mA) | Courant de maintien max. (mA) | | | | 1 | 10 | 100 | |
| Tube | | | | | | | | | | | | | |
| 1 | 1.2 | 7 | 50 | 600 | 100 | 3.5 | 5,000 | 6-SMD | 425-1365-5-ND | .81 | .68 | .55 | PC3SD11NXZB |
| | | 10 | 50 | 600 | 100 | 3.5 | 5,000 | 6-SMD | 425-1367-5-ND | .76 | .64 | .51 | PC3SD12NXZA |
| | | 10 | 50 | 600 | 100 | 3.5 | 5,000 | 6-Dip | 425-1772-5-ND† | 1.19 | .95 | .79 | S21MD3YY |
| 2 | 1.2 | 3 | 50 | 600 | 100 | 3.5 | 5,000 | 6-Dip | 425-1373-5-ND† | .94 | .79 | .63 | PC3SD21YTZD |
| | | 3 | 50 | 600 | 100 | 3.5 | 5,000 | 6-SMD | 425-1375-5-ND† | .97 | .81 | .65 | PC3SD21YXZD |
| | | 5 | 50 | 600 | 100 | 3.5 | 5,000 | 6-SMD | 425-1371-5-ND† | .84 | .70 | .56 | PC3SD21NXZC |
| | | 5 | 50 | 600 | 100 | 3.5 | 5,000 | 6-SMD | 425-1374-5-ND† | .86 | .72 | .58 | PC3SD21YXZC |
| | | 7 | 50 | 600 | 100 | 3.5 | 5,000 | 6-DipW | 425-2587-5-ND† | 1.14 | .96 | .77 | PC3SF21YVZBF |
| | | 7 | 50 | 600 | 50 | 3.5 | 3,750 | 4-SMD | 425-1301-5-ND† | .79 | .66 | .53 | S2S3RY |
| | | 10 | 50 | 600 | 100 | 3.5 | 5,000 | 4-DipW | 425-1283-5-ND† | 1.25 | 1.04 | .84 | S21ME6F |
| | | 10 | 50 | 600 | 100 | 3.5 | 5,000 | 4-SMD | 425-1285-5-ND† | 1.21 | .97 | .80 | S21ME6IY |
| | | 10 | 50 | 600 | 100 | 3.5 | 5,000 | 6-DipW | 425-2586-5-ND† | 1.07 | .89 | .72 | PC3SF21YVZAF |
| | | 10 | 50 | 600 | 50 | 3.5 | 3,750 | 4-SMD | 425-1303-5-ND† | .89 | .75 | .60 | S2S4 |
| | | 3 | 50 | 800 | 100 | 3.5 | 5,000 | 6-Dip | 425-1405-5-ND† | 1.19 | 1.00 | .80 | PC4SD21NTZD |
| | | 3 | 15 | 800 | 100 | 3.5 | 5,000 | 6-DipW | 425-1288-5-ND† | 2.02 | 1.61 | 1.33 | S21ME8FY |
| | | 3 | 15 | 800 | 100 | 3.5 | 5,000 | 6-Dip | 425-1289-5-ND† | 2.10 | 1.68 | 1.39 | S21ME8Y |
| | | 5 | 50 | 800 | 100 | 3.5 | 5,000 | 6-Dip | 425-1403-5-ND | 1.07 | .89 | .72 | PC4SD11NTZC |
| | | 7 | 50 | 800 | 100 | 3.5 | 5,000 | 6-Dip | 425-1402-5-ND | .99 | .83 | .67 | PC4SD11NTZC |
| 7 | 50 | 800 | 100 | 3.5 | 5,000 | 6-DipW | 425-2593-5-ND† | 1.10 | .89 | .73 | PC4SF21YVZBF | | |
| 3 | 1.2 | 10 | 50 | 600 | 50 | 3.5 | 3,750 | 4-SMD | 425-1377-5-ND† | 1.30 | 1.04 | .86 | PC3SG21YIZ |
| 4 | 1.2 | 10 | 50 | 400 | 100 | 3.5 | 5,000 | 4-Dip | 425-1230-5-ND | 1.22 | 1.02 | .82 | S11ME5 |
| 5 | 1.2 | 10 | 50 | 400 | 200 | 1.0 | 4,000 | 6-DipW | 425-1239-5-ND† | 1.44 | 1.16 | .96 | S12ME1FY |
| | | 15 | 50 | 400 | 200 | 1.0 | 5,000 | 8-Dip | 425-1238-5-ND | 2.04 | 1.68 | 1.36 | S12MD3 |
| | | 10 | 50 | 600 | 200 | 1.0 | 2,500 | 8-Dip | 425-1296-5-ND | 2.06 | 1.70 | 1.38 | S22MD3 |
| 6 | 1.2 | 7 | 50 | 600 | 100 | 3.5 | 5,000 | 4-DipW | 425-2686-5-ND† | .69 | .58 | .46 | PC3SH11YFZAF |
| | | 7 | 50 | 600 | 100 | 3.5 | 5,000 | 4-DipW | 425-2687-5-ND† | .81 | .68 | .55 | PC3SH21YFZBF |
| 7 | 1.2 | 7 | 50 | 800 | 100 | 3.5 | 5,000 | 6-Dip | 425-2618-5-ND† | 1.32 | 1.11 | .89 | PC4SF21YTZBF |
| | | 3 | 50 | 600 | 100 | 3.5 | 5,000 | 6-Dip | 425-2134-5-ND† | .94 | .79 | .63 | PC3SD21YTZDF |
| 8 | 1.2 | 7 | 50 | 600 | 100 | 3.5 | 5,000 | 6-SMD | 425-2125-5-ND† | .81 | .68 | .55 | PC3SD11NXZBF |
| | | 7 | 50 | 800 | 100 | 3.5 | 5,000 | 6-Dip | 425-2659-5-ND† | 1.19 | 1.00 | .80 | PC4SF11YTZBF |
| | | 7 | 50 | 600 | 100 | 3.5 | 5,000 | 6-Dip | 425-2683-5-ND† | 1.04 | .87 | .70 | PC3SF11YTZBF |
| | | 7 | 50 | 600 | 100 | 3.5 | 5,000 | 6-DipW | 425-2684-5-ND† | .99 | .83 | .67 | PC3SF11YVZAF |
| 7 | 50 | 600 | 100 | 3.5 | 5,000 | 6-DipW | 425-2685-5-ND† | 1.07 | .89 | .72 | PC3SF11YVZBF | | |
| Bande coupée | | | | | | | | | | | | | |
| 2 | 1.2 | 7 | 50 | 600 | 100 | 3.5 | 5,000 | 6-SMD | 425-1273-1-ND | 1.57 | 1.26 | .95 | S21ME3P |
| | | 10 | 50 | 600 | 50 | 3.5 | 3,750 | 4-SMD | 425-2417-1-ND† | .71 | .60 | .48 | S2S3B00F |
| | | 10 | 50 | 600 | 50 | 3.5 | 3,750 | 4-SMD | 425-2422-1-ND† | .89 | .75 | .60 | S2S4B00F |
| 4 | 1.2 | 10 | 50 | 600 | 100 | 3.5 | 5,000 | 4-SMD | 425-1305-1-ND† | .89 | .75 | .60 | S2S4BY |
| | | 10 | 50 | 600 | 50 | 3.5 | 3,750 | 4-SMD | 425-1381-1-ND† | 1.22 | 1.02 | .82 | S21ME5PY |
| 6 | 1.2 | 10 | 50 | 600 | 50 | 3.5 | 3,750 | 4-SMD | 425-2563-1-ND† | .74 | .62 | .50 | S2S3LA0F |
| | | 10 | 50 | 600 | 50 | 3.5 | 3,750 | 4-SMD | 425-2564-1-ND† | .66 | .56 | .45 | S2S4A00F |
| 7 | 1.2 | 3 | 50 | 600 | 100 | 3.5 | 5,000 | 6-Dip | 425-2705-1-ND† | .76 | .64 | .51 | PC3SD21YXPLF |
| | | 3 | 50 | 600 | 100 | 3.5 | 5,000 | 6-Dip | 425-2704-1-ND† | 1.02 | .85 | .68 | PC3SD21YXPDF |
| | | 5 | 50 | 800 | 100 | 3.5 | 5,000 | 6-SMD | 425-2537-1-ND† | 1.19 | 1.00 | .80 | PC4SD21YXPCF |
| | | — | 50 | 800 | 100 | 3.5 | 5,000 | 6-SMD | 425-2658-1-ND† | 1.25 | 1.04 | .84 | PC4SD21YXPDF |
| 8 | 1.2 | 3 | 50 | 600 | 100 | 3.5 | 5,000 | 6-SMD | 425-2671-1-ND† | 1.17 | .94 | .70 | PC3SD21YXPEF |
| | | 10 | 50 | 400 | 100 | 3.5 | 5,000 | 6-SMD | 425-2573-1-ND† | .61 | .51 | .41 | PC2SD11NXPAF |

| Fig. | Type de tension | Entrée | | Sortie | | | Tension d'isolement max. (V eff) | Type de boîtier | N° de référence Digi-Key | Bande et bobine | | N° de référence Sharp |
|------------------------|-----------------|--------|------|-------------------------------|-----------------------------|-------------------------------|----------------------------------|-----------------|--------------------------|-----------------|---------|-----------------------|
| | | Min. | Max. | Tension V _{DRM} max. | Courant IT (eff.) max. (mA) | Courant de maintien max. (mA) | | | | Qté | Prix | |
| Bande et bobine | | | | | | | | | | | | |
| 2 | 1.2 | 7 | 50 | 600 | 100 | 3.5 | 5,000 | 6-SMD | 425-1273-2-ND | 1,000 | 799.14 | S21ME3P |
| | | 10 | 50 | 600 | 50 | 3.5 | 3,750 | 4-SMD | 425-2417-2-ND† | 3,000 | 290.52M | S2S3B00F |
| | | 10 | 50 | 600 | 50 | 3.5 | 3,750 | 4-SMD | 425-2422-2-ND† | 750 | 289.03 | S2S4B00F |
| 4 | 1.2 | 10 | 50 | 600 | 100 | 3.5 | 5,000 | 4-SMD | 425-1381-2-ND† | 2,000 | 528.53M | S21ME5PY |
| | | 10 | 50 | 600 | 50 | 3.5 | 3,750 | 4-SMD | 425-2563-2-ND† | 3,000 | 343.89M | S2S3LA0F |
| 6 | 1.2 | 10 | 50 | 600 | 50 | 3.5 | 3,750 | 4-SMD | 425-2564-2-ND† | 3,000 | 308.31M | S2S4A00F |
| | | 3 | 50 | 600 | 100 | 3.5 | 5,000 | 6-Dip | 425-2705-2-ND† | 1,000 | 330.33 | PC3SD21YXPLF |
| 7 | 1.2 | 3 | 50 | 600 | 100 | 3.5 | 5,000 | 6-Dip | 425-2704-2-ND† | 1,000 | 440.44 | PC3SD21YXPDF |
| | | 5 | 50 | 800 | 100 | 3.5 | 5,000 | 6-SMD | 425-2537-2-ND† | 1,000 | 517.52 | PC4SD21YXPCF |
| | | — | 10µA | 800 | 100 | 3.5 | 5,000 | 6-SMD | 425-2658-2-ND† | 1,000 | 581.04 | PC4SD21YXPDF |
| | | 3 | 50 | 600 | 100 | 3.5 | 5,000 | 6-SMD | 425-2671-2-ND† | 1,000 | 605.61 | PC3SD21YXPEF |
| 8 | 1.2 | 10 | 50 | 400 | 100 | 3.5 | 5,000 | 6-SMD | 425-2573-2-ND† | 1,000 | 284.59 | PC2SD11NXPAF |

◆ Conforme à RoHS § Circuit de passage à zéro intégré † Din/VE 0884



Digi-Reel® La plupart des composants à découper à technologie CMS sont disponibles sur une Digi-Reel®. Pour connaître la référence bobine Digi-Reel, modifier 1-ND en 6-ND ou CT-ND en DKR-ND. Voir les services Digi-Key® en page 2 pour plus d'informations.

Livraison gratuite pour les commandes de plus de 65 € ! Tous les prix sont indiqués en euros.

fr.digikey.com — Téléphone (numéro vert) : 0800-161-113 — Téléphone : +31 (0)53-484-9584 — Télécopieur : +33 (0)38-717-0111

(FR091) 2387

