

| Fig.                                                                             | Forme de contact                     | Bobine                               |          | Résistivité nominale des contacts (A) |            | Excit./chute max. ES/sortie/cont. tension d'exploitation (% de tension nominale) | Durée fonc./ouverture (ms) | Dimensions (mm) H x L x W | N° de référence Digi-Key |          |                 | Prix unitaire |                      |                 | N° de référence Omron |                  |      |              |                  |
|----------------------------------------------------------------------------------|--------------------------------------|--------------------------------------|----------|---------------------------------------|------------|----------------------------------------------------------------------------------|----------------------------|---------------------------|--------------------------|----------|-----------------|---------------|----------------------|-----------------|-----------------------|------------------|------|--------------|------------------|
|                                                                                  |                                      | Tens. (V c.c.)                       | Rés. (Ω) | 24 V c.c.                             | 115 V c.c. |                                                                                  |                            |                           | 1                        | 25       | 50              |               |                      |                 |                       |                  |      |              |                  |
| <b>Relais pour signal faible — Type à verrouillage à bobine double et simple</b> |                                      |                                      |          |                                       |            |                                                                                  |                            |                           |                          |          |                 |               |                      |                 |                       |                  |      |              |                  |
| 13                                                                               | Commutateur bipolaire bidirectionnel | 5                                    | 139      | 1                                     | 0.3        | 70/70/200                                                                        | 5/5                        | 8.4x20.2x10.1             | Z749-ND‡                 | 5.80     | 5.23            | 4.65          | G6AK-234P-ST-US-DC5  |                 |                       |                  |      |              |                  |
|                                                                                  |                                      | 12                                   | 800      |                                       |            |                                                                                  |                            |                           | Z750-ND‡                 | 5.80     | 5.23            | 4.65          | G6AK-234P-ST-US-DC12 |                 |                       |                  |      |              |                  |
|                                                                                  |                                      | 24                                   | 3,200    |                                       |            |                                                                                  |                            |                           | Z751-ND‡                 | 5.80     | 5.23            | 4.65          | G6AK-234P-ST-US-DC24 |                 |                       |                  |      |              |                  |
| —                                                                                | Commutateur bipolaire bidirectionnel | 5                                    | 139      | 1                                     | 0.3        | 70/70/200                                                                        | 5/5                        | 8.4x20.2x10.1             | Z2595-ND                 | 5.80     | 5.23            | 4.65          | G6AK-274P-ST-US-DC5  |                 |                       |                  |      |              |                  |
|                                                                                  |                                      | 12                                   | 800      |                                       |            |                                                                                  |                            |                           | Z2593-ND                 | 5.80     | 5.23            | 4.65          | G6AK-274P-ST-US-DC12 |                 |                       |                  |      |              |                  |
|                                                                                  |                                      | 24                                   | 3,200    |                                       |            |                                                                                  |                            |                           | Z2594-ND                 | 5.80     | 5.23            | 4.65          | G6AK-274P-ST-US-DC24 |                 |                       |                  |      |              |                  |
| 14                                                                               | Commutateur bipolaire bidirectionnel | 5                                    | 125      | 2                                     | 0.4        | 70/70/190                                                                        | 5/5                        | 7.9x16x9.9                | Z833-ND‡                 | 5.15     | 4.64            | 4.13          | G6EK-134P-ST-US-DC5  |                 |                       |                  |      |              |                  |
|                                                                                  |                                      | 12                                   | 720      |                                       |            |                                                                                  |                            |                           | Z834-ND‡                 | 5.15     | 4.64            | 4.13          | G6EK-134P-ST-US-DC12 |                 |                       |                  |      |              |                  |
|                                                                                  |                                      | 24                                   | 2,880    |                                       |            |                                                                                  |                            |                           | Z835-ND‡                 | 5.34     | 4.81            | 4.28          | G6EK-134P-ST-US-DC24 |                 |                       |                  |      |              |                  |
| 6                                                                                | Commutateur bipolaire bidirectionnel | 3                                    | 45       | 1                                     | 0.5        | 75/75/150                                                                        | 3/2                        | 5x14x9                    | Z2543-ND‡                | 4.76     | 4.29            | 3.81          | G6HK-2-DC3           |                 |                       |                  |      |              |                  |
|                                                                                  |                                      | 5                                    | 125      |                                       |            |                                                                                  |                            |                           | Z965-ND‡                 | 4.76     | 4.29            | 3.81          | G6HK-2-DC5           |                 |                       |                  |      |              |                  |
|                                                                                  |                                      | 6                                    | 180      |                                       |            |                                                                                  |                            |                           | Z2544-ND‡                | 4.76     | 4.29            | 3.81          | G6HK-2-DC6           |                 |                       |                  |      |              |                  |
|                                                                                  |                                      | 9                                    | 405      |                                       |            |                                                                                  |                            |                           | Z2545-ND‡                | 4.76     | 4.29            | 3.81          | G6HK-2-DC9           |                 |                       |                  |      |              |                  |
|                                                                                  |                                      | 12                                   | 720      |                                       |            |                                                                                  |                            |                           | Z966-ND‡                 | 4.76     | 4.29            | 3.81          | G6HK-2-DC12          |                 |                       |                  |      |              |                  |
|                                                                                  |                                      | 24                                   | 1,920    |                                       |            |                                                                                  |                            |                           | Z967-ND‡                 | 5.12     | 4.62            | 4.10          | G6HK-2-DC24          |                 |                       |                  |      |              |                  |
|                                                                                  | —                                    | Commutateur bipolaire bidirectionnel | 4.5      | 204.3                                 | 1          | 0.3                                                                              | 75/75/150                  | 3/3                       | 9x10.6x5.7               | Z2143-ND | 3.78            | 3.40          | 3.02                 | G6JU-2P-Y-DC4.5 |                       |                  |      |              |                  |
|                                                                                  |                                      |                                      | 5        | 245.5                                 |            |                                                                                  |                            |                           |                          | Z2144-ND | 3.78            | 3.40          | 3.02                 | G6JU-2P-Y-DC5   |                       |                  |      |              |                  |
|                                                                                  |                                      |                                      | 12       | 1,329.2                               |            |                                                                                  |                            |                           |                          | Z2145-ND | 3.78            | 3.40          | 3.02                 | G6JU-2P-Y-DC12  |                       |                  |      |              |                  |
|                                                                                  |                                      |                                      | 24       | 2,600                                 |            |                                                                                  |                            |                           |                          | Z2146-ND | 4.31            | 3.89          | 3.46                 | G6JU-2P-Y-DC24  |                       |                  |      |              |                  |
|                                                                                  |                                      |                                      | 4.5      | 204.3                                 |            |                                                                                  |                            |                           |                          | 1        | 0.3             | 75/75/150     | 3/3                  | 10x10.6x5.7     | Z2147-ND              | 3.78             | 3.40 | 3.02         | G6JU-2FL-Y-DC4.5 |
|                                                                                  |                                      |                                      | 5        | 245.5                                 |            |                                                                                  |                            |                           |                          |          |                 |               |                      |                 | Z2148-ND              | 3.78             | 3.40 | 3.02         | G6JU-2FL-Y-DC5   |
| 12                                                                               | 1,329.2                              | Z2149-ND                             | 3.78     | 3.40                                  | 3.02       | G6JU-2FL-Y-DC12                                                                  |                            |                           |                          |          |                 |               |                      |                 |                       |                  |      |              |                  |
| 24                                                                               | 2,600                                | Z2150-ND                             | 4.31     | 3.89                                  | 3.46       | G6JU-2FL-Y-DC24                                                                  |                            |                           |                          |          |                 |               |                      |                 |                       |                  |      |              |                  |
| 4.5                                                                              | 204.3                                | 1                                    | 0.3      | 75/75/150                             | 3/3        | 10x10.3x4.8                                                                      | Z1214-ND                   | 3.56                      | 3.21                     |          |                 |               |                      |                 | 2.85                  | G6JU-2FL-DC24    |      |              |                  |
| 5                                                                                | 245.5                                |                                      |          |                                       |            |                                                                                  | Z2151-ND                   | 3.78                      | 3.40                     |          |                 |               |                      |                 | 3.02                  | G6JU-2FS-Y-DC4.5 |      |              |                  |
| 12                                                                               | 1,329.2                              |                                      |          |                                       |            |                                                                                  | Z2152-ND                   | 3.78                      | 3.40                     | 3.02     | G6JU-2FS-Y-DC5  |               |                      |                 |                       |                  |      |              |                  |
| 24                                                                               | 2,600                                |                                      |          |                                       |            |                                                                                  | Z2153-ND                   | 3.78                      | 3.40                     | 3.02     | G6JU-2FS-Y-DC12 |               |                      |                 |                       |                  |      |              |                  |
| 4.5                                                                              | 207.4                                |                                      |          |                                       |            |                                                                                  | 1                          | 0.3                       | 75/75/150                | 3/3      | 10x10.3x4.8     | Z2154-ND      | 4.31                 | 3.89            | 3.46                  | G6JU-2FS-Y-DC24  |      |              |                  |
| 5                                                                                | 245.5                                |                                      |          |                                       |            |                                                                                  |                            |                           |                          |          |                 | Z1219-ND      | 3.56                 | 3.21            | 2.85                  | G6JU-2FS-DC4.5   |      |              |                  |
| 12                                                                               | 1,309                                | Z1221-ND                             | 3.56     | 3.21                                  | 2.85       | G6JU-2FS-DC12                                                                    |                            |                           |                          |          |                 |               |                      |                 |                       |                  |      |              |                  |
| 24                                                                               | 3,672                                | Z1222-ND                             | 3.56     | 3.21                                  | 2.85       | G6JU-2FS-DC24                                                                    |                            |                           |                          |          |                 |               |                      |                 |                       |                  |      |              |                  |
| 15                                                                               | Commutateur bipolaire bidirectionnel | 5                                    | 125      | 2                                     | 0.5        | 75/75/170                                                                        |                            |                           |                          |          |                 | 4/4           | 9.2x14.8x7.3         | Z2665-ND        | 4.86                  | 4.38             | 3.89 | G6SK-2-DC5   |                  |
|                                                                                  |                                      | 12                                   | 720      |                                       |            |                                                                                  |                            |                           |                          |          |                 |               |                      | Z2663-ND        | 4.86                  | 4.38             | 3.89 | G6SK-2-DC12  |                  |
|                                                                                  |                                      | 24                                   | 1,920    |                                       |            |                                                                                  | Z2664-ND                   | 5.48                      | 4.93                     | 4.39     | G6SK-2-DC24     |               |                      |                 |                       |                  |      |              |                  |
|                                                                                  |                                      | 5                                    | 125      |                                       |            |                                                                                  | 2                          | 0.5                       | 75/75/170                | 4/4      | 9.2x14.8x7.3    |               |                      | Z2668-ND        | 4.95                  | 4.46             | 3.97 | G6SK-2F-DC5  |                  |
|                                                                                  |                                      | 12                                   | 720      |                                       |            |                                                                                  |                            |                           |                          |          |                 |               |                      | Z2666-ND        | 4.95                  | 4.46             | 3.97 | G6SK-2F-DC12 |                  |
|                                                                                  |                                      | 24                                   | 1,920    |                                       |            |                                                                                  |                            |                           |                          |          |                 |               |                      | Z2667-ND        | 5.57                  | 5.02             | 4.46 | G6SK-2F-DC24 |                  |

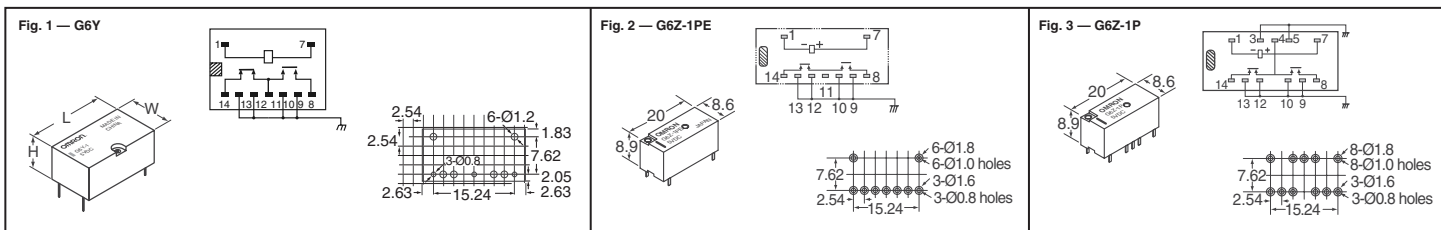
† Boîtier scellé ‡ Conforme aux normes de la FCC partie 68

## Relais haute fréquence

Tous les relais homologués UL/CSA



Configuration de trous de fixation et diagramme de connexion « Vue de dessous sauf indication contraire »



| Fig.                                                         | Forme de contact                      | Bobine         |          | Résistivité nominale des contacts (A) |            | Excit./chute max. ES/sortie/cont. tension d'exploitation (% de tension nominale) | Durée fonc./ouverture (ms) | Dimensions (mm) H x L x W | N° de référence Digi-Key |      |      | Prix unitaire |              |  | N° de référence Omron |
|--------------------------------------------------------------|---------------------------------------|----------------|----------|---------------------------------------|------------|----------------------------------------------------------------------------------|----------------------------|---------------------------|--------------------------|------|------|---------------|--------------|--|-----------------------|
|                                                              |                                       | Tens. (V c.c.) | Rés. (Ω) | 24 V c.c.                             | 115 V c.c. |                                                                                  |                            |                           | 1                        | 25   | 50   |               |              |  |                       |
| <b>Haute fréquence — 900 MHz, 1 GHz, 2,5 GHz, ou 2,6 GHz</b> |                                       |                |          |                                       |            |                                                                                  |                            |                           |                          |      |      |               |              |  |                       |
| 1                                                            | Commutateur unipolaire bidirectionnel | 5              | 125      | 0.01 à 30 c.a./c.c.                   | 75/10/150  | 10/5                                                                             | 9.2x20x11.7                | Z119-ND                   | 3.99                     | 3.60 | 3.20 | 3.20          | G6Y-1-DC5    |  |                       |
|                                                              |                                       | 12             | 720      |                                       |            |                                                                                  |                            | Z120-ND                   | 3.99                     | 3.60 | 3.20 | 3.20          | G6Y-1-DC12   |  |                       |
|                                                              |                                       | 24             | 2,880    |                                       |            |                                                                                  |                            | Z121-ND                   | 3.99                     | 3.60 | 3.20 | 3.20          | G6Y-1-DC24   |  |                       |
| 2                                                            | Commutateur unipolaire bidirectionnel | 5              | 125      | 0.01 à 30 V c.a./V c.c.               | 3.75/5/7.5 | 10/10                                                                            | 8.9x20x8.6                 | Z1601-ND                  | 4.04                     | 3.64 | 3.24 | 3.24          | G6Z-1PE-DC5  |  |                       |
|                                                              |                                       | 12             | 720.4    |                                       |            |                                                                                  |                            | Z1602-ND                  | 4.23                     | 3.80 | 3.38 | 3.38          | G6Z-1PE-DC12 |  |                       |
|                                                              |                                       | 24             | 2,880.1  |                                       |            |                                                                                  |                            | Z1603-ND                  | 4.23                     | 3.80 | 3.38 | 3.38          | G6Z-1PE-DC24 |  |                       |
| 3                                                            | Commutateur unipolaire bidirectionnel | 5              | 125      | 0.01 à 30 V c.a./V c.c.               | 3.75/5/7.5 | 10/10                                                                            | 8.9x20x8.6                 | Z1598-ND                  | 4.23                     | 3.80 | 3.38 | 3.38          | G6Z-1P-DC5   |  |                       |
|                                                              |                                       | 12             | 720.4    |                                       |            |                                                                                  |                            | Z1599-ND                  | 4.23                     | 3.80 | 3.38 | 3.38          | G6Z-1P-DC12  |  |                       |
|                                                              |                                       | 24             | 2,880.1  |                                       |            |                                                                                  |                            | Z1600-ND                  | 4.40                     | 3.97 | 3.53 | 3.53          | G6Z-1P-DC24  |  |                       |

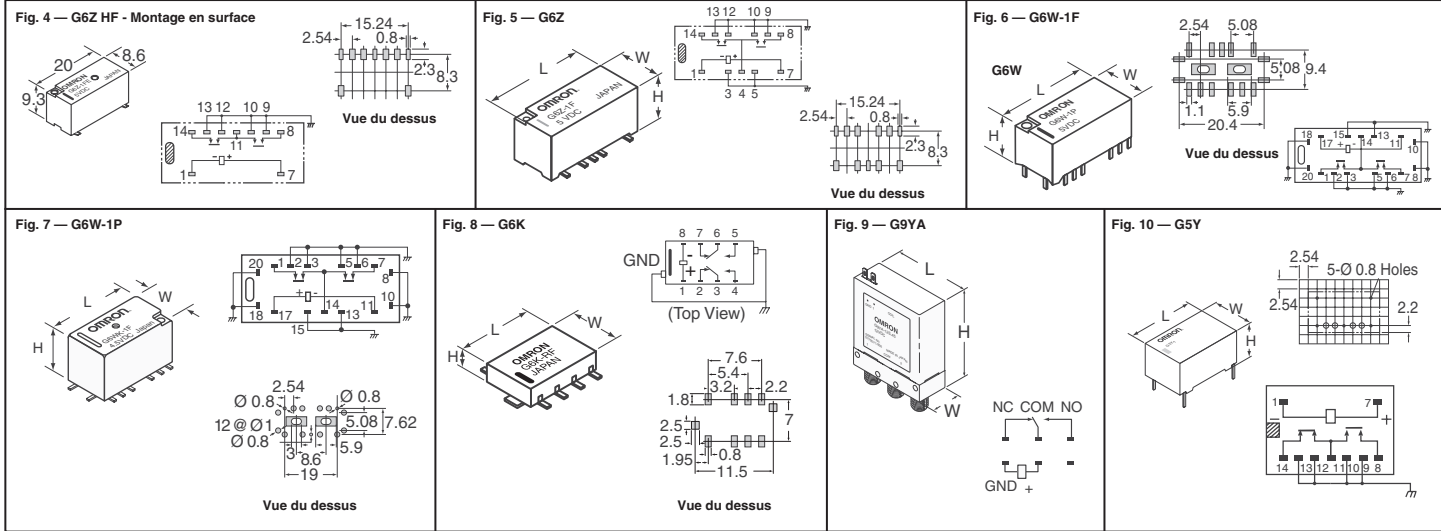
† Boîtier scellé ‡ Conforme aux normes de la FCC partie 68

(suite)

**Livraison gratuite pour les commandes de plus de 65 € ! Tous les prix sont indiqués en euros.**

fr.digikey.com — Téléphone (numéro vert) : 0800-161-113 — Téléphone : +31 (0)53-484-9584 — Télécopieur : +33 (0)38-717-0111

(FR091) 2267



| Fig. | Forme de contact                      | Bobine         |          | Résistivité nominale des contacts (A) |            | Excit./chute/max. ES/sortie/cont. tension d'exploitation (% de tension nominale) | Durée fonc./ouverture (ms) | Dimensions (mm) H x L x W | N° de référence Digi-Key | Prix unitaire |        |        | N° de référence Omron                                                                                                   |
|------|---------------------------------------|----------------|----------|---------------------------------------|------------|----------------------------------------------------------------------------------|----------------------------|---------------------------|--------------------------|---------------|--------|--------|-------------------------------------------------------------------------------------------------------------------------|
|      |                                       | Tens. (V c.c.) | Rés. (Ω) | 24 V c.c.                             | 115 V c.a. |                                                                                  |                            |                           |                          | 1             | 25     | 50     |                                                                                                                         |
| 4    | Commutateur unipolaire bidirectionnel | 5              | 125      | 0,01 à 30 V c.a./V c.c.               |            | 3.75/5/7.5                                                                       | 10/10                      | 9.3 x 20 x 8.6            | Z1607-ND                 | 4.40          | 3.97   | 3.53   | G6Z-1FE-DC5<br>G6Z-1FE-DC12<br>G6Z-1FE-DC24                                                                             |
|      |                                       | 12             | 720.4    |                                       |            |                                                                                  |                            |                           | Z1608-ND                 | 4.59          | 4.14   | 3.68   |                                                                                                                         |
|      |                                       | 24             | 2,880.1  |                                       |            |                                                                                  |                            |                           | Z1609-ND                 | 4.59          | 4.14   | 3.68   |                                                                                                                         |
| 5    | Commutateur unipolaire bidirectionnel | 5              | 125      | 0,01 à 30 V c.a./V c.c.               |            | 3.75/5/7.5                                                                       | 10/10                      | 9.3 x 20 x 8.6            | Z1604-ND                 | 4.59          | 4.14   | 3.68   | G6Z-1F-DC5<br>G6Z-1F-DC12<br>G6Z-1F-DC24                                                                                |
|      |                                       | 12             | 720.4    |                                       |            |                                                                                  |                            |                           | Z1605-ND                 | 4.78          | 4.30   | 3.82   |                                                                                                                         |
|      |                                       | 24             | 2,880.1  |                                       |            |                                                                                  |                            |                           | Z1606-ND                 | 4.78          | 4.30   | 3.82   |                                                                                                                         |
| 6    | Commutateur unipolaire bidirectionnel | 4.5            | 101      | 0,01 à 30 c.a./c.c.                   |            | 80/10/150                                                                        | 10/10                      | 9.2x20x9.4                | Z2047-ND                 | 98.15         | 88.34  | 78.52  | G6W-1F-DC4.5<br>G6W-1F-DC12<br>G6W-1F-DC24                                                                              |
|      |                                       | 12             | 720      |                                       |            |                                                                                  |                            |                           | Z2045-ND                 | 98.15         | 88.34  | 78.52  |                                                                                                                         |
|      |                                       | 24             | 2,880    |                                       |            |                                                                                  |                            |                           | Z2046-ND                 | 98.15         | 88.34  | 78.52  |                                                                                                                         |
| 7    | Commutateur unipolaire bidirectionnel | 4.5            | 101      | 0,01 à 30 c.a./c.c.                   |            | 80/10/150                                                                        | 10/10                      | 8.9x20x9.4                | Z2050-ND                 | —             | —      | 78.52  | G6W-1P-DC4.5<br>G6W-1P-DC12<br>G6W-1P-DC24                                                                              |
|      |                                       | 12             | 720      |                                       |            |                                                                                  |                            |                           | Z2048-ND                 | 98.15         | 88.34  | 78.52  |                                                                                                                         |
|      |                                       | 24             | 2,880    |                                       |            |                                                                                  |                            |                           | Z2049-ND                 | —             | —      | 78.52  |                                                                                                                         |
| 8    | Commutateur bipolaire bidirectionnel  | 3              | 91       | 1                                     | 0.3        | 80/10/150                                                                        | 3/3                        | 5.4x10.3x6.9              | Z2035-ND                 | 22.07         | 19.87  | 17.66  | G6K-2F-RF-DC3<br>G6K-2F-RF-DC4.5<br>G6K-2F-RF-DC5<br>G6K-2F-RF-DC6<br>G6K-2F-RF-DC9<br>G6K-2F-RF-DC12<br>G6K-2F-RF-DC24 |
|      |                                       | 4.5            | 194      |                                       |            |                                                                                  |                            |                           | Z2036-ND                 | 22.07         | 19.87  | 17.66  |                                                                                                                         |
|      |                                       | 5              | 237      |                                       |            |                                                                                  |                            |                           | Z2037-ND                 | 22.07         | 19.87  | 17.66  |                                                                                                                         |
|      |                                       | 6              | 341      |                                       |            |                                                                                  |                            |                           | Z2038-ND                 | 22.07         | 19.87  | 17.66  |                                                                                                                         |
|      |                                       | 9              | 795      |                                       |            |                                                                                  |                            |                           | Z2039-ND                 | 22.07         | 19.87  | 17.66  |                                                                                                                         |
|      |                                       | 12             | 1,315    |                                       |            |                                                                                  |                            |                           | Z2033-ND                 | 22.07         | 19.87  | 17.66  |                                                                                                                         |
| 9    | Commutateur unipolaire bidirectionnel | 4.5            | 29       | 120 W à 3 GHz                         |            | 80/10/150                                                                        | 15/15                      | 39x34x13.2                | Z2510-ND                 | 739.30        | 665.37 | 591.44 | G9YA-12S-45 DC4.5<br>G9YA-12S-45 DC12<br>G9YA-12S-45 DC24                                                               |
|      |                                       | 12             | 205      |                                       |            |                                                                                  |                            |                           | Z2511-ND                 | 724.30        | 651.88 | 579.45 |                                                                                                                         |
|      |                                       | 24             | 822      |                                       |            |                                                                                  |                            |                           | Z2512-ND                 | 724.30        | 651.88 | 579.45 |                                                                                                                         |
| 10   | Commutateur unipolaire bidirectionnel | 5              | 83       | 0,01 à 24 c.a./c.c.                   |            | 75/10/130                                                                        | 10/5                       | 9x20.5x11.5               | Z723-ND††                | 5.21          | 4.81   | 4.51   | G5Y-1-DC5<br>G5Y-1-DC24                                                                                                 |
|      |                                       | 24             | 1,920    |                                       |            |                                                                                  |                            |                           | Z725-ND††                | 6.08          | 5.61   | 5.27   |                                                                                                                         |

Relais haute fréquence coaxiaux 50 ohm

Haute fréquence — Isolation de 68 dB (typique), 900 MHz ou 2 GHz

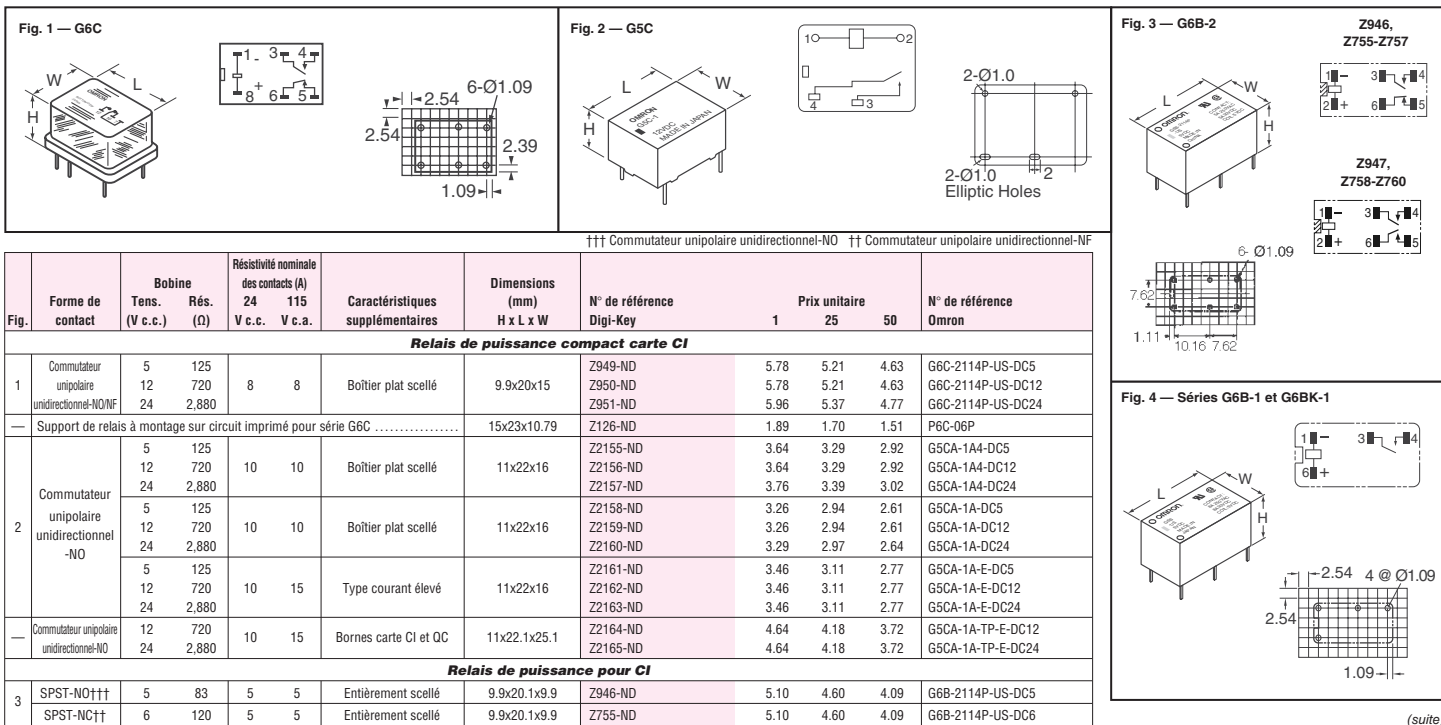
† Boîtier scellé ‡ Conforme aux normes de la FCC partie 68

Relais de puissance pour CI

Tous les relais homologués UL/CSA



Configuration de trous de fixation et diagramme de connexion « Vue de dessous sauf indication contraire »



| Fig.                                                                   | Forme de contact                             | Bobine         |          | Résistivité nominale des contacts (A) |            | Caractéristiques supplémentaires | Dimensions (mm) H x L x W | N° de référence Digi-Key | Prix unitaire |                                                   |      | N° de référence Omron                                      |
|------------------------------------------------------------------------|----------------------------------------------|----------------|----------|---------------------------------------|------------|----------------------------------|---------------------------|--------------------------|---------------|---------------------------------------------------|------|------------------------------------------------------------|
|                                                                        |                                              | Tens. (V c.c.) | Rés. (Ω) | 24 V c.c.                             | 115 V c.a. |                                  |                           |                          | 1             | 25                                                | 50   |                                                            |
| <b>Relais de puissance compact carte CI</b>                            |                                              |                |          |                                       |            |                                  |                           |                          |               |                                                   |      |                                                            |
| 1                                                                      | Commutateur unipolaire unidirectionnel-NQ/NF | 5              | 125      | 8                                     | 8          | Boîtier plat scellé              | 9.9x20x15                 | Z949-ND                  | 5.78          | 5.21                                              | 4.63 | G6C-2114P-US-DC5<br>G6C-2114P-US-DC12<br>G6C-2114P-US-DC24 |
|                                                                        |                                              | 12             | 720      |                                       |            |                                  |                           | Z950-ND                  | 5.78          | 5.21                                              | 4.63 |                                                            |
|                                                                        |                                              | 24             | 2,880    |                                       |            |                                  |                           | Z951-ND                  | 5.96          | 5.37                                              | 4.77 |                                                            |
| — Support de relais à montage sur circuit imprimé pour série G6C ..... |                                              |                |          |                                       |            |                                  |                           | Z126-ND                  | 1.89          | 1.70                                              | 1.51 | P6C-06P                                                    |
| 2                                                                      | Commutateur unipolaire unidirectionnel -NO   | 5              | 125      | 10                                    | 10         | Boîtier plat scellé              | 11x22x16                  | Z2155-ND                 | 3.64          | 3.29                                              | 2.92 | G5CA-1A4-DC5<br>G5CA-1A4-DC12<br>G5CA-1A4-DC24             |
|                                                                        |                                              | 12             | 720      |                                       |            |                                  |                           | Z2156-ND                 | 3.64          | 3.29                                              | 2.92 |                                                            |
|                                                                        |                                              | 24             | 2,880    |                                       |            |                                  |                           | Z2157-ND                 | 3.76          | 3.39                                              | 3.02 |                                                            |
|                                                                        |                                              | 5              | 125      | 10                                    | 10         | Boîtier plat scellé              | 11x22x16                  | Z2158-ND                 | 3.26          | 2.94                                              | 2.61 | G5CA-1A-DC5<br>G5CA-1A-DC12<br>G5CA-1A-DC24                |
|                                                                        |                                              | 12             | 720      |                                       |            |                                  |                           | Z2159-ND                 | 3.26          | 2.94                                              | 2.61 |                                                            |
|                                                                        |                                              | 24             | 2,880    |                                       |            |                                  |                           | Z2160-ND                 | 3.29          | 2.97                                              | 2.64 |                                                            |
| 5                                                                      | 125                                          | 10             | 15       | Type courant élevé                    | 11x22x16   | Z2161-ND                         | 3.46                      | 3.11                     | 2.77          | G5CA-1A-E-DC5<br>G5CA-1A-E-DC12<br>G5CA-1A-E-DC24 |      |                                                            |
| 12                                                                     | 720                                          |                |          |                                       |            | Z2162-ND                         | 3.46                      | 3.11                     | 2.77          |                                                   |      |                                                            |
| 24                                                                     | 2,880                                        |                |          |                                       |            | Z2163-ND                         | 3.46                      | 3.11                     | 2.77          |                                                   |      |                                                            |
| — Commutateur unipolaire unidirectionnel-NO                            |                                              |                |          |                                       |            |                                  |                           | Z2164-ND                 | 4.64          | 4.18                                              | 3.72 | G5CA-1A-TP-E-DC12<br>G5CA-1A-TP-E-DC24                     |
|                                                                        |                                              |                |          |                                       |            |                                  |                           | Z2165-ND                 | 4.64          | 4.18                                              | 3.72 |                                                            |
| <b>Relais de puissance pour CI</b>                                     |                                              |                |          |                                       |            |                                  |                           |                          |               |                                                   |      |                                                            |
| 3                                                                      | SPST-NO†††                                   | 5              | 83       | 5                                     | 5          | Entièrement scellé               | 9.9x20.1x9.9              | Z946-ND                  | 5.10          | 4.60                                              | 4.09 | G6B-2114P-US-DC5<br>G6B-2114P-US-DC6                       |
|                                                                        |                                              | 6              | 120      |                                       |            |                                  |                           | Z755-ND                  | 5.10          | 4.60                                              | 4.09 |                                                            |

(suite)