

Fig.	Tension inverse max. (V)	Courant redressé moyen max. (A)	Boîtier	N° de référence Digi-Key	Prix de bande coupée			Bande et bobine§	
					1	10	100	Qté	Prix
1	20	1	DO-41	1N5817FSCCT-ND◆	.31	2.33	16.16	5,000	55.96/M
	30	1	DO-41	1N5818FSCCT-ND◆	.32	2.41	16.65	5,000	57.60/M
	40	1	DO-41	1N5819FSCCT-ND◆	.31	2.33	16.16	5,000	55.96/M
	50	0.2	DO-35	1N4454CT-ND◆	.05	.36	2.64	10,000	6.92/M
	50	0.2	DO-35	1N4150CT-ND◆	.08	.61	4.40	10,000	11.52/M
	50	4	DO-35	1N4150-ND◆‡	.08	.61	4.40	—	—
	50	1	DO-41	1N4001FSCCT-ND◆	.08	.56	4.02	5,000	12.37/M
	50	3	DO-201AD	1N5400FSCCT-ND◆	.30	2.23	15.42	1,250	65.22/M
	70	0.2	DO-35	1N457ACT-ND◆	.08	.65	4.68	10,000	12.24/M
	70	0.2	DO-35	1N457CT-ND◆	.08	.65	4.68	10,000	12.24/M
1	100	0.2	DO-35	1N914BCT-ND◆	.04	.33	2.37	10,000	6.20/M
	100	0.2	DO-35	1N914CT-ND◆	.04	.33	2.37	10,000	6.20/M
	100	0.2	DO-35	1N4148TACT-ND◆▲	.03	.27	1.93	5,000	5.93/M
	100	0.2	DO-35	1N4448CT-ND◆	.05	.36	2.64	10,000	6.92/M
	100	0.2	DO-35	1N4148FS-ND◆‡	.03	.27	1.93	—	—
	100	0.2	DO-35	1N4148FSTR-ND◆	—	—	—	10,000	5.04/M
	100	1	DO-41	1N4002FSCCT-ND◆	.08	.56	4.02	5,000	12.37/M
	100	3	DO-201AD	1N5401FSCCT-ND◆	.30	2.23	15.42	1,250	65.22/M
	100	1	DO-35	1N914ACT-ND◆	.04	.33	2.37	10,000	5.93/M
	100	1	DO-35	1N914B-ND◆‡	.04	.33	2.37	—	—
2	125	0.2	DO-35	FDH333-ND◆‡	.13	.97	7.05	—	—
	150	0.2	DO-35	1N3595CT-ND◆	.11	.80	5.79	10,000	15.12/M
	200	1	DO-41	1N4003FSCCT-ND◆	.08	.56	4.02	5,000	12.37/M
	200	3	DO-201AD	1N5402FSCCT-ND◆	.30	2.23	15.42	1,250	65.22/M
	400	1	DO-41	1N4004FSCCT-ND◆	.08	.56	4.02	5,000	12.71/M
	600	1	DO-41	1N4005FSCCT-ND◆	.08	.56	4.02	5,000	12.37/M
	800	1	DO-41	1N4006FSCCT-ND◆	.08	.56	4.02	5,000	12.37/M
	1,000	1	DO-41	1N4007FSCCT-ND◆	.08	.56	4.02	5,000	12.37/M
	1,000	1	DO-41	UF4007CT-ND◆	.22	1.65	11.45	5,000	39.64/M
	30	1	DO-35	FJH1100-ND◆‡	4.24	33.88	285.86	—	—
2	600	8	TO-220AC	ISL9R860P2-ND◆‡	.80	6.67	53.36	—	—
	600	8	TO-220AC	RHRP860-ND◆‡	1.17	9.74	77.92	—	—
	600	8	TO-220AC	RURP860-ND◆‡	.74	6.14	49.13	—	—
	600	8	TO-220AC	FFP08S60STU-ND◆‡	.74	6.12	48.96	—	—
	600	8	TO-220-2L	FFP08S60SNTU-ND◆‡	.67	5.59	44.72	—	—
	600	15	TO-220AC	ISL9R1560P2-ND◆‡	1.08	8.64	64.80	—	—
	600	15	TO-220AC	RHRP1560-ND◆‡	1.19	9.98	79.79	—	—
	600	15	TO-220AC	RURP1560-ND◆‡	1.25	10.38	83.01	—	—
	600	30	TO-220AC	ISL9R3060P2-ND◆‡	2.08	16.62	129.25	—	—
	600	30	TO-220AC	RURP3060-ND◆‡	1.52	12.10	90.71	—	—
3	1,000	8	TO-220AC	RURP8100-ND◆‡	.85	7.03	56.24	—	—
	1,200	8	TO-220AC	RHRP8120-ND◆‡	.84	6.99	55.90	—	—
	1,200	30	TO-220AC	RHRP30120-ND◆‡	1.61	12.87	96.56	—	—
	200	30	TO-247	RURG3020CC-ND◆‡	2.72	21.77	169.33	—	—
	600	30	TO-247	ISL9R3060G2-ND◆‡	2.33	18.60	144.67	—	—
	600	30	TO-247	RHRG3060-ND◆‡	2.00	16.01	120.06	—	—
	600	30	TO-247	RURG3060CC-ND◆‡	2.90	23.17	180.24	—	—
	600	30	TO-247	RURG3060-ND◆‡	1.87	14.94	112.06	—	—
	600	50	TO-247	RURG5060-ND◆‡	2.80	22.41	174.31	—	—
	600	80	TO-247	RURG8060-ND◆‡	4.13	33.04	256.96	—	—
4A	30	0.2	SOT-23	BAR43SCT-ND◆	.16	1.19	8.54	3,000	30.86/M
	30	0.2	SOT-23	BAT54SFSCCT-ND◆	.11	.84	6.06	3,000	21.90/M
	70	0.2	SOT-23	BAV99FSCCT-ND◆	.11	.80	5.79	3,000	20.90/M
	100	0.2	SOT-23	MMBD1203CT-ND◆	.14	1.01	7.27	3,000	26.28/M
	100	0.2	SOT-23	MMBD4148SECT-ND◆	.15	1.13	8.15	3,000	29.46/M
	100	0.2	SOT-23	MMBD7000FSCCT-ND◆	.14	.99	7.16	3,000	25.88/M

Fig.	Tension inverse max. (V)	Courant redressé moyen max. (A)	Boîtier	N° de référence Digi-Key	Prix de bande coupée			Bande et bobine§	
					1	10	100	Qté	Prix
4A	120	0.2	SOT-23	BAS31FSCCT-ND◆	.12	.91	6.61	3,000	23.89/M
	200	0.2	SOT-23	MMBD1403CT-ND◆	.14	1.08	7.82	3,000	28.27/M
	200	0.2	SOT-23	MMBD1503ACT-ND◆	.16	1.20	8.70	3,000	31.45/M
	200	0.2	SOT-23	MMBD1504ACT-ND◆	.16	1.20	8.70	3,000	31.45/M
	250	0.2	SOT-23	BAV23SFSCCT-ND◆	.15	1.13	8.15	3,000	29.46/M
4B	30	0.2	SOT-23	BAT54CFSCCT-ND◆	.11	.84	6.06	3,000	21.90/M
	50	0.2	SOT-23	BAV74FSCCT-ND◆	.11	.83	6.01	3,000	21.70/M
	70	0.2	SOT-23	BAV70FSCCT-ND◆	.11	.83	6.01	3,000	21.70/M
	100	0.2	SOT-23	MMBD1204CT-ND◆	.14	1.07	7.71	3,000	27.87/M
	100	0.2	SOT-23	MMBD4148CCCT-ND◆	.15	1.13	8.15	3,000	29.46/M
4C	30	0.2	SOT-23	BAT54FSCCT-ND◆	.10	.75	5.40	3,000	19.51/M
	85	0.2	SOT-23	BAS16FSCCT-ND◆	.09	.73	5.23	3,000	18.91/M
	100	0.2	SOT-23	MMBD4148FSCCT-ND◆	.09	.69	4.95	3,000	17.92/M
	100	0.2	SOT-23	MMBD914FSCCT-ND◆	.11	.84	6.06	3,000	21.90/M
	200	0.2	SOT-23	MMBD1501ACT-ND◆	.13	.94	6.78	3,000	24.57/M
4D	30	0.2	SOT-23	BAT54AFSCCT-ND◆	.11	.84	6.06	3,000	22.03/M
	85	0.2	SOT-23	BAW56FSCCT-ND◆	.12	.91	6.61	3,000	23.89/M
	200	0.2	SOT-23	MMBD1505ACT-ND◆	.16	1.20	8.70	3,000	31.45/M
	20	0.5	SOD-123	MBR0520LCT-ND◆	.24	1.75	12.66	3,000	45.78/M
	30	2	SMB	SS23CT-ND◆	.40	3.24	22.26	7,500	105.12/M
5	40	1	SMA	SS14CT-ND◆	.34	2.65	18.63	7,500	72.00/M
	40	2	SMB	SS24FSCCT-ND◆	.40	3.24	22.26	3,000	105.03/M
	40	3	SMC	MBS340FSCCT-ND◆	.42	3.18	23.83	3,000	137.64/M
	50	1	SMA	S1AFSCCT-ND◆	.20	1.52	11.01	7,500	33.88/M
	60	2	SMB	SS26FSCCT-ND◆	.35	2.78	20.84	3,000	93.77/M
	100	1	SMA	S1BFSCCT-ND◆	.20	1.52	11.01	7,500	33.88/M
	100	1	SMA	EGF1BCT-ND◆	.35	2.80	19.21	7,500	85.38/M
	100	1	SMA	S100CT-ND◆	.36	2.90	21.70	7,500	94.04/M
	100	3	SMC	S3BFSCCT-ND◆	.32	2.62	17.93	3,000	84.70/M
	200	1	SMA	ES1DFSCCT-ND◆	.30	2.24	15.55	7,500	53.82/M
6	200	2	SMB	ES2DFSCCT-ND◆	.34	2.63	18.56	3,000	75.93/M
	200	3	SMC	ES3DFSCCT-ND◆	.35	2.78	20.84	3,000	93.77/M
	300	1	SMA	ES1FCT-ND◆	.27	2.03	14.09	7,500	48.79/M
	400	1	SMA	S1GFSCCT-ND◆	.20	1.52	11.01	7,500	33.88/M
	400	1	SMA	ES1GFSCCT-ND◆	.27	2.03	14.09	7,500	48.79/M
	500	1	SMA	ES1HCT-ND◆	.27	2.03	14.09	7,500	48.79/M
	600	1	SMA	ES1JFSCCT-ND◆	.27	2.03	14.09	7,500	48.79/M
	600	3	SMC	ESS3CT-ND◆	.34	2.71	20.33	3,000	91.48/M
	1,000	1	SMA	S1MFSCCT-ND◆	.22	1.68	12.11	7,500	37.27/M
	100	0.2	LL-34	FDLL4148CT-ND◆	.07	.50	3.58	2,500	12.94/M
7	100	0.25	TO-236AB	FLD261FSCCT-ND◆	.19	1.41	10.24	3,000	37.03/M
	100	20	TO-220	MBR20S100CTTU-ND◆‡	.77	5.79	43.45	—	—
	85	0.15	SOD-923	BAS16SLCT-ND◆	.25	1.81	12.55	—	—
	30	0.03	SOD-923	RB751SLCT-ND◆	.71	5.93	47.43	—	—
	40	0.1	SOD-923	BAS40SLCT-ND◆	.25	1.85	12.77	—	—
	100	0.15	SOD-323F	1N4148WFSCT-ND◆	.09	.69	4.95	3,000	17.92/M
	100	0.15	SOD-323F	1N4448WFSCT-ND◆	.09	.69	4.95	3,000	17.92/M
	100	0.15	SOD-323F	1N914BWSCT-ND◆	.09	.69	4.95	3,000	17.92/M

§ Pour obtenir le numéro de référence de bande et bobine, remplacer CT-ND par TR-ND. ▲ Pour le numéro de réf. de bande et bobine, remplacer CT-ND par TB-ND ‡ En vrac ◆ Conforme à RoHS

Diodes Zener



Tension Zener VR (V)	IR (µA)	N° de référence Digi-Key	Prix de bande coupée			Bande et bobine§	
			1	10	100	Qté	Prix
DO-35							
1.0	100	1N5221B-ND‡	.06	.47	3.41	—	—
1.0	5	1N5229BFSCCT-ND	.07	.50	3.58	5,000	11.02/M
1.0	2	1N5230BFSCCT-ND	.07	.50	3.58	5,000	11.02/M
1.0	0.1	BZX55C5V6-ND‡	.06	.47	3.41	—	—
2.0	5	1N5231BFSCCT-ND	.07	.50	3.58	5,000	11.02/M
2.4	100	1N5221B_T50RCT-ND	.07	.50	3.58	5,000	11.02/M
3.5	5	1N5233BFSCCT-ND	.07	.50	3.58	5,000	11.02/M
5.0	3	1N5235BFSCCT-ND	.07	.50	3.58	5,000	11.02/M
5.1	5	1N5231B-ND‡	.07	.50	3.58	—	—
5.1	1	1N751A-ND‡	.07	.50			

Tension Zener VR (V)	IR (µA)	N° de référence Digi-Key	Prix de bande coupée			Bande et bobine§	
			1	10	100	Qté	Prix
2.0	10	1N4734AFSCT-ND	.14	1.05	7.60	3,000	27.47/M
5.0	10	1N4737AFSCT-ND	.14	1.05	7.60	3,000	27.47/M
6.0	10	1N4738AFSCT-ND	.14	1.05	7.60	3,000	27.47/M
6.2	10	1N4735AFSCT-ND	.14	1.05	7.60	3,000	27.11/M
6.8	10	1N4736AFSCT-ND	.14	1.05	7.60	3,000	27.11/M
7.6	10	1N4740AFSCT-ND	.14	1.05	7.60	3,000	27.47/M
8.4	0.5	BZX85C12-ND‡	.14	1.01	7.27	—	—
8.4	5	1N4741AFSCT-ND	.14	1.05	7.60	3,000	27.47/M
10	10	1N4740A-ND‡	.14	1.05	7.60	—	—
9.1	5	1N4742AFSCT-ND	.14	1.05	7.60	3,000	27.47/M
13.7	5	1N4746AFSCT-ND	.14	1.05	7.60	3,000	27.47/M
15	5	1N4744A-ND‡	.14	1.05	7.60	—	—
15	5	1N4744AFSCT-ND	.14	1.05	7.60	3,000	27.11/M
15.2	5	1N4747AFSCT-ND	.14	1.05	7.60	3,000	27.47/M
16.7	5	1N4748AFSCT-ND	.14	1.05	7.60	3,000	27.47/M
18	5	1N4746A-ND‡	.14	1.05	7.60	—	—
20.6	5	1N4750AFSCT-ND	.14	1.05	7.60	3,000	27.47/M
33	5	1N4752AFSCT-ND	.14	1.05	7.60	3,000	27.47/M
SOT-23							
1.0	5	BZX84C3V3FSCT-ND	.10	.75	5.40	3,000	19.51/M
2.0	3	BZX84C4V7FSCT-ND	.10	.75	5.40	3,000	19.51/M
2.0	1	BZX84C5V6FSCT-ND	.10	.75	5.40	3,000	19.51/M
4.0	2	BZX84C6V8FSCT-ND	.12	.90	6.50	3,000	23.49/M
4.0	3	BZX84C6V2FSCT-ND	.10	.75	5.40	3,000	19.51/M
5.1	2	BZX84C5V1FSCT-ND	.10	.75	5.40	3,000	19.51/M
5.6	5	MMBZ5232BFSCT-ND	.09	.73	5.23	3,000	18.64/M
6.0	0.5	BZX84C9V1FSCT-ND	.12	.90	6.50	3,000	23.49/M
8.0	0.1	BZX84C11FSCT-ND	.12	.90	6.50	—	—
8.0	0.1	BZX84C12FSCT-ND	.12	.90	6.50	3,000	23.49/M
10.5	0.05	BZX84C15FSCT-ND	.12	.90	6.50	3,000	23.49/M
12	1	MMBZ5242BFSCT-ND	.12	.91	6.61	3,000	23.89/M
20	0.05	BZX84C20FSCT-ND	.12	.90	6.50	3,000	23.49/M
SOD-80							
0.7	55	FLZ2V2ACT-ND	.09	.68	4.90	2,500	17.72/M
		FLZ2V2BCT-ND	.09	.68	4.90	2,500	17.72/M
	84	FLZ2V4ACT-ND	.09	.68	4.90	2,500	17.72/M
		FLZ2V4BCT-ND	.09	.68	4.90	2,500	17.72/M
	70	FLZ2V7ACT-ND	.09	.68	4.90	2,500	17.72/M
		FLZ2V7BCT-ND	.09	.68	4.90	2,500	17.72/M
	35	FLZ3V0ACT-ND	.09	.68	4.90	2,500	17.72/M
		FLZ3V0BCT-ND	.09	.68	4.90	2,500	23.49/M
	14	FLZ3V3ACT-ND	.09	.68	4.90	2,500	17.72/M
		FLZ3V3BCT-ND	.09	.68	4.90	2,500	17.72/M
1	2.8	FLZ3V6ACT-ND	.09	.68	4.90	2,500	17.72/M
		FLZ3V6BCT-ND	.09	.68	4.90	2,500	17.72/M
	1.4	FLZ3V9ACT-ND	.09	.68	4.90	2,500	17.72/M
		FLZ3V9BCT-ND	.09	.68	4.90	2,500	17.72/M
	0.47	FLZ4V3ACT-ND	.09	.68	4.90	2,500	17.72/M
		FLZ4V3BCT-ND	.09	.68	4.90	2,500	17.72/M
	0.19	FLZ4V7ACT-ND	.09	.68	4.90	2,500	17.72/M
		FLZ4V7BCT-ND	.09	.68	4.90	2,500	17.72/M
	0.19	FLZ4V7CCT-ND	.09	.68	4.90	2,500	17.72/M
		FLZ5V1ACT-ND	.09	.68	4.90	2,500	17.72/M
1.5	0.19	FLZ5V1BCT-ND	.09	.68	4.90	2,500	17.72/M
		FLZ5V1CCT-ND	.09	.68	4.90	2,500	17.72/M
2.5	0.75	FLZ5V6ACT-ND	.09	.68	4.90	2,500	17.72/M
		FLZ5V6BCT-ND	.09	.68	4.90	2,500	17.72/M
	3.3	FLZ6V2ACT-ND	.09	.68	4.90	2,500	17.72/M
		FLZ6V2BCT-ND	.09	.68	4.90	2,500	17.72/M
3	3.3	FLZ6V2CCT-ND	.09	.68	4.90	2,500	17.72/M
		FLZ6V8ACT-ND	.09	.68	4.90	2,500	17.72/M
3.5	1.1	FLZ6V8BCT-ND	.09	.68	4.90	2,500	17.72/M
		FLZ6V8CCT-ND	.09	.68	4.90	2,500	17.72/M
4	0.3	FLZ7V5ACT-ND	.09	.68	4.90	2,500	17.72/M
		FLZ7V5BCT-ND	.09	.68	4.90	2,500	17.72/M
	0.3	FLZ8V2ACT-ND	.09	.68	4.90	2,500	17.72/M
		FLZ8V2BCT-ND	.09	.68	4.90	2,500	17.72/M
5	0.3	FLZ8V2CCT-ND	.09	.68	4.90	2,500	17.72/M
		FLZ9V1ACT-ND	.09	.68	4.90	2,500	17.72/M
6	0.3	FLZ9V1BCT-ND	.09	.68	4.90	2,500	17.72/M
		FLZ9V1CCT-ND	.09	.68	4.90	2,500	17.72/M
7	0.11	FLZ10VACT-ND	.09	.68	4.90	2,500	17.72/M
		FLZ10VBCT-ND	.09	.68	4.90	2,500	17.72/M
	0.133	FLZ11VACT-ND	.09	.68	4.90	2,500	17.72/M
		FLZ11VBCT-ND	.09	.68	4.90	2,500	17.72/M
8	0.133	FLZ11VCT-ND	.09	.68	4.90	2,500	17.72/M
		FLZ12VACT-ND	.09	.68	4.90	2,500	17.72/M
9	0.133	FLZ12VBCT-ND	.09	.68	4.90	2,500	17.72/M
		FLZ12VCT-ND	.09	.68	4.90	2,500	17.72/M
10	0.133	FLZ13VACT-ND	.09	.68	4.90	2,500	17.72/M
		FLZ13VBCT-ND	.09	.68	4.90	2,500	17.72/M
	0.133	FLZ15VACT-ND	.09	.68	4.90	2,500	17.72/M
		FLZ15VBCT-ND	.09	.68	4.90	2,500	17.72/M
11	0.133	FLZ15VCT-ND	.09	.68	4.90	2,500	17.72/M
		FLZ16VACT-ND	.09	.68	4.90	2,500	17.72/M
12	0.133	FLZ16VBCT-ND	.09	.68	4.90	2,500	17.72/M
		FLZ16VCT-ND	.09	.68	4.90	2,500	17.72/M
13	0.133	FLZ18VACT-ND	.09	.68	4.90	2,500	17.72/M
		FLZ18VBCT-ND	.09	.68	4.90	2,500	17.72/M
	0.133	FLZ18VCT-ND	.09	.68	4.90	2,500	17.72/M
		FLZ20VACT-ND	.09	.68	4.90	2,500	17.72/M

Tension Zener VR (V)	IR (µA)	N° de référence Digi-Key	Prix de bande coupée			Bande et bobine§	
			1	10	100	Qté	Prix
15	0.133	FLZ20VBCT-ND	.09	.68	4.90	2,500	17.72/M
		FLZ20VCT-ND	.09	.68	4.90	2,500	17.72/M
		FLZ20VDCCT-ND	.09	.68	4.90	2,500	17.72/M
17	0.133	FLZ22VACT-ND	.09	.68	4.90	2,500	17.72/M
		FLZ22VBCT-ND	.09	.68	4.90	2,500	17.72/M
		FLZ22VCT-ND	.09	.68	4.90	2,500	17.72/M
19	0.133	FLZ24VACT-ND	.09	.68	4.90	2,500	17.72/M
		FLZ24VBCT-ND	.09	.68	4.90	2,500	17.72/M
		FLZ24VCT-ND	.09	.68	4.90	2,500	17.72/M
21	0.133	FLZ27VACT-ND	.09	.68	4.90	2,500	17.72/M
		FLZ27VBCT-ND	.09	.68	4.90	2,500	17.72/M
		FLZ27VCT-ND	.09	.68	4.90	2,500	17.72/M
23	0.133	FLZ30VACT-ND	.09	.68	4.90	2,500	17.72/M
		FLZ30VBCT-ND	.09	.68	4.90	2,500	17.72/M
		FLZ30VCT-ND	.09	.68	4.90	2,500	17.72/M
25	0.133	FLZ33VACT-ND	.09	.68	4.90	2,500	17.72/M
		FLZ33VBCT-ND	.09	.68	4.90	2,500	17.72/M
		FLZ33VCT-ND	.09	.68	4.90	2,500	17.72/M
27	0.133	FLZ36VACT-ND	.09	.68	4.90	2,500	17.72/M
		FLZ36VBCT-ND	.09	.68	4.90	2,500	17.72/M
		FLZ36VCT-ND	.09	.68	4.90	2,500	17.72/M
30	0.133	FLZ39VACT-ND	.09	.68	4.90	2,500	17.72/M
		FLZ39VBCT-ND	.09	.68	4.90	2,500	17.72/M
		FLZ39VCT-ND	.09	.68	4.90	2,500	17.72/M
SOD-123							
10	3	MMZ5240BFSCT-ND	.15	1.13	8.21	3,000	29.65/M
12	1	MMZ5242BFSCT-ND	.15	1.13	8.21	3,000	29.65/M
SOD-323F							
2.4	45	MM322V4BCT-ND	.12	.88	6.34	3,000	22.89/M
		MM322V4CCT-ND	.11	.84	6.06	3,000	21.90/M
2.7	18	MM322V7BCT-ND	.12	.88	6.34	3,000	22.89/M
		MM322V7CCT-ND	.11	.84	6.06	3,000	21.90/M
3.0	9	MM323V0BCT-ND	.12	.88	6.34	3,000	22.89/M
		MM323V0CCT-ND	.11	.84	6.06	3,000	21.90/M
3.3	4.5	MM323V3BCT-ND	.12	.88	6.34	3,000	22.89/M
		MM323V3CCT-ND	.11	.84	6.06	3,000	21.90/M
3.6	4.5	MM323V6BCT-ND	.12	.88	6.34	3,000	22.89/M
		MM323V6CCT-ND	.11	.84	6.06	3,000	21.90/M
3.9	2.7	MM323V9BCT-ND	.12	.88	6.34	3,000	22.89/M
		MM323V9CCT-ND	.11	.84	6.06	3,000	21.90/M
4.3	2.7	MM324V3BCT-ND	.12	.88	6.34	3,000	22.89/M
		MM324V3CCT-ND	.11	.84	6.06	3,000	21.90/M
4.7	2.7	MM324V7BCT-ND	.12	.88	6.34	3,000	22.89/M
		MM324V7CCT-ND	.11	.84	6.06	3,000	21.90/M
5.1	1.8	MM325V1BCT-ND	.12	.88	6.34	3,000	22.89/M
		MM325V1CCT-ND	.11	.84	6.06	3,000	21.90/M
5.6	0.9	MM325V6BCT-ND	.12	.88	6.34	3,000	22.89/M
		MM325V6CCT-ND	.11	.84	6.06	3,000	21.90/M
6.2	2.7	MM326V2BCT-ND	.12	.88	6.34	3,000	22.89/M
		MM326V2CCT-ND	.11	.84	6.06	3,000	21.90/M
6.8	1.8	MM326V8BCT-ND	.12	.88	6.34	3,000	22.89/M
		MM326V8CCT-ND	.11	.84	6.06	3,000	21.90/M
7.5	0.9	MM327V5BCT-ND	.12	.88	6.34	3,000	22.89/M
		MM327V5CCT-ND	.11	.84	6.06	3,000	2

Tension Zener VR (V)	IR (µA)	N° de référence Digi-Key	Prix de bande coupée			Bande et bobine§	
			1	10	100	Qté	Prix
43	0.045	MM3Z43VCCT-ND	.11	.84	6.06	3,000	21.90/M
47	0.045	MM3Z47VBCCT-ND MM3Z47VCCT-ND	.12 .11	.88 .84	6.34 6.06	3,000 3,000	22.89/M 21.90/M
51	0.045	MM3Z51VBCCT-ND MM3Z51VCCT-ND	.12 .11	.88 .84	6.34 6.06	3,000 3,000	22.89/M 21.90/M
56	0.045	MM3Z56VBCCT-ND MM3Z56VCCT-ND	.12 .11	.88 .84	6.34 6.06	3,000 3,000	22.89/M 21.90/M
62	0.045	MM3Z62VBCCT-ND MM3Z62VCCT-ND	.12 .11	.88 .84	6.34 6.06	3,000 3,000	22.89/M 21.90/M
68	0.045	MM3Z68VBCCT-ND MM3Z68VCCT-ND	.12 .11	.88 .84	6.34 6.06	3,000 3,000	22.89/M 21.90/M
75	0.045	MM3Z75VBCCT-ND MM3Z75VCCT-ND	.12 .11	.88 .84	6.34 6.06	3,000 3,000	22.89/M 21.90/M
SOT 23							
3.0	5	MMBZ5V6BCT-ND	.34	6.62	18.63	3,000	76.23/M
TO220F-2							
600	100	FFPF08H60STU-ND‡	.81	6.10	45.74	—	—
	100	FFPF08S60STU-ND‡	.64	5.29	42.35	—	—
	1	FFPF10H60STU-ND‡	.69	5.72	45.74	—	—

‡ En vrac § Pour obtenir le numéro de référence de bande et bobine, remplacer CT-ND par TR-ND

Fig.	Tension de crête VRRM (V)	Courant IF (A)	Boîtier	N° de référence Digi-Key	Prix unitaire		
					1	25	100
7	300	20	D2-PAK	FFB20UP30DNTMCT-ND‡	1.17	.94	.70
	300	20	D2-PAK	FFB20UP30DNTMTR-ND‡	—	503.12/800	—
	300	20	D2-PAK	FFB20UP30DNTPTMCT-ND‡ FFB20UP30DNTPTMTR-ND‡	1.19	.99	.80
8	200	6	D-PAK	FFD06UP20SCT-ND‡	.49	.37	.28
	200	6	D-PAK	FFD06UP20STR-ND‡	—	396.40/2,500	—
	200	10	D-PAK	FFD10UP20SCT-ND‡ FFD10UP20STR-ND‡	.56	.42	.32

‡ Bande coupée § Bande et bobine

Triacs – Thyristor bidirectionnel au silicium

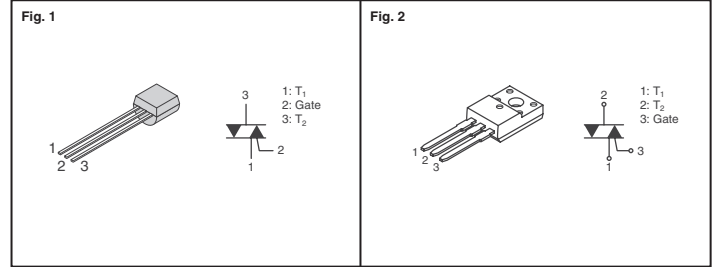


Fig.	VDRM (V)	IT (A)	Boîtier	N° de référence Digi-Key	Prix		
					1	10	100
1	400	0.8	TO-92	FKN08PN40S-ND	.33	2.67	18.30
	600	0.8	TO-92	FKN08PN60-ND	.33	2.67	18.30
	600	1.0	TO-92	FKN1N60SA-ND	.33	2.67	18.30
2	800	3.0	TO-220F	FKPF3N80TU-ND	.58	4.32	32.40

Diodes à recouvrement ultra-rapide

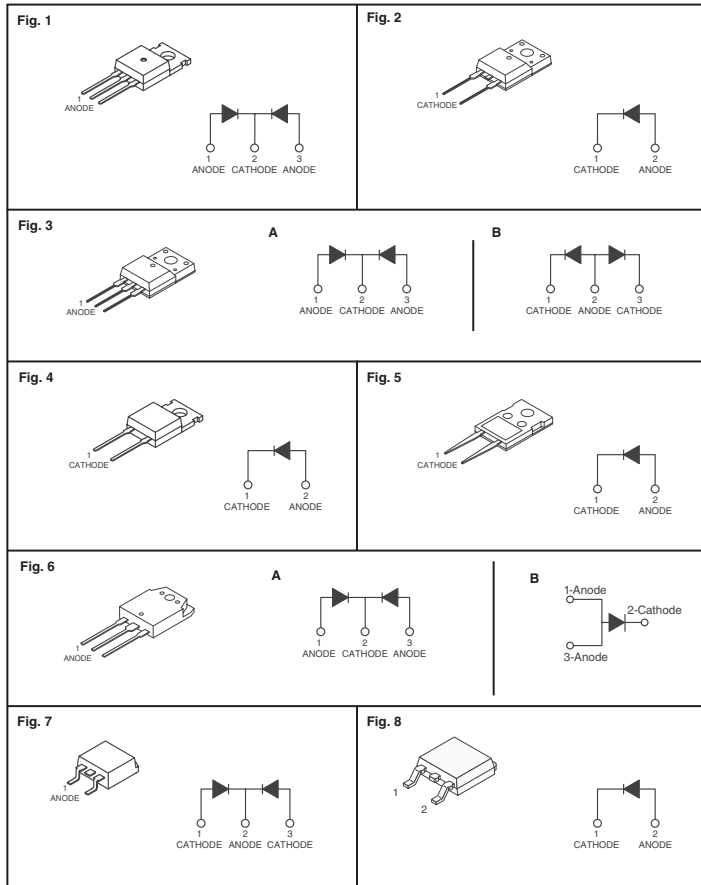


Fig.	Tension de crête VRRM (V)	Courant IF (A)	Boîtier	N° de référence Digi-Key	Prix unitaire		
					1	25	100
1	200	15	TO-220	FFP30UP20DNTU-ND	1.26	1.05	.84
2	600	4	TO-220F-2	FFPF04S60STU-ND	.64	.53	.43
	600	15	TO-220F-2	FFPF15S60STU-ND	.84	.70	.56
	200	15	TO-220F	FFPF15UP20STU-ND	.81	.61	.46
	600	30	TO-220F	FFPF30U60STTU-ND	1.02	.85	.68
3A	200	15	TO-220F	FFPF30UP20DNTU-ND	.97	.81	.65
	600	20	TO-220F	FFPF20UP60DNTU-ND	1.02	.77	.58
3B	200	15	TO-220F	FFPF30UP20DPTU-ND	1.26	1.05	.84
4	600	4	TO-220-2L	FFP04H60STU-ND	.76	.64	.51
	600	4	TO-220-2	FFP04S60STU-ND	.81	.61	.46
	600	15	TO-220-2	FFP15S60STU-ND	1.08	.91	.73
	600	30	TO-220-2	FFP30S60STU-ND	1.37	1.10	.83
5	600	15	TO-247-2	FFH15S60STU-ND	1.45	1.16	.87
	600	30	TO-247-2	FFH30S60STU-ND	2.11	1.69	1.27
6A	200	15	TO-3P	FFA30UP20DNTU-ND	1.47	1.17	.88
	600	15	TO-3PN	RHRA1560CC-ND	3.57	2.86	2.22
6B	350	40	TO-3P	FFA40UP35STU-ND	1.55	1.24	.93

Suppresseurs de tension transitoire

VRRM (V)	VBR (V)		IT (mA)	N° de référence Digi-Key	Prix de bande coupée			Bande et bobine§	
	Minimum	Maximum			1	25	100	Qté	Prix
SA — DO-15									
16	17.8	19.7	1	SA16CAFSTR-ND	—	—	—	4,000	83.52/M
SMB — DO-214AA									
5	6.4	7.0	10	SMBJ50VACT-ND	.30	6.17	16.92	3,000	79.62/M
33	36.7	40.6	1	SMBJ33AFSCT-ND	.36	7.15	20.12	3,000	82.33/M
33	36.7	40.6	1	SMBJ33CAFSCCT-ND	.36	7.34	20.12	3,000	95.04/M
SMC — DO-214AB									
36	40	44.2	1	SMCJ36CAFSCCT-ND	.42	7.81	23.42	3,000	135.33/M
85	94.4	104	1	SMCJ85CAFSCCT-ND	.42	7.81	23.42	3,000	135.33/M
100	111	123	1	SMCJ100CAFSCCT-ND	.44	8.81	26.43	3,000	118.92/M

§ Pour obtenir le numéro de référence de bande et bobine, remplacer CT-ND par TR-ND

Redresseurs en pont

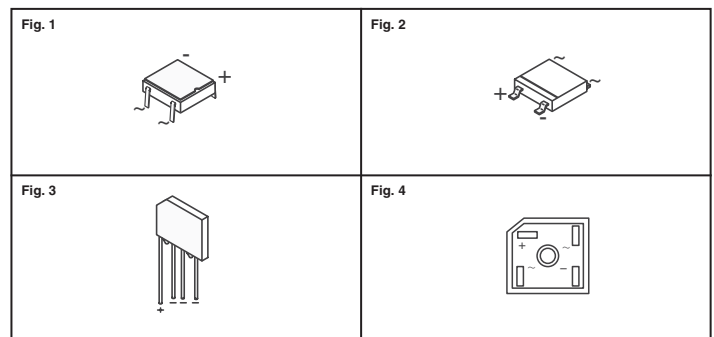


Fig.	Tension inverse max. (V)	Courant redressé moyen max. (A)	Boîtier	N° de référence Digi-Key	Prix			Bande et bobine§	
					1	25	100	Qté	Prix
1	50	1.5	DIP	DF005M-ND	.42	8.33	22.87	—	—
	100	1.5	DIP	DF01M-ND	.42	8.33	22.87	—	—
	400	1.5	DIP	DF04M-ND	.41	8.22	22.56	—	—
	600	1.5	DIP	DF06M-ND	.42	8.56	23.48	—	—
2	100	1.5	SDIP	DF01SCT-ND‡	.42	8.33	22.87	1,500	114.35/M
	200	1.5	SDIP	DF02SCT-ND‡	.42	8.33	22.87	1,500	114.35/M
	400	1.5	SDIP	DF04SCT-ND‡	.42	8.33	22.87	1,500	114.35/M
	1,000	1.5	SDIP	DF10SCT-ND‡	.41	8.13	24.39	1,500	113.84/M
3	400	2.0	KBPM	2KBP04MFS-ND	.47	8.71	26.11	—	—
	800	2.0	KBPM	3N258-ND	.50	9.34	28.02	—	—
4	200	25	GBPC	GBPC2502-ND	1.74	34.73	104.18	—	—

‡ Bande coupée § Pour obtenir le numéro de référence de bande et bobine, remplacer CT-ND par TR-ND

Digi-Reel® La plupart des composants à découper à technologie CMS sont disponibles sur une Digi-Reel®. Pour connaître la référence bobine Digi-Reel, modifier 1-ND en 6-ND ou CT-ND en DKR-ND. Voir les services Digi-Key® en page 2 pour plus d'informations.