



Diodes

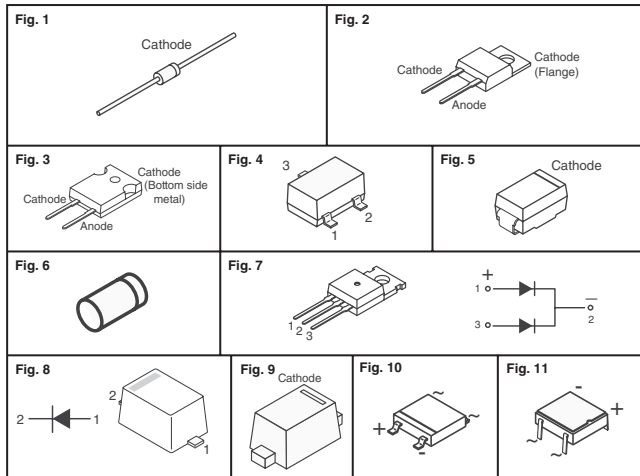


Fig.	Max. Reverse Voltage (V)	Max. Average Rectified Current (A)	Package	Digi-Key Part No.	Cut Tape Pricing			Tape and Reel\$	
					1	10	100	Qty.	Pricing
1	20	1	DO-41	1N5817FSC-ND	.45	3.21	19.28	5,000	57.83/M
	30	1	DO-41	1N5818FSC-ND	.45	3.21	19.28	5,000	57.83/M
	30	1	DO-35	FJH1100-ND	13.75	125.07	1063.11	—	—
	40	1	DO-41	1N5819FSC-ND	.45	3.21	19.28	5,000	57.83/M
	45	12	DO-201AD	SB1245CT-ND	1.54	13.80	109.61	1,250	608.84/M
	50	0.2	DO-35	1N4454CT-ND	.17	1.10	4.79	10,000	9.92/M
	50	0.2	DO-35	1N4150CT-ND	.23	1.52	6.61	—	—
	50	1	DO-41	1N4001FSC-ND	.26	1.71	7.43	5,000	17.35/M
	50	4	DO-35	1N4150-ND	.26	1.66	7.24	—	—
	70	0.2	DO-35	1N457ACT-ND	.21	1.37	5.97	10,000	19.00/M
	70	0.2	DO-35	1N457CT-ND	.33	2.15	9.33	10,000	19.00/M
	100	0.2	DO-35	1N914BCT-ND	.13	.86	3.72	10,000	7.44/M
100	0.2	DO-35	1N914CT-ND	.14	.93	4.05	10,000	8.27/M	
100	0.2	DO-35	1N4148TACT-ND	.12	.78	3.39	5,000	7.96/M	
100	0.2	DO-35	1N4448CT-ND	.17	1.10	4.79	10,000	9.92/M	
100	0.2	DO-35	1N4148FS-ND	.12	.78	3.39	—	—	
100	0.2	DO-35	1N4148FSTR-ND	—	—	—	10,000	6.61/M	
100	1	DO-41	1N4002FSC-ND	.26	1.71	7.43	5,000	17.35/M	
100	1	DO-35	1N914ACT-ND	.13	.86	3.72	10,000	7.44/M	
100	1	DO-35	1N914B-ND	.13	.86	3.72	—	—	
100	3	DO-201AD	1N5401FSC-ND	.43	3.04	18.24	1,250	70.22/M	
125	0.2	DO-35	FDH300TRCT-ND	.40	2.68	11.65	10,000	23.14/M	
125	0.2	DO-35	FDH333-ND	.40	2.68	11.65	—	—	
150	0.2	DO-35	1N3595CT-ND	.33	2.15	9.33	10,000	19.00/M	
200	1	DO-41	1N4003FSC-ND	.28	1.84	8.01	5,000	19.00/M	
200	3	DO-201AD	1N5402FSC-ND	.43	3.04	18.24	1,250	70.22/M	
400	1	DO-41	1N4004FSC-ND	.28	1.84	8.01	5,000	19.00/M	
600	1	DO-41	1N4005FSC-ND	.30	1.94	8.43	5,000	19.83/M	
600	1	DO-41	1N4937FSC-ND	.41	2.72	11.81	25,000	19.83/M	
800	1	DO-41	1N4006FSC-ND	.28	1.84	8.01	5,000	19.00/M	
1,000	1	DO-41	1N4007FSC-ND	.28	1.84	8.01	5,000	19.00/M	
1,000	1	DO-41	UF4007CT-ND	.40	2.87	17.20	5,000	51.22/M	
1,000	3	DO-201AD	1N5408FSC-ND	.49	3.47	20.82	1,250	80.13/M	
2	200	15	TO-220F	FFP15UP20STTU-ND	.74	6.51	51.42	—	—
	600	8	TO-220AC	ISLR860P2-ND	1.01	8.93	70.56	—	—
	600	8	TO-220AC	RHRP860-ND	1.13	9.99	78.93	—	—
	600	8	TO-220AC	RURP860-ND	.95	8.38	66.24	—	—
	600	8	TO-220AC	FFP08S60STU-ND	.94	8.33	65.78	—	—
	600	8	TO-220-2L	FFP08S60SNTU-ND	.90	7.99	63.15	—	—
	600	8	TO-220-2L	FFP08S60SNTU-ND	.90	7.99	63.15	—	—
	600	15	TO-220AC	ISLR1560P2-ND	1.37	12.38	99.54	—	—
	600	15	TO-220AC	RHRP1560-ND	1.43	12.66	100.11	—	—
	600	15	TO-220AC	RURP1560-ND	1.31	11.90	95.63	—	—
	600	30	TO-220AC	ISLR3060P2-ND	2.64	23.63	193.82	—	—
	600	30	TO-220AC	RURP3060-ND	1.92	17.34	139.35	—	—
1,000	8	TO-220AC	RURP8100-ND	1.03	9.18	72.54	—	—	
1,200	8	TO-220AC	RHRP8120-ND	1.00	8.87	70.13	—	—	
1,200	30	TO-220AC	RHRP30120-ND	2.04	18.46	148.33	—	—	
3	200	30	TO-247	RURG3020CC-ND	3.33	29.71	243.61	—	—
	600	30	TO-247	ISLR93060G2-ND	2.82	25.15	206.27	—	—
	600	30	TO-247	RHRG3060-ND	2.54	22.95	184.44	—	—
	600	30	TO-247	RURG3060CC-ND	3.58	31.97	262.17	—	—
	600	30	TO-247	RURG3060-ND	2.37	21.42	172.13	—	—
	600	50	TO-247	RURG5060-ND	3.40	30.28	248.32	—	—
	600	80	TO-247	RURG8060-ND	5.00	44.64	366.05	—	—
	1,000	80	TO-247	RURG80100-ND	4.90	43.72	358.48	—	—
	1,200	30	TO-247	RHRG30120-ND	2.50	22.31	182.98	—	—
	1,200	75	TO-247	RHRG75120-ND	4.59	40.98	336.07	—	—

Fig.	Max. Reverse Voltage (V)	Max. Average Rectified Current (A)	Package	Digi-Key Part No.	Cut Tape Pricing			Tape and Reel\$	
					1	10	100	Qty.	Pricing
4	30	0.2	SOT-23	BAR43CT-ND	.34	2.27	10.71	3,000	31.40/M
	30	0.2	SOT-23	BAR43CT-ND	.37	2.51	11.83	3,000	34.70/M
	30	0.2	SOT-23	BAR43SCT-ND	.37	2.51	11.83	3,000	34.75/M
	30	0.2	SOT-23	BAT54FSCT-ND	.40	2.60	11.32	3,000	30.57/M
	30	0.2	SOT-23	BAT54CFSC-ND	.40	2.60	11.32	3,000	30.57/M
	30	0.2	SOT-23	BAT54AFSC-ND	.37	2.45	10.66	3,000	28.92/M
	30	0.2	SOT-23	BAT54FSCT-ND	.33	2.15	9.33	3,000	25.61/M
	40	0.75	SOT-23	FYV0704SMTFCT-ND	.38	2.99	20.46	3,000	86.74/M
	50	0.2	SOT-23	BAV74FSC-ND	.40	2.60	11.32	3,000	30.56/M
	70	0.2	SOT-23	BAV70FSC-ND	.40	2.60	11.32	3,000	30.56/M
	70	0.2	SOT-23	BAV99FSC-ND	.40	2.64	11.48	3,000	31.40/M
	70	0.2	SOT-323	BAV99WT1GFSC-ND	.36	2.43	11.43	3,000	33.87/M
85	0.2	SOT-23	BAS16FSC-ND	.36	2.32	10.08	3,000	27.26/M	
85	0.2	SOT-23	BAW56FSC-ND	.40	2.64	11.48	3,000	31.01/M	
100	0.2	SOT-23	MMD1201CT-ND	.38	2.51	10.90	3,000	29.74/M	
100	0.2	SOT-23	MMD1203CT-ND	.31	2.13	10.05	3,000	29.51/M	
100	0.2	SOT-23	MMD1204CT-ND	.34	2.27	10.71	3,000	31.45/M	
100	0.2	SOT-23	MMD1205CT-ND	.33	2.23	10.51	3,000	30.57/M	
100	0.2	SOT-23	MMD4148CCCT-ND	.36	2.40	11.30	3,000	33.05/M	
100	0.2	SOT-23	MMD4148FSC-ND	.36	2.40	10.41	3,000	28.09/M	
100	0.2	SOT-23	MMD4148SECT-ND	.36	2.40	11.30	3,000	33.05/M	
100	0.2	SOT-23	MMD7000FSC-ND	.31	2.11	9.91	3,000	29.12/M	
100	0.2	SOT-23	MMD914FSC-ND	.36	2.41	10.49	3,000	28.09/M	
100	0.25	TO-236AB	FLD261FSC-ND	.45	3.01	14.14	3,000	41.31/M	
120	0.2	SOT-23	BAS31FSC-ND	.40	2.64	11.48	3,000	31.01/M	
200	0.2	SOT-23	MMD1403CT-ND	.34	2.30	10.84	3,000	31.84/M	
200	0.2	SOT-23	MMD1501ACT-ND	.41	2.70	11.73	3,000	31.40/M	
200	0.2	SOT-23	MMD1503ACT-ND	.38	2.57	12.09	3,000	35.53/M	
200	0.2	SOT-23	MMD1504ACT-ND	.38	2.57	12.09	3,000	35.53/M	
200	0.2	SOT-23	MMD1505ACT-ND	.38	2.57	12.09	3,000	35.53/M	
250	0.2	SOT-23	BAS21FSC-ND	.36	2.41	10.49	3,000	28.33/M	
250	0.2	SOT-23	BAV23FSC-ND	.36	2.40	11.30	3,000	33.20/M	
20	0.5	SOD-123	MBR0520LCT-ND	.50	3.40	15.99	3,000	46.98/M	
20	1	SMA	SS12FSC-ND	.46	3.25	21.69	7,500	73.53/M	
30	0.5	SOD-123	MBR0530CT-ND	.50	3.40	15.99	3,000	47.09/M	
30	2	SMB	SS23CT-ND	.46	3.61	24.71	3,000	104.92/M	
40	1	SMA	SS14CT-ND	.48	3.39	22.55	7,500	76.83/M	
40	1	SMB	MBRS140FSC-ND	.43	3.36	23.01	3,000	97.48/M	
40	2	SMB	SS24FSC-ND	.46	3.61	24.71	3,000	104.92/M	
40	3	SMB	SS34FSC-ND	.54	4.31	32.36	3,000	152.01/M	
40	4	SMC	MBRS340FSC-ND	.59	4.77	35.79	3,000	168.53/M	
50	1	SMA	S1AFSC-ND	.44	2.95	13.88	7,500	34.70/M	
50	3	SMC	S3AFSC-ND	.37	3.61	24.71	3,000	104.92/M	
60	1	SMA	SS16FSC-ND	.40	3.11	21.33	7,500	85.09/M	
60	2	SMB	SS26FSC-ND	.51	4.06	27.74	3,000	117.31/M	
100	1	SMA	S1BFSC-ND	.44	2.95	13.88	7,500	34.70/M	
100	1	SMA	EGF1BCT-ND	.45	3.56	24.35	7,500	96.66/M	
100	1	SMA	S100CT-ND	.44	3.53	26.44	7,500	116.48/M	
100	3	SMC	S3BFSC-ND	.37	3.91	19.88	3,000	84.27/M	
100	3	SMC	ES3BFSC-ND	.51	4.06	27.74	3,000	117.31/M	
100	1	SMA	ES1DFSC-ND	.45	3.16	18.98	7,500	57.01/M	
200	2	SMB	ES2DFSC-ND	.51	3.63	24.16	3,000	86.74/M	
200	3	SMC	ES3DFSC-ND	.51	4.06	27.74	3,000	117.31/M	
200	3	SMC	S3DFSC-ND	.37	2.91	19.88	3,000	84.27/M	
300	1	SMA	ES1FCT-ND	.45	3.16	18.98	7,500	57.01/M	
400	1	SMA	RS1GFSC-ND	.37	2.64	15.86	7,500	47.92/M	
400	1	SMA	S1GFSC-ND	.44	2.95	13.88	7,500	34.70/M	
400	1	SMA	ES1GFSC-ND	.46	3.28	19.68	7,500	58.66/M	
400	3	SMC	S3GFSC-ND	.37	2.91	19.88	3,000	84.27/M	
500	1	SMA	ES1HCT-ND	.46	3.28	19.68	7,500	58.66/M	
600	1	SMA	ES1JFSC-ND	.46	3.28	19.68	7,500	58.66/M	
600	1	SMA							