

AMP CT 2.0mm Connector Series

The AMP CT connectors are a miniature wire-to-board and wire-to-wire interconnect solution. The Amp CT connector series has proven performance in its harness making capability. Two types of housings are available, including Crimp and Mass Terminated (MT), which are preloaded with insulation displacement contacts. The box or shrouded headers are highly resistant to scooping at mating/unmating.

Features: • 2 kinds of termination method: IDC and Crimp • Discrete wire interconnect • AWG 22-30 • Recognized under the component program of Underwriters Laboratories Inc., File No. E28476 • Certified by Canadian Standards Association, File No., LR 7189-133

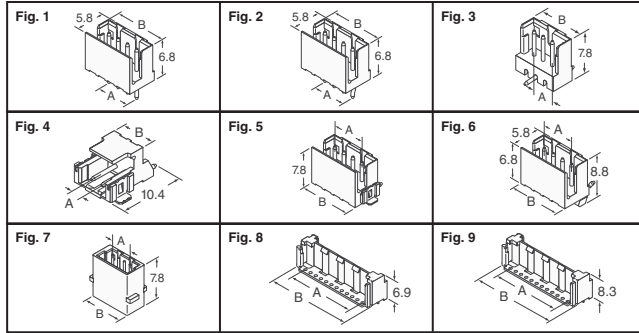


Fig.	No. of Pos.	Dimensions – mm		Digi-Key Part No.	Price Each			Tape and Reel†	AMP Part No.	
					1	25	50	Qty.	Pricing	
Vertical Through Hole										
1	2	2.0	5.8	A100944-ND	.38	.35	.31	—	292133-2	
	3	4.0	7.8	A100945-ND	.29	.26	.23	—	292133-3	
	4	6.0	9.8	A100946-ND	.32	.30	.26	—	292133-4	
	5	8.0	11.8	A100947-ND	.33	.30	.27	—	292133-5	
	6	10.0	13.8	A100948-ND	.33	.30	.27	—	292133-6	
	7	12.0	15.8	A100949-ND	.54	.49	.44	—	292133-7	
2	8	14.0	17.8	A100950-ND	.65	.59	.52	—	292133-8	
	12	22.0	25.8	A100951-ND	.72	.65	.58	—	1-292133-2	
	14	26.0	29.8	A100952-ND	1.07	.97	.86	—	1-292133-4	
	2	2.0	5.8	A100997-ND	.50	.45	.40	—	292134-2	
	3	4.0	7.8	A100998-ND	.55	.50	.45	—	292134-3	
	4	6.0	9.8	A100999-ND	1.25	1.13	1.00	—	292134-4	
3	5	8.0	11.8	A101000-ND	1.35	1.22	1.08	—	292134-5	
	6	10.0	13.8	A101001-ND	1.25	1.13	1.00	—	292134-6	
	9	16.0	19.8	A101002-ND	1.80	1.63	1.45	—	292134-9	
	10	18.0	21.8	A101003-ND	2.54	2.29	2.03	—	1-292134-0	
	15	28.0	31.8	A101004-ND	2.83	2.56	2.27	—	1-292134-5	
	Vertical SMT									
3	2	2.0	6.0	A100990-ND	.41	.37	.33	—	292172-2	
	3	4.0	8.0	A100991-ND	.60	.55	.49	—	292172-3	
	4	6.0	10.0	A100992-ND	.76	.69	.61	—	292172-4	
	5	8.0	12.0	A100993-ND	.88	.80	.71	—	292172-5	
	6	10.0	14.0	A100994-ND	1.18	1.06	.95	—	292172-6	
	7	16.0	12.0	A100995-ND	1.00	.91	.81	—	292172-7	
4	8	18.0	14.0	A100996-ND	2.40	2.17	1.93	—	292172-8	
	Right Angle SMT									
	4	2	2.0	5.8	A100981CT-ND†	.86	.78	.70	500	259.72 2-292173-2
		3	4.0	7.8	A100982CT-ND†	.96	.87	.78	500	288.83 2-292173-3
		4	6.0	9.8	A100983CT-ND†	.77	.69	.62	500	229.55 2-292173-4
		5	8.0	11.8	A100984CT-ND†	.87	.79	.70	500	260.90 2-292173-5
6		10.0	13.8	A100985CT-ND†	1.28	1.16	1.03	500	384.88 2-292173-6	
7		12.0	15.8	A100986CT-ND†	1.42	1.28	1.14	500	425.90 2-292173-7	
5	8	14.0	17.8	A100987CT-ND†	1.23	1.12	.99	500	370.16 2-292173-8	
	Right Angle Through Hole									
	5	2	2.0	5.8	A100988CT-ND†	.79	.72	.64	700	332.00 2-292175-2
		4	6.0	9.8	A100989CT-ND†	1.21	1.09	.97	700	508.29 2-292175-4
		6	2.0	5.8	A101005-ND	.50	.46	.41	—	176394-2

† Cut Tape ‡ For Tape and Reel part number, change CT-ND to TR-ND.

Fig.	No. of Position	Dimensions – mm		Digi-Key Part No.	Price Each			AMP Part No.
					1	25	50	
Free Hanging								
7	2	2.0	7.8	A100970-ND	.28	.26	.23	292156-2
	3	4.0	9.8	A100971-ND	.33	.30	.27	292156-3
	4	6.0	11.8	A100972-ND	.50	.45	.40	292156-4
	5	8.0	13.8	A100973-ND	.54	.49	.43	292156-5
	6	10.0	15.8	A100974-ND	.67	.61	.55	292156-6

Description	Digi-Key Part No.	Cut Tape Price Each			Tape and Reel†		AMP Part No.
		1	25	50	Qty.	Pricing	
Crimp Receptacle Connector							
2 mm Pitch, 22-26AWG	A100943CT-ND	.26	.23	.20	10,000	143.14/M	179227-4

† For Tape and Reel part number, change CT-ND to TR-ND.

Fig.	No. of Position	Dimensions – mm		Digi-Key Part No.	Price Each			AMP Part No.
					1	25	50	
MT Holder for CT Double Row Connectors								
8	16	14.0	20.3	A100953-ND	.58	.53	.47	1-179608-6
	18	16.0	22.3	A100954-ND	.29	.26	.23	1-179608-8
	20	18.0	24.3	A100955-ND	.19	.18	.16	2-179608-0
	22	20.0	26.3	A101006-ND	.28	.26	.23	2-179608-2
	24	22.0	28.3	A100956-ND	.33	.30	.27	2-179608-4
	26	24.0	30.3	A100957-ND	.30	.27	.24	2-179608-6
	28	26.0	32.3	A100958-ND	.26	.24	.21	2-179608-8
	30	28.0	34.3	A100959-ND	.33	.30	.27	3-179608-0

Fig.	No. of Position	Dimensions – mm		Digi-Key Part No.	Price Each			AMP Part No.
					1	25	50	
CT Holder for CT Double Row Connectors								
9	8	6.0	12.3	A100960-ND	.30	.27	.24	179472-8
	12	10.0	16.3	A100961-ND	.16	.15	.13	1-179472-2
	16	14.0	20.3	A100962-ND	.50	.45	.40	1-179472-6
	18	16.0	22.3	A100963-ND	.30	.28	.25	1-179472-8
	20	18.0	24.3	A100964-ND	.36	.33	.29	2-179472-0
	22	20.0	26.3	A100965-ND	.39	.36	.32	2-179472-2
	24	22.0	28.3	A100966-ND	.42	.39	.35	2-179472-4
	26	24.0	30.3	A100967-ND	.46	.42	.38	2-179472-6
	28	26.0	32.3	A100968-ND	.79	.72	.64	2-179472-8
	30	28.0	34.3	A100969-ND	.54	.49	.44	3-179472-0

AMP EP 2.5mm Shrouded Headers

EP 2.5 is a smaller centerline extension to our EP product line featuring fully shrouded headers and lance-less contacts. EP 2.5 meets a growing market requirement for a positive external latch on a 2.5mm centerline.

Features: • **Plug Housing:** Nylon, UL94V0, natural • **Contacts:** 22-26 AWG Wire • 1.3mm – 1.7mm Insulation Diameter • 3A Current Rating • Phosphor bronze • Tin plated • Lubed to prevent fretting corrosion • **Through-hole Vertical Shrouded Headers:** Pins: Copper alloy, tin plated • **Housings:** Nylon UL94V-0, natural

Applications: • Appliance Industry: Cooking, Refrigeration, and Dishwashers • Garage Door Openers • HVAC Controls and Thermostats • Lighting

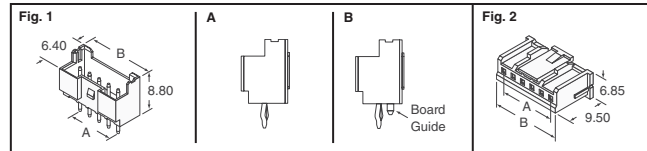


Fig.	No. of Positions	Dimensions – mm		Digi-Key Part No.	Pricing			AMP Part No.	
					1	25	50		
Vertical Header									
1A	2	2.5	7.5	A101065-ND	.10	2.24	3.99	2132415-2	
	3	5.0	10.0	A101066-ND	.11	2.44	4.34	2132415-3	
	4	7.5	12.5	A101067-ND	.12	2.64	4.70	2132415-4	
	5	10.0	15.0	A101068-ND	.18	3.99	7.09	2132415-5	
	6	12.5	17.5	A101069-ND	.19	4.32	7.69	2132415-6	
	7	15.0	20.0	A101070-ND	.22	5.02	8.92	2132415-7	
	8	17.5	22.5	A101071-ND	.23	5.25	9.33	2132415-8	
	9	20.0	25.0	A101072-ND	.26	5.69	10.11	2132415-9	
	10	22.5	27.5	A101073-ND	.32	7.16	12.72	1-2132415-0	
	11	25.0	30.0	A101074-ND	.33	7.41	13.17	1-2132415-1	
	12	27.5	32.5	A101075-ND	.36	8.17	14.53	1-2132415-2	
	13	30.0	35.0	A101076-ND	.38	8.67	15.42	1-2132415-3	
	14	32.5	37.5	A101077-ND	.41	9.19	16.33	1-2132415-4	
	15	35.0	40.0	A101078-ND	.43	9.71	17.27	1-2132415-5	
	17	40.0	45.0	A101080-ND	.48	10.84	19.28	1-2132415-7	
	18	42.5	47.5	A101081-ND	.50	11.41	20.29	1-2132415-8	
	19	45.0	50.0	A101082-ND	.52	11.72	20.85	1-2132415-9	
	20	47.5	52.5	A101083-ND	.54	12.04	21.41	2-2132415-0	
	1B	2	2.5	7.5	A101084-ND	.08	1.89	3.36	2132230-2
		3	5.0	10.0	A101085-ND	.09	2.06	3.65	2132230-3
4		7.5	12.5	A101086-ND	.12	2.64	4.70	2132230-4	
5		10.0	15.0	A101087-ND	.15	3.36	5.97	2132230-5	
6		12.5	17.5	A101088-ND	.19	4.32	7.69	2132230-6	
7		15.0	20.0	A101089-ND	.22	5.02	8.92	2132230-7	
8		17.5	22.5	A101090-ND	.23	5.25	9.33	2132230-8	
9		20.0	25.0	A101091-ND	.26	5.69	10.11	2132230-9	
10		22.5	27.5	A101092-ND	.32	7.16	12.72	1-2132230-0	
11		25.0	30.0	A101093-ND	.33	7.41	13.17	1-2132230-1	
12		27.5	32.5	A101094-ND	.36	8.17	14.53	1-2132230-2	
13		30.0	35.0	A101095-ND	.38	8.67	15.42	1-2132230-3	
14		32.5	37.5	A101096-ND	.41	9.19	16.33	1-2132230-4	
15		35.0	40.0	A101097-ND	.43	9.71	17.27	1-2132230-5	
16		37.5	42.5	A101098-ND	.46	10.28	18.27	1-2132230-6	
17		40.0	45.0	A101099-ND	.46	10.31	18.34	1-2132230-7	
18		42.5	47.5	A101100-ND	.50	11.41	20.29	1-2132230-8	
19		45.0	50.0	A101101-ND	.50	11.16	19.83	1-2132230-9	
20		47.5	52.5	A101102-ND	.51	11.46	20.36	2-2132230-0	
Receptacle Housing									
2	2	2.5	5.64	A101103-ND	.04	.87	1.55	2110992-2	
	3	5.0	8.14	A101104-ND	.04	.90	1.59	2110992-3	
	4	7.5	10.64	A101105-ND	.04	.92	1.63	2110992-4	
	5	10.0	13.14	A101106-ND	.04	.94	1.68	2110992-5	
	6	12.5	15.64	A101107-ND	.05	1.11	1.98	2110992-6	
	7	15.0	18.14	A101108-ND	.07	1.54	2.74	2110992-7	
	8	17.5	20.64	A101109-ND	.09	1.90	3.38	2110992-8	
	9	20.0	23.14	A101110-ND	.09	2.00	3.56	2110992-9	
	10	22.5	25.64	A101111-ND	.10	2.08	3.70	1-2110992-0	
	11	25.0	28.14	A101112-ND	.10	2.31	4.12	1-2110992-1	
	12	27.5	30.64	A101113-ND	.				