

AMP Mini CT 1.5mm Connectors (Cont.)

A

Fig.	Color	No. of Pos.	Dimensions – mm		Digi-Key Part No.	Price Each			AMP Part No.
			A	B		1	25	50	
Dual Row Right Angle Through Hole									
10	Gray	22	15.0	22.0	A100975-ND	8.95	8.06	7.17	2-292262-2
	Gray	24	16.5	23.5	A100976-ND	8.53	7.68	6.83	2-292262-4
	Gray	26	18.0	25.0	A100977-ND	5.00	4.50	4.00	2-292262-6
	Gray	30	21.0	28.0	A100978-ND	7.63	6.87	6.11	3-292262-0
	Gray	32	22.5	29.5	A100979-ND	4.48	4.03	3.59	3-292262-2
	Gray	34	24.0	31.0	A100980-ND	7.86	7.08	6.30	3-292262-4

Fig.	Color	No. of Pos.	Dim. – mm		Digi-Key Part No.	Cut Tape Price Each			Tape and Reel†		AMP Part No.
			A	B		1	25	50	Qty.	Pricing	
Right Angle SMT Header											
11	Beige	2	1.5	9.5	A101007CT-ND	.50	.46	.41	700	213.48	292228-2
	Beige	3	3.0	11.0	A101008CT-ND	1.57	1.42	1.26	700	658.72	292228-3
	Beige	4	4.5	12.5	A101009CT-ND	.49	.45	.40	700	206.07	292228-4
	Beige	5	6.0	14.0	A101010CT-ND	.61	.55	.49	700	255.41	292228-5
	Beige	6	7.5	15.5	A101011CT-ND	.52	.47	.42	700	217.80	292228-6
	Beige	7	9.0	17.0	A101012CT-ND	.70	.64	.57	700	297.39	292228-7
	Beige	8	10.5	18.5	A101013CT-ND	.55	.50	.45	700	233.17	292228-8
	Beige	9	12.0	20.0	A101014CT-ND	.73	.66	.59	700	305.63	292228-9
	Beige	10	13.5	21.5	A101015CT-ND	.78	.71	.63	700	328.40	1-292228-0
	Beige	11	15.0	23.0	A101016CT-ND	.65	.59	.53	700	273.88	1-292228-1
	Beige	12	16.5	24.5	A101017CT-ND	1.95	1.76	1.57	700	820.94	1-292228-2
	Beige	13	18.0	26.0	A101018CT-ND	.55	.50	.45	700	232.22	1-292228-3
	Beige	14	19.5	27.5	A101019CT-ND	.82	.74	.66	700	341.69	1-292228-4
	Beige	15	21.0	29.0	A101020CT-ND	.84	.76	.68	700	352.54	1-292228-5
	Beige	16	22.5	30.5	A101021CT-ND	.54	.49	.44	1,400	323.88/M	1-292228-6
	Beige	17	24.0	32.0	A101022CT-ND	.70	.64	.57	700	296.82	1-292228-7
	Beige	18	25.5	33.5	A101023CT-ND	.54	.50	.44	1,400	328.46/M	1-292228-8
	Beige	19	27.0	35.0	A101024CT-ND	.58	.53	.47	1,400	347.55/M	1-292228-9

Description	Digi-Key Part No.	Cut Tape Pricing			Tape and Reel† Pricing		AMP Part No.
		100	500	1,000	15,000	30,000	
Crimp Receptacle Contact							
Receptacle Contact, 24 – 28AWG	A99378CT-ND	3.57	16.35	29.73	16.06/M	353907-1	
Tools							
Pistol Grip for Mini CT IDC Connectors	A98810-ND	2007.09/1		—	—	937317-1	
Short Handle for Mini CT Crimp Connectors	A99879-ND	850.26/1		—	—	1729069-1	

† For Tape and Reel part number, change CT-ND to TR-ND. **Note:** Two receptacle connectors are applied per holder.

AMP 1.5mm HPI Connectors

Features: • Standard terminal design compatible with general market discrete wire-to-board products
• Small pitch discrete wire interconnect
Applications: • Business equipment • Industrial machines • Wire-to-board applications • Plasma display panels • LCD monitor • LED equipment • Small electronics equipment • Anywhere where signals or power are routed

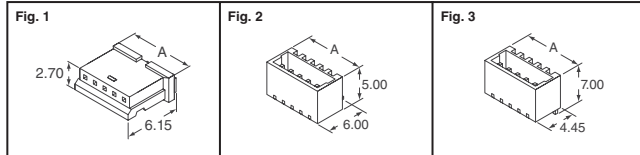


Fig.	No. of Pos.	Dimension A (mm)	Digi-Key Part No.	Pricing			Tape and Reel†		AMP Part No.
				1	25	50	Qty.	Pricing	
Receptacle Housing									
1	2	4.10	A99968-ND	.06	1.30	2.16	—	—	1-1775441-2
	3	5.60	A99969-ND	.06	1.43	2.38	—	—	1-1775441-3
	4	7.10	A99970-ND	.08	1.83	3.04	—	—	1-1775441-4
	5	8.60	A99971-ND	.09	1.91	3.18	—	—	1-1775441-5
	6	10.10	A99972-ND	.10	2.24	3.74	—	—	1-1775441-6
	7	11.60	A99973-ND	.12	2.66	4.44	—	—	1-1775441-7
	8	13.10	A99974-ND	.12	2.67	4.45	—	—	1-1775441-8
	9	14.60	A99975-ND	.12	2.68	4.47	—	—	1-1775441-9
	10	16.10	A99976-ND	.14	3.16	5.27	—	—	1-1775441-0
	11	17.60	A99977-ND	.14	3.33	5.56	—	—	1-1775441-1
	12	19.10	A99978-ND	.15	3.53	5.89	—	—	1-1775441-2
	13	20.60	A99979-ND	.22	5.04	8.39	—	—	1-1775441-3
	14	22.10	A99980-ND	.22	5.05	8.42	—	—	1-1775441-4
	15	23.60	A99981-ND	.22	5.06	8.43	—	—	1-1775441-5
	Vertical SMT Header								
2	2	4.50	A99982CT-ND‡	.25	5.66	10.06	800	113.99	5-1775443-2
	3	6.00	A99983CT-ND‡	.34	7.49	13.30	800	150.78	5-1775443-3
	4	7.50	A99984CT-ND‡	.40	9.02	16.03	800	181.72	5-1775443-4
	5	9.00	A99985CT-ND‡	.48	10.75	19.11	800	216.51	5-1775443-5
	6	10.50	A99986CT-ND‡	.57	12.84	22.82	800	258.66	5-1775443-6
	7	12.00	A99987CT-ND‡	.66	14.80	26.31	800	298.11	5-1775443-7
	8	13.50	A99988CT-ND‡	.72	16.14	28.68	800	325.05	5-1775443-8

Fig.	No. of Pos.	Dimension A (mm)	Digi-Key Part No.	Pricing			Tape and Reel†		AMP Part No.
				1	25	50	Qty.	Pricing	
2	9	15.00	A99989CT-ND‡	.78	17.47	31.05	800	351.84	5-1775443-9
	10	16.50	A99990CT-ND‡	.89	19.92	35.41	800	401.32	6-1775443-0
	11	18.00	A99991CT-ND‡	1.13	25.47	45.27	800	513.02	6-1775443-1
	12	19.50	A99992CT-ND‡	1.20	27.08	48.14	800	545.59	6-1775443-2
	13	21.00	A99993CT-ND‡	1.35	30.44	54.12	800	613.35	6-1775443-3
	14	22.50	A99994CT-ND‡	1.43	32.02	56.91	800	645.02	6-1775443-4
15	24.00	A99995CT-ND‡	1.49	33.46	59.48	800	674.07	6-1775443-5	

Fig.	No. of Pos.	Dimension A (mm)	Digi-Key Part No.	Pricing			Tape and Reel†		AMP Part No.
				1	25	50	Qty.	Pricing	
Right Angle SMT Header									
3	2	4.50	A99996CT-ND‡	.21	4.67	8.30	1,000	117.51	5-1775444-2
	3	6.00	A99997CT-ND‡	.26	5.85	10.40	1,000	147.36	5-1775444-3
	4	7.50	A99998CT-ND‡	.31	7.10	12.60	1,000	178.59	5-1775444-4
	5	9.00	A99999CT-ND‡	.38	8.41	14.94	1,000	211.72	5-1775444-5
	6	10.50	A100000CT-ND‡	.45	10.03	17.84	1,000	252.74	5-1775444-6
	7	12.00	A100001CT-ND‡	.51	11.61	20.64	1,000	292.38	5-1775444-7
	8	13.50	A100002CT-ND‡	.56	12.63	22.45	1,000	318.03	5-1775444-8
	9	15.00	A100003CT-ND‡	.61	13.63	24.22	1,000	343.21	5-1775444-9
	10	16.50	A100004CT-ND‡	.75	17.00	30.22	1,000	428.11	6-1775444-0
	11	18.00	A100005CT-ND‡	.94	20.99	37.32	1,000	528.67	6-1775444-1
	12	19.50	A100006CT-ND‡	90	20.21	35.93	1,000	509.04	6-1775444-2
	13	21.00	A100007CT-ND‡	1.02	22.88	40.67	1,000	576.22	6-1775444-3
	14	22.50	A100008CT-ND‡	1.07	23.99	42.65	1,000	604.23	6-1775444-4
	15	24.00	A100009CT-ND‡	1.11	25.08	44.59	1,000	631.71	6-1775444-5

Description	Wire Range	Digi-Key Part No.	Cut Tape Pricing			Tape and Reel†		AMP Part No.
			100	500	1,000	Qty.	Pricing	
1.5mm HPI Contact								
Receptacle	24 – 30 AWG	A99967CT-ND	1.43	6.57	11.93	15,000	6.45/M	1775442-1

† For Tape and Reel part number, change CT-ND to TR-ND. ‡ Cut Tape

AMP CT 2.0mm Connectors

Features: • Ensures substantial labor saving as well as improved quality and stability in harness assembly • Both MT receptacle connectors and crimp-type receptacle connectors can share the same post holders when mated • 1-row and 2-row types • Discrete wire interconnect • IDC receptacle contacts in MT (Mass Termination) housings • AWG: 22 – 30 • Pitch: 2.0mm
Applications: • Business equipment • Industrial machines • Anywhere where routing signals or power are present • Wire-to-board applications

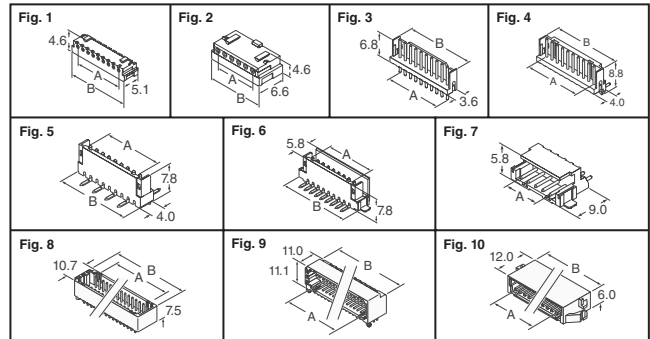


Fig.	Color	No. of Positions	Dimensions – mm		Digi-Key Part No.	Pricing			AMP Part No.
			A	B		1	25	100	
IDC Receptacle Assembly, 26 – 28 AWG									
1	Natural	2	2.0	6.0	A98800-ND	.12	2.78	7.87	173977-2
	Natural	3	4.0	8.0	A98801-ND	.16	3.61	10.24	173977-3
	Natural	4	6.0	10.0	A98802-ND	.23	5.17	14.65	173977-4
	Natural	5	8.0	12.0	A98803-ND	.37	8.34	23.64	173977-5
	Natural	6	10.0	14.0	A98804-ND	.42	9.69	27.46	173977-6
	Natural	7	12.0	16.0	A98805-ND	.30	6.85	19.39	173977-7
	Natural	8	14.0	18.0	A98616-ND	.53	11.93	33.82	173977-8
	Natural	9	16.0	20.0	A98617-ND	.62	13.97	39.57	173977-9
	Natural	10	18.0	22.0	A98618-ND	.54	12.22	34.63	1-173977-0
	Natural	11	20.0	24.0	A98806-ND	.72	16.31	46.22	1-173977-1
	Natural	12	22.0	26.0	A98807-ND	.73	16.47	46.67	1-173977-2
	Natural	13	24.0	28.0	A98619-ND	.74	16.94	47.99	1-173977-3
	Natural	14	26.0	30.0	A98620-ND	.46	10.60	30.03	1-173977-4
	Natural	15	28.0	32.0	A98621-ND	.59	13.49	38.23	1-173977-5
	Crimp Type II Single Row Receptacle Housing Contact								
2	Natural	2	2.0	6.0	A98602-ND	.10	2.15	6.08	179228-2
	Natural	3	4.0	8.0	A98603-ND	.14	3.33	9.43	179228-3
	Natural	4	6.0	10.0	A98604-ND	.14	3.20	9.08	179228-4
	Natural	5	8.0	12.0	A98605-ND	.14	3.23	9.15	179228-5
	Natural	6	10.0	14.0	A98606-ND	.16	3.62	10.26	179228-6
	Natural	7	12.0	16.0	A98607-ND				