

Dimensions in mm

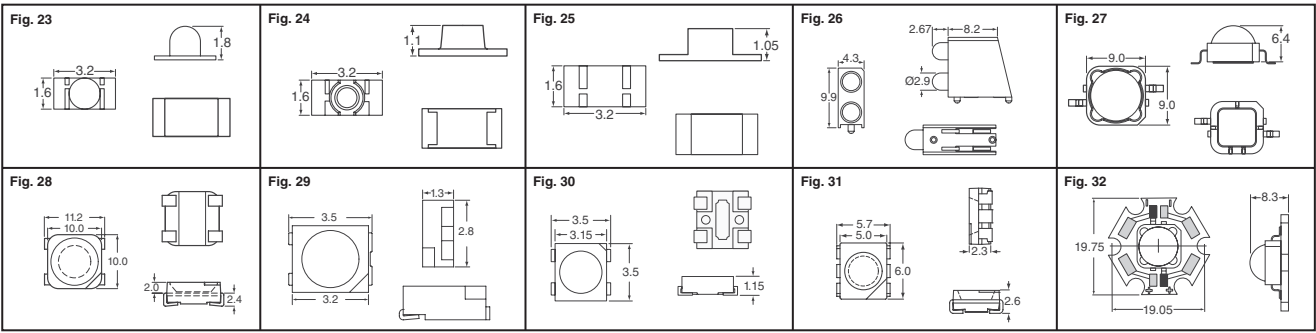


Fig.	Description	Emitted Color	Lens	Dominant Wavelength (nm)	Vf Typ. (V)	If Max. (mA)	Iv (mcd) @ 20mA	Viewing Angle (2x Theta)	Digi-Key Part No.	Cut Tape Pricing			Tape and Reel		Kingbright Part No.	
										1	25	Digi-Key Part No.	Qty.	Pricing		
22	1.6 x 1.5mm	Green/HE Red	Water Clear	568/625	2.2/2.0	25/30	12/12	120°	754-1149-1-ND	25	1.83	3.66	754-1149-2-ND	2,000	73.53/M	APTB1615ESGC-F01
	1.6 x 1.5mm	Green/Yellow	Water Clear	570/590	2.1/2.0	30/30	50/150	120°	754-1150-1-ND	27	2.02	4.03	754-1150-2-ND	2,000	80.96/M	APTB1615SYKGC-F01
	1.6 x 1.5mm	Green/Yellow	Water Clear	568/588	2.2/2.1	25/30	12/8	120°	754-1151-1-ND	25	1.83	3.66	754-1151-2-ND	2,000	73.53/M	APTB1615SYGCG-F01
23	3.2 x 1.6mm	Green	Water Clear	570	2.1	30	200	50°	754-1152-1-ND	25	1.83	3.66	754-1152-2-ND	2,000	73.53/M	APTD3216CGCK
	3.2 x 1.6mm	HE Red	Water Clear	625	2.0	30	50	40°	754-1153-1-ND	19	1.43	2.85	754-1153-2-ND	2,000	57.00/M	APTD3216EC
	3.2 x 1.6mm	Mega Green	Water Clear	570	2.1	30	350	50°	754-1154-1-ND	64	4.83	9.67	754-1154-2-ND	2,000	193.31/M	APTD3216MGC
	3.2 x 1.6mm	Blue	Water Clear	470	3.2	30	220	50°	754-1155-1-ND	46	3.44	6.88	754-1155-2-ND	2,000	137.96/M	APTD3216PBC/A
	3.2 x 1.6mm	Blue	Water Clear	470	3.3	30	500	40°	754-1442-1-ND	40	3.04	6.07	754-1442-2-ND	2,000	121.44/M	APTD3216OBC/D
	3.2 x 1.6mm	Super Orange	Water Clear	601	2.1	30	700	50°	754-1156-1-ND	23	1.70	3.41	754-1156-2-ND	2,000	68.57/M	APTD3216SECK
	3.2 x 1.6mm	Super Green	Water Clear	568	2.2	25	50	40°	754-1157-1-ND	19	1.43	2.85	754-1157-2-ND	2,000	57.00/M	APTD3216SGC
	3.2 x 1.6mm	Super Red	Water Clear	640	1.85	30	300	50°	754-1158-1-ND	19	1.43	2.85	754-1158-2-ND	2,000	57.00/M	APTD3216SRCPRV
	3.2 x 1.6mm	Hyper Red	Water Clear	630	1.95	30	500	50°	754-1159-1-ND	23	1.70	3.41	754-1159-2-ND	2,000	68.57/M	APTD3216SURCK
	3.2 x 1.6mm	Super Yellow	Water Clear	590	2.1	30	250	50°	754-1160-1-ND	23	1.70	3.41	754-1160-2-ND	2,000	68.57/M	APTD3216SYCK
	3.2 x 1.6mm	Yellow	Water Clear	588	2.1	30	30	40°	754-1161-1-ND	19	1.43	2.85	754-1161-2-ND	2,000	57.00/M	APTD3216YCK
	3.2 x 1.6mm	Green	Water Clear	525	3.3	25	850	50°	754-1444-1-ND	54	4.03	8.05	754-1444-2-ND	2,000	161.09/M	APTD3216ZGC
24	3.2 x 1.6mm	Green	Water Clear	570	2.1	30	200	70°	754-1162-1-ND	17	1.31	2.60	754-1162-2-ND	2,000	52.05/M	APTL3216CGCK
	3.2 x 1.6mm	Blue	Water Clear	470	3.2	30	200	70°	754-1163-1-ND	43	3.22	6.44	754-1163-2-ND	2,000	128.87/M	APTL3216PBC/A
	3.2 x 1.6mm	Blue	Water Clear	470	3.3	30	340	70°	754-1445-1-ND	36	2.64	5.27	754-1445-2-ND	2,000	105.33/M	APTL3216OBC/D
	3.2 x 1.6mm	Super Orange	Water Clear	601	2.1	30	550	70°	754-1164-1-ND	16	1.18	2.35	754-1164-2-ND	2,000	47.09/M	APTL3216SECK
	3.2 x 1.6mm	Hyper Red	Water Clear	630	1.95	30	550	70°	754-1165-1-ND	16	1.18	2.35	754-1165-2-ND	2,000	47.09/M	APTL3216SURCK
	3.2 x 1.6mm	Super Yellow	Water Clear	590	2.0	30	350	70°	754-1166-1-ND	16	1.18	2.35	754-1166-2-ND	2,000	47.09/M	APTL3216SYCK
25	3.2 x 1.6mm	Green	Water Clear	570	2.1	30	40	120°	754-1167-1-ND	17	1.31	2.60	754-1167-2-ND	2,000	52.05/M	APTR3216CGCK
	3.2 x 1.6mm	HE Red	Water Clear	625	2.0	30	12	120°	754-1168-1-ND	14	1.02	2.05	754-1168-2-ND	2,000	41.31/M	APTR3216EC
	3.2 x 1.6mm	Blue	Water Clear	470	3.2	30	60	120°	754-1169-1-ND	46	3.44	6.88	754-1169-2-ND	2,000	137.96/M	APTR3216PBC/A
	3.2 x 1.6mm	Blue	Water Clear	470	3.3	30	100	120°	754-1447-1-ND	36	2.64	5.27	754-1447-2-ND	2,000	105.33/M	APTR3216OBC/D
	3.2 x 1.6mm	Super Green	Water Clear	568	2.2	25	15	120°	754-1171-1-ND	13	0.96	1.92	754-1171-2-ND	2,000	38.83/M	APTR3216SGC
	3.2 x 1.6mm	Super Red	Water Clear	640	1.85	30	80	120°	754-1172-1-ND	15	1.08	2.17	754-1172-2-ND	2,000	43.79/M	APTR3216SRCPRV
	3.2 x 1.6mm	Hyper Red	Water Clear	630	1.95	30	150	120°	754-1173-1-ND	15	1.08	2.17	754-1173-2-ND	2,000	43.79/M	APTR3216SURCK
	3.2 x 1.6mm	Yellow	Water Clear	588	2.1	30	8	120°	754-1175-1-ND	14	1.02	2.05	754-1175-2-ND	2,000	41.31/M	APTR3216YCK
	3.2 x 1.6mm	Super Yellow	Water Clear	590	2.0	30	120	120°	754-1174-1-ND	15	1.08	2.17	754-1174-2-ND	2,000	43.79/M	APTR3216SYCK
	3.2 x 1.6mm	Green	Water Clear	525	3.3	25	300	120°	754-1448-1-ND	59	4.43	8.86	754-1448-2-ND	2,000	177.20/M	APTR3216ZGC
	Circuit Board Indicators															
	26	3mm	HE Red	Diffused	625	2.0	30	20†	40°	754-1237-1-ND	64	4.83	9.67	—	—	—
3mm		Yellow	Diffused	588	2.1	30	15‡	40°	754-1239-1-ND	1.06	7.93	15.86	754-1239-2-ND	250	105.74	WP7104ALUP/2YD-0L
High Power LEDs																
27	9.0 x 9.0mm	Blue	Water Clear	458	3.2	350	5500†	100°	754-1314-1-ND	7.04	52.79	—	—	—	—	AAD1-9090QB10ZC
	9.0 x 9.0mm	Blue	Water Clear	460	3.9	700	10000Δ	100°	754-1317-1-ND	9.37	70.26	—	754-1317-2-ND	500	1686.07	AAD1-9090QB11ZC/3
	9.0 x 9.0mm	Red-Orange	Water Clear	625	2.5	350	12000†	100°	754-1315-1-ND	4.16	31.23	—	754-1315-2-ND	500	749.27	AAD1-9090SE28ZC
	9.0 x 9.0mm	Yellow	Water Clear	588	2.5	350	11500†	100°	754-1316-1-ND	4.16	31.23	—	754-1316-2-ND	500	749.27	AAD1-9090SY28ZC
28	10 x 10mm	Red-Orange	Water Clear	625	2.5	350	32000†	120°	754-1320-1-ND	3.17	23.79	—	754-1320-2-ND	500	570.84	AA1010SE28ZC
	10 x 10mm	Super Yellow	Water Clear	588	2.5	350	9000†	120°	754-1321-1-ND	3.17	23.79	—	754-1321-2-ND	500	571.00	AA1010SY28ZC
29	3.5 x 2.8mm	Blue	Water Clear	457	3.5	150	1000▲	120°	754-1323-1-ND	2.63	19.70	—	—	—	—	AA3529QB24ZS
30	3.5 x 3.5mm	Blue	Water Clear	457	3.2	150	1000▲	120°	754-1381-1-ND	2.15	16.11	32.22	—	—	—	AA3535QB24Z1S
	3.5 x 3.5mm	Blue	Water Clear	450	3.5	150	1000▲	120°	754-1497-1-ND	2.15	16.08	32.16	754-1497-2-ND	200	171.50	AA3535QB25Z1S
	3.5 x 3.5mm	Hyper Orange	Water Clear	618	2.9	150	14000▲	120°	754-1382-1-ND	89	6.66	13.32	—	—	—	AA3535SEL1Z1S
	3.5 x 3.5mm	Super Yellow	Water Clear	590	3.0	150	4000▲	120°	754-1383-1-ND	89	6.66	13.32	—	—	—	AA3535SYL1Z1S
	3.5 x 3.5mm	Green	Water Clear	525	3.4	150	6000▲	120°	754-1384-1-ND	3.79	28.41	56.82	—	—	—	AA3535ZG24Z1S
	3.5 x 3.5mm	Green	Water Clear	525	3.5	150	6300▲	120°	754-1496-1-ND	3.08	23.11	46.22	754-1496-2-ND	200	246.51	AA3535ZG25Z1S
31	5.0 x 6.0mm	Blue/	Water Clear	470/	3.2/	30	250▼/	100°	—	—	—	—	—	—	—	
	5.0 x 6.0mm	Green/	Water Clear	525/	3.2/	30	600▼/	100°	754-1328-1-ND	2.63	19.70	—	754-1328-2-ND	500	472.94	AAAF5060PBSEEVGEC
	5.0 x 6.0mm	Hyper Orange	Water Clear	621	2.0	50	1000*‡	100°	—	—	—	—	—	—	—	
	5.0 x 6.0mm	Blue/	Water Clear	470/	3.3/	30	250▼/	100°	—	—	—	—	—	—	—	
	5.0 x 6.0mm	Green/	Water Clear	525/	3.3/	30	650▼/	100°	754-1329-1-ND	1.83	13.75	—	—	—	—	AAAF5060QBDZGSEEC
	5.0 x 6.0mm	Hyper Red	Water Clear	621	2.0	50	1000*‡	100°	—	—	—	—	—	—	—	
	5.0 x 6.0mm	Blue/	Water Clear	465/	3.3/	30/	350▼/	100°	—	—	—	—	—	—	—	
	5.0 x 6.0mm	Green/	Water Clear	525/	3.3/	30/	650▼/	100°	754-1495-1-ND	2.02	15.12	30.24	—	—	—	AAAF5060QBFSEEZGC
	5.0 x 6.0mm	Hyper Red	Water Clear	621	2.0	50	1000*‡	100°	—	—	—	—	—	—	—	
	5.0 x 6.0mm	Blue/	Water Clear	465/	3.3/	30/	350▼/	100	—	—	—	—	—	—	—	
	5.0 x 6.0mm	Green/	Water Clear	525/	3.3/	30/	650▼/	100	754-1494-1-ND	2.02	15.12	30.24	754-1494-2-ND	500	362.82	AAAF5060QBFBSURZGC
	5.0 x 6.0mm	Hyper Red	Water Clear	630	1.9	50	500*‡	100	—	—	—	—	—	—	—	
32	3W w/star brd	Red/	Water Clear	625/	2.5/	350	8000/	135°	—	—	—	—	—	—	—	
	3W w/star brd	Green/	Water Clear	530/	3.3/	350	16000†	135°	754-1331-5-ND*	15.61	—	301.86	—	—	—	AAD1-9090BRGC-01/3-S
	3W w/star brd	Blue	Water Clear	458	3.2	350	3500	135°	—	—	—	—	—	—	—	

§ Chromaticity Coordinates † Iv (mcd) @ 10mA ▼ Iv (mcd) @ 30mA * Iv (mcd) @ 50mA † Iv (mcd) @ 120mA ▲ Iv (mcd) @ 150mA ★ Iv (mcd) @ 250mA
‡ Iv (mcd) @ 350mA Δ Iv (mcd) @ 700mA • Bulk

(Continued)

Digi-Reel® Most SMT cutdown parts are available on a Digi-Reel®. For Digi-Reel part number, change 1-ND to 6-ND or CT-ND to DKR-ND. See Digi-Key® Services on page 2 for additional information.

2610 (EU2011-EN) **Free shipping on orders over €65! All prices in euro and include duties.**