



## Ambient Light Sensors



Fig.	Package	Peak Wave-length (nm)	Bandwidth (nm)	Photo Current Standard Typ. (µA)	View Angle (°)	Digi-Key Part No.	1	Price Each	10	100	Vishay Part No.
1	0805 SMD	550	450 - 610	12	120	751-1056-1-ND†	.93	.83	.66	TEM16200FX01	
	0805 SMD	550	450 - 610	12	120	751-1056-2-ND‡	1.69	1.46	1.19	TEM16200FX01	
	1206 SMD	540	430 - 610	0.04	120	751-1051-1-ND‡	1.05	.95	.75	TEM6000X01	
2	1206 SMD	570	360 - 970	50	120	751-1055-1-ND‡	1.05	.95	.75	TEM6000X01	
	1206 SMD	570	360 - 970	50	120	751-1055-2-ND‡	1.05	.95	.75	TEM6000X01	
3	3mm	570	360 - 970	200	60	751-1057-ND	.51	.45	.35	TEPT4400	
4	5mm	570	360 - 970	350	40	751-1058-ND	.55	.48	.37	TEPT5600	
5	5mm	570	360 - 970	75	100	751-1059-ND	.55	.48	.37	TEPT5700	

† Cut Tape ‡ Tape and Reel

## Reflective Sensors



Fig.	Operating Range (mm)	Peak Operating Distance (mm)	Output	Package	Digi-Key Part No.	1	Price Each	10	100	Vishay Part No.
6	0 - 4.5	<0.5	Transistor	Straight Leads	751-1025-ND	.97	.87	.68	—	CNV70
7	0.2 - 4.0	1	Transistor	Straight Leads	751-1031-ND	.88	.78	.62	—	TCRT1000
	0.2 - 4.0	1	Transistor	Bent Leads	751-1032-ND	.91	.81	.64	—	TCRT1010
8	0.2 - 15	2.5	Transistor	Short Leads	751-1033-5-ND	.88	.78	.62	—	TCRT5000
	0.2 - 15	2.5	Transistor	Straight Leads	751-1034-5-ND	.88	.78	.62	—	TCRT5000L
9	2 - 25	6	PIII Photodiode	4-SMD	751-1029-1-ND†	2.16	1.86	1.52	—	TCND5000
	2 - 25	6	PIN Photodiode	4-SMD	751-1029-2-ND‡	2.16	1.86	1.52	—	TCND5000

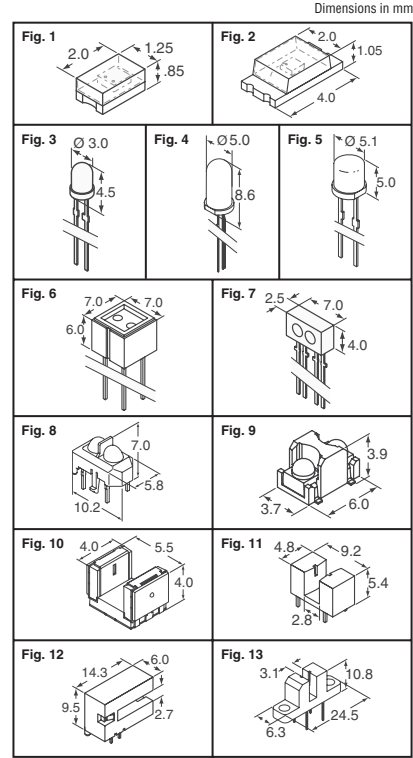
† Cut Tape ‡ Tape and Reel

## Transmissive or Interrupter Sensors



Fig.	Gap (mm)	Package	Aperture (mm)	Rise/Fall Time (µs)	Digi-Key Part No.	1	Cut Tape Price Each	10	100	Tape and Reel Pricing	Vishay Part No.
10	3.0	6-SMD	0.3	20 / 30	751-1030-1-ND	1.56	1.40	1.11	—	574.97/M	TCPT1300X01
	3.0	—	0.3	20 / 30	751-1040-1-ND	1.67	1.44	1.17	—	644.36/M	TCPT1300X01
11	2.8	—	0.5	15 / 10	751-1036-5-ND†	.85	.76	.60	—	—	TCST1230
12	2.7	—	0.5	15 / 10	751-1039-5-ND†	1.26	1.12	.89	—	—	TCST5250
13	3.1	w/o flange	0.5	10 / 8	751-1035-5-ND†	1.12	.99	.79	—	—	TCST1202
	3.1	with flange	0.5	10 / 8	751-1037-5-ND†	1.29	1.17	.94	—	—	TCST2202

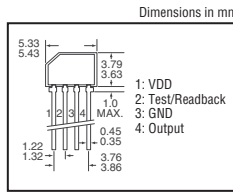
† Tube ‡ For Tape & Reel part number, change 1-ND to 2-ND.



## Programmable Linear Hall Effect ICs



- Features:**
- Quad switched/chopper stabilized
  - Ratio metric output for A/D interface
  - Adjustable quiescent voltage (V<sub>Q</sub>)
  - Very low quiescent voltage temperature drift
  - Adjustable sensitivity
  - Adjustable temperature compensation of sensitivity



Description	Temperature Range (°C)	Package	Digi-Key Part No.	1	Price Each	10	25	50
Precision Programmable Linear Hall IC	-40 - 85	4-SIP(VA)	MLX90215EVA-ND◆	6.77	5.09	4.20	3.51	—
Precision Programmable Linear Hall IC	-40 - 150	4-SIP(VA)	MLX90215LVA-ND◆	7.06	5.32	4.39	3.66	—
Daughter Board for PTC Devices	—	—	PTC-04-DB-90316-ND	107.39	—	—	—	—
Programmer for PTC Devices	—	—	PTC-04-ND	1095.41	—	—	—	—

◆ RoHS Compliant

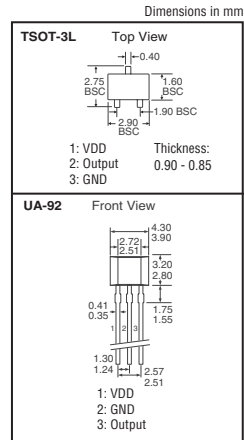
## Hall Effect Sensor ICs — US Series

Output Type: Open Drain



Package	Supply Voltage	Operating Point (mT)	Release Point (mT)	Operating Type†	Temperature Range	Digi-Key Part No.	1	Price Each	10	25	100	Digi-Key Part No.	Tape & Reel Pricing
TSOT-3L	3.5 - 24	1.0 5.0 9.0	-9.0 -5.0	-1.0	Bipolar	-40°C - 85°C	US1881ESECT-ND◆	1.21	.92	.71	.42	US1881ESETR-ND◆	271.79/M
UA-92	3.5 - 24	1.0 5.0 9.0	-9.0 -5.0	-1.0	Bipolar	-40°C - 85°C	US1881EUA-ND◆	1.28	.97	.74	.44	—	—
TSOT-3L	3.5 - 24	0.5 — 9.5	-9.5 -0.5	-0.5	Bipolar	-40°C - 150°C	US1881LSECT-ND◆	1.35	1.02	.79	.47	US1881LSETR-ND◆	301.53/M
UA-92	3.5 - 24	1.0 5.0 9.0	-9.0 -5.0	-1.0	Bipolar	-40°C - 150°C	US1881LUA-ND◆§	1.42	1.07	.83	.49	—	—
TSOT-3L	3.5 - 24	0.5 — 4.5	-4.5 —	-0.5	Bipolar	-40°C - 85°C	US2881ESECT-ND◆	1.35	1.02	.79	.47	US2881ESETR-ND◆	301.53/M
UA-92	3.5 - 24	0.5 — 4.5	-4.5 —	-0.5	Bipolar	-40°C - 85°C	US2881EUA-ND◆§	1.42	1.07	.83	.49	—	—
TSOT-3L	3.5 - 24	0.5 — 4.5	-4.5 —	-0.5	Bipolar	-40°C - 150°C	US2881LSECT-ND◆	1.50	1.13	.87	.52	US2881LSETR-ND◆	335.40/M
UA-92	3.5 - 24	0.5 — 4.5	-4.5 —	-0.5	Bipolar	-40°C - 150°C	US2881LUA-ND◆§	1.58	1.19	.92	.55	—	—
TSOT-3L	3.5 - 24	-3.0 — 6.0	-6.0 —	3.0	Bipolar	-40°C - 85°C	US2882ESECT-ND◆	1.43	1.08	.83	.49	US2882ESETR-ND◆	286.66/M
UA-92	3.5 - 24	-3.0 — 6.0	-6.0 —	3.0	Bipolar	-40°C - 85°C	US2882EUA-ND◆§	1.35	1.02	.79	.47	—	—
TSOT-3L	3.5 - 24	-3.5 — 6.0	-6.0 —	3.5	Bipolar	-40°C - 150°C	US2882LSECT-ND◆	1.43	1.08	.83	.49	US2882LSETR-ND◆	318.88/M
UA-92	3.5 - 24	-2.0 2.0 6.0	-6.0 -2.0	2.0	Bipolar	-40°C - 150°C	US2882LUA-ND◆§	1.50	1.13	.87	.52	—	—
UA-92	2.2 - 18	0.5 2.0 4.5	-4.5 -2.0	-0.5	Bipolar	-40°C - 85°C	US4881EUA-ND◆§	1.28	.97	.74	.44	—	—
UA-92	2.2 - 18	0.5 2.0 4.5	-4.5 -2.0	-0.5	Bipolar	-40°C - 150°C	US4881LUA-ND◆§	1.42	1.07	.83	.49	—	—
UA-92	3.5 - 24	15 25 30	9.5 20 28	28	Unipolar	-40°C - 85°C	US5881EUA-ND◆§	1.48	1.12	.86	.51	—	—
UA-92	3.5 - 24	15 25 30	9.5 20 28	28	Unipolar	-40°C - 150°C	US5881LUA-ND◆§	1.64	1.24	.96	.57	—	—
TSOT-3L	3.5 - 24	7 12 15	3.5 7.5 10	10	Unipolar	-40°C - 85°C	US5781ESECT-ND◆	1.56	1.18	.91	.54	US5781ESETR-ND◆	349.44/M
UA-92	3.5 - 24	7 12 15	3.5 7.5 10	10	Unipolar	-40°C - 85°C	US5781EUA-ND◆§	1.64	1.24	.96	.57	—	—
TSOT-3L	3.5 - 24	7 12 15	3.5 7.5 10	10	Unipolar	-40°C - 150°C	US5781LSECT-ND◆	1.73	1.31	1.01	.60	US5781LSETR-ND◆	388.27/M
UA-92	3.5 - 24	7 12 15	3.5 7.5 10	10	Unipolar	-40°C - 150°C	US5781LUA-ND◆§	1.83	1.38	1.06	.63	—	—
TSOT-3L	3.5 - 24	7 12 15	3.5 7 10	10	Unipolar	-40°C - 85°C	US5782ESECT-ND◆	1.61	1.21	.94	.56	US5782ESETR-ND◆	360.18/M
TSOT-3L	3.5 - 24	7 12 15	3.5 7 10	10	Unipolar	-40°C - 150°C	US5782LSECT-ND◆	1.79	1.35	1.04	.62	US5782LSETR-ND◆	399.84/M

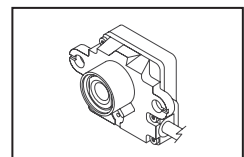
◆ RoHS Compliant † Unipolar is only sensitive to either a north or south pole of a magnet. Bipolar is sensitive to alternating magnetic fields of both north and south poles. § Bulk



## Automotive Camera Module

- Features:**
- Monochrome NTSC Camera
  - >120dB Wide Dynamic Range
  - High Sensitivity in Visible and NIR
  - 54° FOV lens
  - Robust IP63 Housing
  - Automatic Exposure Control (AE)
  - Autobrite® Automatic Wide Dynamic Range (WDR) Control
  - Manual settings possible via I2C
  - Qualified Automotive Design
  - Low power (960mW @ 4.4V and 30fps)
  - Applications: Night Vision
  - Vision for Autonomous Vehicles
  - Vision for Commercial Vehicles
  - Security Vision

Description	Resolution	Speed	Digi-Key Part No.	Price Each	Melexis Part No.
Automotive Camera Module	640 x 480	30fps	MLX75403ACM-ND	298.22	MLX75403 "ACM"



Digi-Reel® Most SMT cutdown parts are available on a Digi-Reel®. For Digi-Reel part number, change 1-ND to 6-ND or CT-ND to DKR-ND. See Digi-Key® Services on page 2 for additional information.

Free shipping on orders over €65! All prices in euro and include duties. (EU2011-EN) 2511