

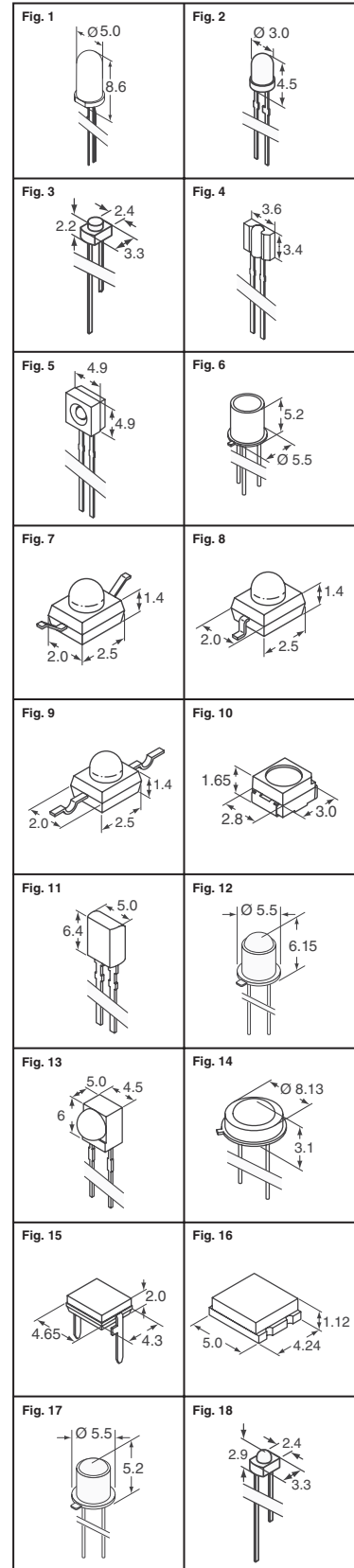
**VISHAY Semiconductor Phototransistors**



Dimensions in mm

Fig.	Package	Peak Wavelength (nm)	Bandwidth (nm)	Collector Light Current Ica (mA) Typ.	View Angle (°)	On/Off Time (µs)	Digi-Key Part No.	Price Each			Tape and Reel†		Vishay Part No.
								1	10	100	Qty.	Pricing	
1	5.0 mm	850	620 - 980	10	30	6/5	751-1003-ND	.77	.68	.53	—	—	BPV11
1	5.0 mm	930	900 - 980	9	30	6/5	751-1004-ND	.77	.68	.53	—	—	BPV11F
2	3.0 mm	850	620 - 980	1.5	50	2.0/2.3	751-1023-ND	.54	.45	.34	—	—	BPW85
2	3.0 mm	925	875 - 1000	3.2	60	2.0/2.3	751-1041-ND	.54	.46	.34	—	—	TEFT4300
3	1.8 mm	825	620 - 960	1	24	4.8/5	751-1011-ND	.59	.52	.40	—	—	BPW17N
4	Side View	920	850 - 980	2.5	60	6/5	751-1061-ND	.74	.66	.52	—	—	TEST2600
5	Side View	920	850 - 980	4	74	6/5	751-1042-ND	.74	.66	.51	—	—	TEKTS400S
6	TO-18	850	620 - 980	0.6	80	6/5	751-1018-ND	1.69	1.53	1.23	—	—	BPW76A
6	TO-18	850	620 - 980	1.2	80	6/5	751-1019-ND	1.69	1.53	1.23	—	—	BPW76B
6	TO-18	850	620 - 980	10	20	6/5	751-1020-ND	1.69	1.53	1.23	—	—	BPW77NA
6	TO-18	850	620 - 980	20	20	6/5	751-1021-ND	1.69	1.53	1.23	—	—	BPW77NB
7	1.9 mm	950	750 - 980	7	30	2.0/2.3	751-1052-1-ND‡	.68	.59	.47	1,000	247.45	TEMT1000
8	1.9 mm	950	750 - 980	7	30	2.0/2.3	751-1053-1-ND‡	.68	.59	.47	1,000	247.45	TEMT1020
9	1.9 mm	950	750 - 980	7	30	2.0/2.3	751-1054-1-ND‡	.68	.59	.47	1,000	247.45	TEMT1030
10	PLCC-2	830	620 - 980	0.5	120	2	751-1237-1-ND‡	.76	.66	.52	1,500	277.08/M	VENT3700-GS08

† For Tape and Reel Part number, change 1-ND to 2-ND. ‡ Cut Tape



**PIN Photodiodes**



Fig.	Package	Peak Wavelength (nm)	Bandwidth (nm)	Sensitivity Ira Typ. (µA)	View Angle (°)	Rise/Fall Time (ns)	Digi-Key Part No.	Price Each			Tape and Reel†		Vishay Part No.
								1	10	100	Qty.	Pricing	
1	5.0 mm	920	570 - 1040	70	40	2.5	751-1001-ND	.79	.70	.54	—	—	BPV10
1	5.0 mm	940	790 - 1050	60	40	2.5	751-1002-ND	.79	.70	.54	—	—	BPV10NF
7	1.9 mm	900	840 - 1050	10	30	4	751-1043-1-ND‡	.76	.66	.52	1,000	277.08	TEMD1000
8	1.9 mm	900	840 - 1050	10	30	4	751-1044-1-ND‡	.76	.66	.52	1,000	277.08	TEMD1020
9	1.9 mm	900	840 - 1050	10	30	4	751-1045-1-ND‡	.76	.66	.52	1,000	277.08	TEMD1030
11	Flat Side View	900	600 - 1050	50	130	100	751-1017-ND	.76	.67	.53	—	—	BPW46
11	Flat Side View	950	790 - 1050	45	130	100	751-1022-ND	.76	.67	.53	—	—	BPW83
12	TO-18	900	600 - 1050	60	24	7	751-1014-ND	3.07	2.74	2.25	—	—	BPW24R
13	Side View	950	870 - 1050	80	120	100	751-1006-ND	.78	.69	.55	—	—	BPV22F
13	Side View	940	790 - 1050	85	120	100	751-1007-ND	.78	.69	.55	—	—	BPV22NF
13	Side View	950	870 - 1050	63	120	70	751-1008-ND	.72	.64	.51	—	—	BPV23F
13	Side View	940	790 - 1050	65	120	70	751-1009-ND	.72	.64	.51	—	—	BPV23NF
14	TO-5	920	550 - 1040	42	100	3400/3700	751-1012-ND	4.01	3.59	2.94	—	—	BPW20RF
14	TO-5	565	420 - 675	9	100	3100/3000	751-1013-ND	7.07	6.37	5.23	—	—	BPW21R
15	Top View	900	600 - 1050	50	130	100	751-1015-ND	.85	.75	.60	—	—	BPW34
15	Top View	950	870 - 1050	45	130	100	751-1000-ND	.82	.72	.57	—	—	BP104
16	Mini SMD	900	600 - 1050	55	130	100	751-1046-1-ND‡	1.29	1.16	.92	1,500	509.31/M	TEMD5010X01
16	Mini SMD	900	600 - 1050	35	130	100	751-1047-1-ND‡	1.23	1.10	.88	1,500	484.49/M	TEMD5020X01
16	Mini SMD	940	790 - 1050	55	130	100	751-1048-1-ND‡	1.29	1.16	.92	1,500	509.31/M	TEMD5110X01
16	Mini SMD	940	790 - 1050	35	130	100	751-1049-1-ND‡	1.23	1.10	.88	—	—	TEMD5120X01

† For Tape and Reel Part number, change 1-ND to 2-ND. ‡ Cut Tape

**Infrared Emitters**



Fig.	Package	Peak Wavelength (nm)	Viewing Angle (°)	Radiant Intensity Typ. (mW/sr)	Rise/Fall Time (ns)	Digi-Key Part No.	Price Each			Tape and Reel†		Vishay Part No.
							1	10	100	Qty.	Pricing	
1	5 mm	940	44	45	800	751-1202-ND	.44	.35	.24	—	—	TSAL5300
1	5 mm	940	20	130	800	751-1203-ND	.44	.35	.24	—	—	TSAL6100
1	5 mm	940	34	60	800	751-1204-ND	.44	.35	.24	—	—	TSAL6200
1	5 mm	940	50	40	800	751-1205-ND	.44	.35	.24	—	—	TSAL6400
1	5 mm	940	60	25	800	751-1206-ND	.44	.35	.24	—	—	TSAL7600
1	5 mm	870	20	180	15	751-1207-ND	.81	.72	.57	—	—	TSFF5210
1	5 mm	870	44	70	15	751-1208-ND	.81	.72	.57	—	—	TSFF5410
1	5 mm	890	20	140	30	751-1210-ND	.51	.44	.33	—	—	TSHF5210
1	5 mm	890	44	65	30	751-1211-ND	.51	.44	.33	—	—	TSHF5410
1	5 mm	850	20	160	20/13	751-1212-ND	.99	.88	.70	—	—	TSHG6200
1	5 mm	850	44	70	20/13	751-1213-ND	.99	.88	.70	—	—	TSHG6400
1	5 mm	830	20	160	20/13	751-1214-ND	.99	.88	.70	—	—	TSHG8200
1	5 mm	830	44	70	20/13	751-1215-ND	.99	.88	.70	—	—	TSHF8400
2	3 mm	875	40	20	600	751-1209-ND	.42	.36	.27	—	—	TSHA4400
2	3 mm	940	50	30	800	751-1201-ND	.44	.35	.24	—	—	TSAL4400
4	Side View	950	50	2.6	800	751-1233-ND	.52	.44	.33	—	—	TSSS2600
5	Side View	950	60	2 - 7	400/450	751-1216-ND	.69	.61	.47	—	—	TSKS5400S
7	1.9 mm	870	34	5	30	751-1217-1-ND‡	.79	.69	.55	1,000	288.29	TSMF1000
7	1.9 mm	950	24	7	800	751-1220-1-ND‡	.68	.59	.47	1,000	247.45	TSML1000
8	1.9 mm	870	34	5	30	751-1218-1-ND‡	.79	.69	.55	1,000	288.29	TSMF1020
8	1.9 mm	950	24	7	800	751-1221-1-ND‡	.68	.59	.47	1,000	247.45	TSML1020
9	1.9 mm	870	34	5	30	751-1219-1-ND‡	.79	.69	.55	1,000	288.29	TSMF1030
9	1.9 mm	950	24	7	800	751-1222-1-ND‡	.68	.59	.47	1,000	247.45	TSML1030
10	PLCC-2	950	120	4.5	800	751-1258-1-ND‡	.40	.32	.24	1,500	122.52/M	VSMS3700-GS08
10	PLCC-2	940	120	8	800	751-1257-1-ND‡	.55	.44	.34	1,500	170.58/M	VMSL3710-GS08
10	PLCC-2	870	120	10	15	751-1254-1-ND‡	.67	.59	.47	1,500	245.85/M	VSMF4710-GS08
10	PLCC-2	830	120	10	25	751-1255-1-ND‡	1.05	.94	.75	1,500	414.82/M	VSMG2700-GS08
10	PLCC-2	850	120	10	20/13	751-1256-1-ND‡	.97	.87	.69	—	—	VSMG3700-GS08
10	PLCC-2	890	120	10	30	751-1253-1-ND‡	.56	.49	.39	1,500	205.01/M	VSMF3710-GS08
17	TO-18	875	60	6	300	751-1234-ND	2.02	1.83	1.47	—	—	TSTA7500
17	TO-18	950	60	1.6	400	751-1235-ND	1.95	1.76	1.42	—	—	TST57500
18	1.8 mm	950	110	1.5	400/450	751-1026-ND	.50	.42	.32	—	—	CQY36N
18	1.8 mm	950	24	5	400/450	751-1027-ND	.50	.42	.32	—	—	CQY37N

† For Tape and Reel Part number, change 1-ND to 2-ND. ‡ Cut Tape

Digi-Reel® Most SMT cutdown parts are available on a Digi-Reel®. For Digi-Reel part number, change 1-ND to 6-ND or CT-ND to DKR-ND. See Digi-Key® Services on page 2 for additional information.

Free shipping on orders over €65! All prices in euro and include duties. (EU2011-EN) 2481

