

Soberton Inc. **Magnetic Audio Transducers** (Cont.)

Fig.	Rated Frequency (kHz)	Operating Voltage (V) o-p	Sound Pressure Level	Current Consumption (mA)	Operating Temperature (°C)	Terminal	Digi-Key Part No.	Price Each				Digi-Key Part No.	Tape & Reel		Soberton Part No.
								1	10	100	500		Qty.	Pricing	
Washable Type — Self-Contained Drive — RoHS Compliant															
7	2.4 ± 4	1.4 - 3	>75dB min. @ 2.40kHz	<20	-20 - 70	SMD	433-1043-1-ND†	2.53	1.69	1.38	—	433-1043-2-ND	320	412.65	WST-1310S -1
	2.3 ± 3	4 - 7	>85dB min. @ 2.30kHz	<30	-20 - 70	SMD	433-1044-1-ND†	2.53	1.69	1.38	—	433-1044-2-ND	320	404.46	WST-1310S -2
	2.3 ± 3	8 - 15	>85dB min. @ 2.30kHz	<30	-20 - 70	SMD	433-1045-1-ND†	2.53	1.69	1.38	—	—	—	—	WST-1310S -3
8	3.10	1.4 - 2	>75dB @ 3.10kHz	<25	-20 - 70	PCB	433-1079-ND	1.50	.98	.75	.66	—	—	—	WST-1201BX
	2.3 ± 5	2 - 5	>82dB @ 2.30kHz	<30	-20 - 70	PCB	433-1047-ND	1.50	.98	.75	.66	—	—	—	WST-1203UX
9	2.3 ± 2	4 - 6	85dB min. @ 2.30kHz	30 max.	-20 - 60	PCB	433-1029-ND	1.50	.98	.75	.66	—	—	—	WST-1205S
10	2.3 ± 3	8 - 16	85dB min. @ 2.30kHz	30 max.	-20 - 60	PCB	433-1030-ND	1.90	1.24	.95	.84	—	—	—	WST-1612S
Piezoelectric Buzzers — RoHS Compliant															
External Drive Circuit															
11	5.5 ± 0.7	1 - 30	≥90 @ 5.5	≤8	-20 - 70	Wire	433-1054-ND	.93	.55	.38	.32	—	—	—	PT-2404
Drive Circuit Built-In															
12	4.0 ± 0.5	3 - 16	≥80 @ 4.0	≤7	-20 - 70	PCB	433-1065-ND	2.74	1.79	1.37	1.21	—	—	—	PB-1408-1
	4.8 ± 0.4	3 - 16	≥85 @ 4.8	≤10	-20 - 70	PCB	433-1066-ND	2.74	1.79	1.37	1.21	—	—	—	PB-1408-2

◆ RoHS Compliant ‡ Cut Tape

muRata **Piezoelectric Buzzers**
Innovator in Electronics



Dim. in mm

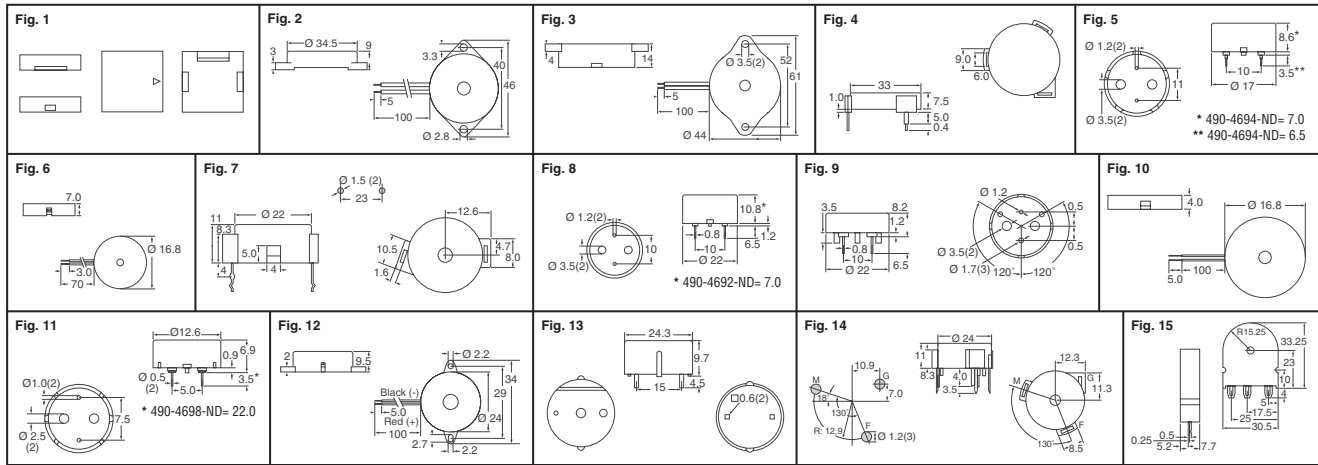


Fig.	Resonant Frequency (kHz)	Operating Voltage Maximum	Minimum SPL (dB)	Capacitance (pF)	Operating Temperature (°C)	Terminal	Digi-Key Part No.	Price Each			Murata Part No.
								1	10	100	
1	2.0	25Vp-p	70	—	-20 - 70	SMD	490-5260-1-ND†	1.70	1.48	1.37	PKLCS1212E2000-R1
	2.0	25Vp-p	70	—	-20 - 70	SMD	490-5260-2-ND†	—	795.53/1,000	—	PKLCS1212E2000-R1
	2.0	25Vp-p	70	—	-40 - 85	SMD	490-5261-1-ND†	1.79	1.56	1.44	PKLCS1212E20A0-R1
	2.0	25Vp-p	70	—	-40 - 85	SMD	490-5261-2-ND†	—	836.01/1,000	—	PKLCS1212E20A0-R1
	4.0	25Vp-p	75	—	-20 - 70	SMD	490-4683-1-ND†	1.48	1.29	1.19	PKLCS1212E4001-R1
	4.0	25Vp-p	75	—	-20 - 70	SMD	490-4683-2-ND†	—	691.45/1,000	—	PKLCS1212E4001-R1
	4.0	25Vp-p	75	—	-40 - 85	SMD	490-5262-1-ND†	1.56	1.36	1.25	PKLCS1212E40A1-R1
2	1.1	40Vp-p	70	40,000	-20 - 70	Wire	490-4684-ND	1.87	1.55	1.21	PKM34EWH1101C
	1.2	60Vp-p	70	32,000	-20 - 70	Wire	490-4685-ND	1.55	1.29	1.00	PKM34EWH1201C
3	1.0	30Vp-p	75	68,000	-20 - 70	Wire	490-4686-ND	2.33	1.94	1.50	PKM44EWH1001C
4	1.2	40Vp-p	68	40,000	-20 - 70	PCB Pin	490-4687-ND	2.64	2.20	1.70	PKM33EPH1201C
5	2.0	25Vp-p	70	34,000	-20 - 70	PCB Pin	490-4688-ND	.97	.80	.62	PKM17EPP-2002-B0
	4.0	25Vp-p	72	7,000	-20 - 70	PCB Pin	490-4694-ND	.76	.64	.50	PKM17EPPH4001-B0
6	2.0	7.0Vp-p	72	40,000	-20 - 70	Wire	490-4689-ND	2.37	1.97	1.53	PKM17EWH2001
7	2.0	25Vp-p	75	17,000	-20 - 70	PCB Pin	490-4690-ND	1.22	1.02	.79	PKM22EPH2001
8	2.0	25Vp-p	70	19,000	-20 - 70	PCB Pin	490-4691-ND	.86	.72	.56	PKM22EPPH2001-B0
	4.0	25Vp-p	75	12,000	-20 - 70	PCB Pin	490-4692-ND	.90	.75	.58	PKM22EPPH4001-B0
	4.0	25Vp-p	85	12,000	-20 - 70	PCB Pin	490-4695-ND	.98	.82	.64	PKM22EPPH4007-B0
	4.0	25Vp-p	75	12,000	-20 - 70	PCB Pin	490-4693-ND	.86	.72	.56	PKM22EPPH4005-B0
9	4.0	25Vp-p	75	9,500	-20 - 70	Wire	490-4696-ND	1.49	1.24	.96	PKM17EWH4000
11	4.0	30Vp-p	70	5,500	-40 - 85	PCB Pin	490-4697-ND	.55	.45	.35	PKM13EPYH4002-B0
	4.0	30Vp-p	70	5,500	-40 - 85	PCB Pin	490-4698-ND	.44	.37	.29	PKM13EPYH4000-A0
12	3.3	20VDC	80	—	-20 - 70	Wire	490-4701-ND	5.10	4.23	3.28	PKB24SPCH3301
13	3.6	15VDC	90	—	-20 - 70	PCB Pin	490-4702-ND	3.50	2.90	2.26	PKB24SPCH3601-B0
14	3.8	20VDC	90	—	-20 - 70	PCB Pin	490-4703-ND	1.47	1.22	.95	PKM24SPH3805
15	2.5	20VDC	75	—	-20 - 70	PCB Pin	490-4704-ND	2.60	2.16	1.68	PKM30SPH2501-B0

† Cut Tape ‡ Tape and Reel

Digi-Reel® Most SMT cutdown parts are available on a Digi-Reel®. For Digi-Reel part number, change 1-ND to 6-ND or CT-ND to DKR-ND. See Digi-Key® Services on page 2 for additional information.

Free shipping on orders over €65! All prices in euro and include duties. (EU2011-EN) 2387