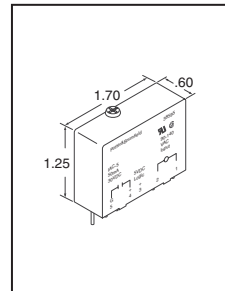


Features: • Industry standard package and pin-out • Color coded by function • 4,000Vrms optical isolation • High immunity to false operation
• Output modules can be controlled from sinking or sourcing logic



Dim. in Inches

Input Voltage	Input I (mA)	Output Current @ Output Voltage	Package Color	Turn On Time	Turn Off Time	Digi-Key Part No.	Price Each			Tyco Electronics Part No.
							1	25	50	
90 - 140VAC/DC 3.3 - 32VDC	6 1 - 20 34	50mA @ 30VDC 50mA @ 30VDC 50mA @ 20 - 30VDC	Yellow White White	20 1 1	30 1 1	PB537-ND PB538-ND PB703-ND	12.24	10.72	9.70	IAC-5
							12.24	10.72	9.70	IDC-5
							12.89	11.29	10.21	IDC-24
3 - 8VDC	1 - 20	3A @ 24 - 280VAC	Black	8.3	8.3	PB539-ND PB698-ND	12.24	10.72	9.70	OAC-5
							12.24	10.72	9.70	OAC-5A
							14.78	12.94	11.71	OAC-5H
3 - 8VDC	1 - 20	3A @ 24 - 280VAC	Black Mini	8.3	8.3	PB701-ND PB702-ND	12.26	10.73	9.71	OACM-5
							14.78	12.94	11.71	OACM-5H
							12.93	11.32	10.24	OAC-15
9 - 18VDC 18 - 32VDC	1 - 13	3A @ 24 - 280VAC	Black	8.3	8.3	PB700-ND PB699-ND	12.60	11.04	9.99	OAC-24
							12.24	10.72	9.70	ODC-5
							12.96	11.34	10.26	ODC-15
3 - 8VDC 9 - 18VDC 18 - 32VDC	1 - 13	3A @ 3 - 60VDC 3A @ 3 - 60VDC 3A @ 3 - 60VDC	Red Red Red	1 0.10 1	0.75 0.75 0.75	PB704-ND PB704-ND PB540-ND	12.60	11.04	9.99	ODC-24
							40.06	35.05	31.71	2I04A
							40.06	35.05	31.71	2I04B
I/O Mounting Board 4 Position, Negative True Logic - Screw Terminal						PB696-ND	40.06	35.05	31.71	2I04A
I/O Mounting Board 4 Position, Negative or Positive True Logic - Screw Terminal						PB695-ND	40.06	35.05	31.71	2I04B
I/O Mounting Board 16 Position, Negative or Positive True Logic - Screw Terminal						PB697-ND	152.46	133.41	120.71	2I016B



◆ RoHS Compliant

Solid State Relays



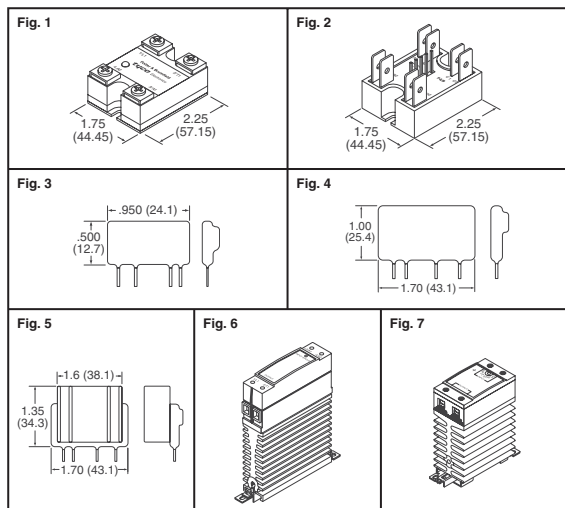
SSR, SSRT, SSRD and SSRQ Series: Potter & Brumfield Models SSR are SPST "Hockey Puck" style solid state relays for general power switching applications. These feature a dual, back to back SCR, Zero-Cross switching output for most inductive and high inrush loads. Parts ending in "R" are random turn-on outputs for phase control applications. SSRD (Dual) and SSRQ (Quad) are multiple output relays where each output is controlled separately. SSR are SPST "Hockey Puck" style relays with snubber less Triac Outputs for inductive switching and high inrush applications. Enhanced noise

immunity (designed to meet level 3 requirements of European EMC Directive). Includes LED indicator and floating terminal design.

SSRA, SSRC, SSRF, SSRK and SSRM Series: Models are available in zero voltage turn-on and random voltage turn-on versions, permitting users to select a relay with the preferred switching characteristics for a given application. Also, they are available in SIP PC board packages or DIN-rail/panel mount packages.

Dim. in Inches (mm)

Fig.	Input Voltage	Operate Voltage	Release Voltage	Output Voltage	Output Current (Arms)	Digi-Key Part No.	Price Each			Tyco Electronics Part No.
							1	25	50	
SSR Series — SCR Output										
1	3 - 32VDC	3VDC	1VDC	24 - 240VAC	0.1 - 25	PB545-ND	38.19	33.42	30.24	SSR-240D25
	3 - 32VDC	3VDC	1VDC	24 - 240VAC	0.1 - 25	PB546-ND	41.69	36.48	33.01	SSR-240D25R
	3 - 32VDC	3VDC	1VDC	24 - 240VAC	0.1 - 50	PB547-ND	55.66	48.71	44.07	SSR-240D50
	3 - 32VDC	3VDC	1VDC	24 - 240VAC	0.1 - 125	PB544-ND	101.67	88.97	80.49	SSR-240D125
	3 - 32VDC	3VDC	1VDC	48 - 660VAC	0.1 - 125	PB707-ND	85.20	74.55	67.45	SSR-480D125
	90 - 280VAC	90VAC	10VAC	24 - 240VAC	0.1 - 25	PB542-ND	45.21	39.56	35.79	SSR-240A25
90 - 280VAC	90VAC	10VAC	24 - 240VAC	0.1 - 50	PB543-ND	62.67	54.84	49.62	SSR-240A50	
SSRT Series — Triac Output										
1	3 - 32VDC	3VDC	1VDC	24 - 240VAC	0.05 - 10	PB553-ND	29.60	25.90	23.44	SSRT-240D10
	3 - 32VDC	3VDC	1VDC	24 - 240VAC	0.05 - 25	PB554-ND	34.75	30.41	27.51	SSRT-240D25
	90 - 280VAC	90VAC	10VAC	24 - 240VAC	0.1 - 10	PB706-ND	33.04	28.91	26.16	SSRT-240A10
	90 - 280VAC	90VAC	10VAC	24 - 240VAC	0.05 - 25	PB552-ND	41.69	36.48	33.01	SSRT-240A25
SSRD Series — Dual Output										
2	3 - 32VDC	3VDC	1VDC	24 - 240VAC	0.05 - 25	PB548-ND	78.85	69.00	62.43	SSRD-240D25
	4 - 15VDC	4VDC	1VDC	24 - 240VAC	0.05 - 25	PB549-ND	74.76	65.42	59.19	SSRD-240D25R
	3 - 32VDC	3VDC	1VDC	24 - 240VAC	0.05 - 40	PB550-ND	86.93	76.07	68.82	SSRD-240D40
SSRQ Series — Quad AC Output										
2	4 - 15VDC	4VDC	1VDC	24 - 280VAC	0.05 - 20	PB551-ND	111.32	97.41	88.13	SSRQ-240D20
SSRA Series — SCR Output — RoHS Compliant										
3	4 - 10VDC	4VDC	1VDC	24 - 280VAC	0.06 - 2	PB1241-ND	15.28	13.37	12.10	SSRA-240D2
SSRC Series — SCR Output — RoHS Compliant										
4	3 - 15VDC	3VDC	1VDC	12 - 280VAC	0.06 - 5	PB1242-ND	15.38	13.46	12.18	SSRC-240D5
SSRF Series — SCR Output — RoHS Compliant										
5	3 - 15VDC	3VDC	1VDC	12 - 280VAC	0.06 - 10	PB1243-ND	28.10	24.59	22.25	SSRF-240D25
SSRK Series — SCR Output — RoHS Compliant										
6	4 - 32VDC	4VDC	1VDC	148 - 660VAC	0.15 - 30	PB1244-ND	81.30	71.14	64.37	SSRK-600D30
SSRM Series — SCR Output — RoHS Compliant										
7	4 - 32VDC	4VDC	1VDC	48 - 660VAC	0.15 - 45	PB1245-ND	107.01	93.64	84.72	SSRM-600D45
	4 - 32VDC	4VDC	1VDC	48 - 660VAC	0.25 - 65	PB1246-ND	149.29	130.64	118.20	SSRM-600D65



◆ RoHS Compliant

Safety Relays



Safety-implemented circuits must be control reliable as mandated in the U.S. and European safety standards. Safety relays have the function to positively isolate safety circuits of emergency shut-off, machine control, elevator and escalator controls, light barrier control, furnaces, medical apparatus or

any application requiring redundant shutoff safety requirements. These relays are designed with force guided contacts when in the event of a fault (1 contact welds closed), the second contact must carry out the switch off condition.

Dim. in mm

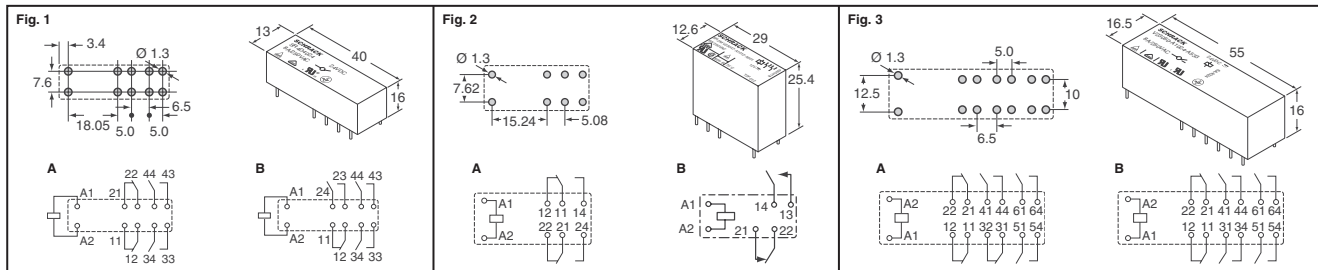


Fig.	Contact Arrangement	Coil Voltage	Coil Current (mA)	Contact Rating (A)	Terminal Type	Forcibly Guided Contacts	Brand Name	Digi-Key Part No.	Price Each			Tyco Electronics Part No.	
									1	25	50		100
SR4 D/M Series													
1A	4PST	5VDC	161	8	PC Mount	2-NO + 2-NC	Schrack	PB998-ND	16.09	14.08	12.74	10.06	SR4D4005
1A	4PST	12VDC	66.6	8	PC Mount	2-NO + 2-NC	Schrack	PB999-ND	16.09	14.08	12.74	10.06	SR4D4012
1A	4PST	24VDC	33.3	8	PC Mount	2-NO + 2-NC	Schrack	PB661-ND	16.01	14.01	12.68	10.01	SR4D4024
1B	4PST	12VDC	66.6	8	PC Mount	3-NO + 1-NC	Schrack	PB1000-ND	18.64	16.32	14.76	11.66	SR4M4012
1B	4PST	24VDC	33.3	8	PC Mount	3-NO + 1-NC	Schrack	PB662-ND	15.86	13.88	12.56	9.91	SR4M4024
V23047 Series — SR2M Sealed, Single Relay													
2A	DPDT	12VDC	60.0	6	PC Mount	4	Schrack	PB675-ND	5.97	5.23	4.74	3.74	V23047-A1012-A501
2A	DPDT	24VDC	30.0	6	PC Mount	4	Schrack	PB659-ND	5.97	5.23	4.74	3.74	V23047-A1024-A501
2B	DPST	24VDC	30.0	6	PC Mount	2	Schrack	PB660-ND	5.81	5.08	4.60	3.63	V23047-A1024-A511
V23050 Series — SR6 Sealed, Single Relay													
3A	6PST	24VDC	50.0	8	PC Mount	6	Schrack	PB663-ND	17.20	15.06	13.62	10.76	V23050-A1024-A533
3B	6PST	24VDC	50.0	8	PC Mount	6	Schrack	PB664-ND	17.41	15.24	13.79	10.89	V23050-A1024-A542

2350 (EU2011-EN) **Free shipping on orders over €65! All prices in euro and include duties.**