

# C&K Slide Switches (Cont.)



Fig.	Circuit	Options (see diagram)				Contact Material	Digi-Key Part No.	Price Each			C&K Part No.
		Switching Function	Actuator H (In.)	Termination				1	25	100	
<b>Snap In — LP Series</b>											
15	SPDT	On-On	Black	03	Q	CKC5015-ND	2.87	2.31	1.83	LP02C21T203DQ	
	DPDT	On-On	Black	03	Q	CKC5016-ND	4.03	3.23	2.56	LP22C21T203DQ	
	SPDT	On-On	Red	03	Q	CKC5017-ND	3.26	2.61	2.07	LP02C31T203DQ	
	DPDT	On-On	Red	03	Q	CKC5018-ND	3.92	3.14	2.48	LP22C31T203DQ	
<b>V Series — 115V/230V Voltage Select</b>											
16	DPDT	On-On	—	C	Q	CKC3001-ND	4.14	3.32	2.63	V80212MS02Q	
	DPDT	On-On	—	02	Q	CKC3006-ND	5.15	4.13	3.27	V80212MS020E	
	DPDT	On-On	—	02	Q	CKC3007-ND	3.81	3.05	2.42	V80213MS02Q	
	DPDT	On-On	—	02	Q	CKC3008-ND	4.14	3.32	2.63	V80214MS02Q	
17	SPST	On-Off	—	.110 QC	Q	CKN9937-ND	2.91	2.33	1.85	V70102SS05Q	
	SPST	On-Off	—	.110 QC	Q	CKC3009-ND	2.58	2.07	1.64	V70113SS05Q	
	DPDT	On-On	—	.110 QC	Q	CKC3002-ND	4.14	3.32	2.63	V80212SS05Q	
	DPDT	On-On	0.29	.110 QC	Q	CKC3010-ND	3.81	3.05	2.42	V80201SS05Q	
	DPDT	On-On	—	.110 QC	Q	CKC3011-ND	3.81	3.05	2.42	V80213SS05Q	
	DPST	On-On	0.29	.110 QC	Q	CKN9156-ND	2.59	2.24	1.89	V80114SS05Q	
18	DPDT	On-On	0.29	.110 QC	Q	CKN9158-ND	3.04	2.63	2.21	V80214SS05Q	
	DPDT	On-On	0.29	.110 QC	Q	CKN9157-ND	3.32	2.87	2.42	V80214S205Q	
	DPDT	On-On	—	.110 QC	Q	CKC3005-ND	4.53	3.63	2.87	V80212S205Q	

Fig.	Circuit	Options (see diagram)				Contact Material	Digi-Key Part No.	Price Each			C&K Part No.
		Switching Function	Actuator H (In.)	Termination				1	25	100	
19	DPDT	On-On	—	02	Q	CKC3012-ND	4.74	3.80	3.01	V80213MA08Q	
	DPDT	On-On	—	C	Q	CKC3004-ND	3.72	3.22	2.71	V80212MA08Q	
<b>ES Series — Fully Sealed Miniature Slide Switches</b>											
20	SPDT	On-On	0.12	SMT	B	CKN1779CT-ND*	5.45	4.36	3.46	ES01MSABE	
	SPDT	On-On	0.12	SMT	B	CKN1779TR-ND†	980.96/300			ES01MSABE	
	SPST	On-Off	0.12	SMT	B	CKN1813CT-ND*	6.84	5.90	4.74	ES02MSABE	
	SPST	On-Off	0.12	SMT	B	CKN1813TR-ND†	1136.65/300			ES02MSABE	
21	SPDT	On-On	0.12	C	B	CKN1778-ND	5.48	4.39	3.47	ES01MCBE	
	SPST	On-Off	0.12	C	B	CKN1812-ND	5.91	4.73	3.75	ES02MCBE	
	SPDT	On-Off-On	0.12	C	B	CKN2085-ND	5.53	4.43	3.51	ES03MCBE	
	DPDT	On-On	0.12	C	B	CKN2082-ND	7.04	5.63	4.46	ES21MCBE	
	DPST	On-Off	0.12	C	B	CKN1815-ND	8.05	6.44	5.10	ES22MCBE	
22	DPDT	On-On	0.12	C	B	CKN1830-ND	7.53	6.03	4.77	ES23MCBE	
23	DPDT	On-On	0.12	C	B	CKN2080-ND	7.67	6.14	4.86	ES21MABE	
	DPST	On-Off	0.12	C	B	CKN1814-ND	8.39	6.72	5.32	ES22MABE	
	DPDT	On-Off-On	0.12	C	B	CKN1816-ND	8.05	6.44	5.10	ES23MABE	
23	SPDT	On-On	0.12	C	B	CKN1777-ND	6.23	4.99	3.95	ES01MAVBE	
	SPDT	On-Off-On	0.12	C	B	CKN2084-ND	6.40	5.13	4.06	ES03MAVBE	

\* Cut Tape † Tape and Reel

## Miniature Slide Switches



Typical Applications: • Telecommunications products • Computer peripherals • Thermostat select switch • Instrumentations • Test and measurement equipment

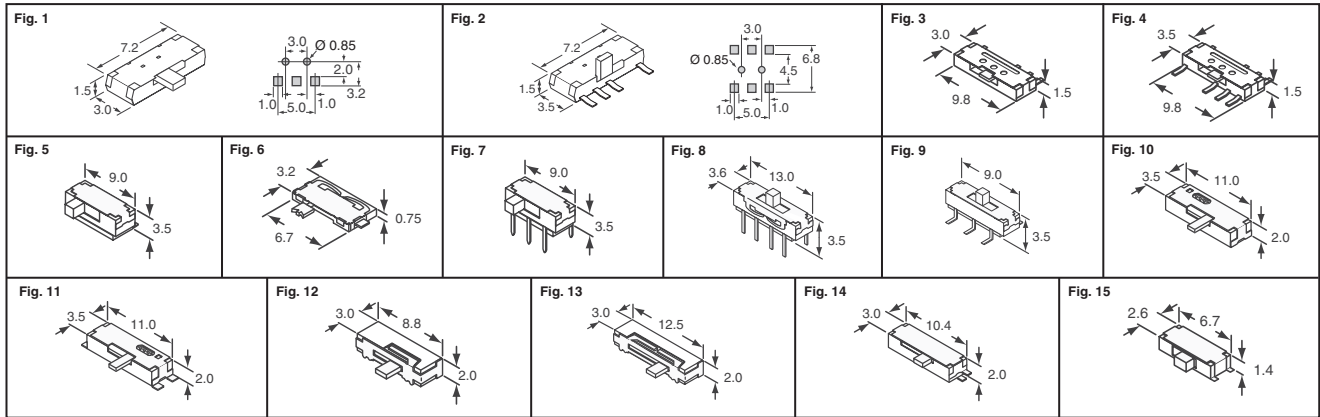


Fig.	Circuit	Switching Function	Description	Digi-Key Part No.	Cut Tape Price Each			Tape and Reel†		C&K Part No.
					1	25	100	Qty.	Pricing	
<b>AVYZ Series</b>										
1	SPDT	On-On	Horizontal Actuator, Gullwing-lead	401-2012-1-ND	.82	.76	.70	4,000	452.05/M	AYZ0102AGRCLC
2	DPDT	On-On	Vertical Actuator, Gullwing-lead	401-2013-1-ND	1.19	1.10	1.01	3,000	658.74/M	AYZ0202AGRCLC
3	SP3T	On-On-On	Horizontal Actuator, Gullwing-lead	401-2014-1-ND	.86	.80	.73	4,000	477.32/M	AYZ0103AGRCLC
4	DP3T	On-On-On	Vertical Actuator, Gullwing-lead	401-2015-1-ND	1.19	1.10	1.01	3,000	658.74/M	AYZ0203AGRCLC
<b>JS Series — Sub-Miniature</b>										
5	SPDT	On-On	Horizontal Actuator, Gullwing-lead	401-1999-1-ND	.45	.43	.39	1,000	252.79	JS102011SAQN
6	SPDT	On-On	Horizontal Actuator, Gullwing-lead	401-2005-1-ND	.55	.52	.47	4,000	306.32/M	JS102000SAQN
7	DPDT	On-On	Horizontal Actuator, Thru-hole	401-2000-ND‡	.36	.29	.23	—	—	JS202011AQN
7	DP3T	On-On-On	Horizontal Actuator, Thru-hole	401-2003-ND‡	.42	.34	.27	—	—	JS203011AQN
8	DP3T	On-On-On	Vertical Actuator, Thru-hole	401-2004-ND‡	.42	.34	.27	—	—	JS203011CQN
8	DPDT	On-On	Vertical Actuator, Thru-hole	401-2001-ND‡	.36	.29	.23	—	—	JS202011CQN
9	DPDT	On-On	Vertical Actuator, Gullwing-lead	401-2002-1-ND	.40	.37	.34	1,000	218.59	JS202011SCQN
<b>JSM Series — Sub-Miniature</b>										
10	SPDT	Mom-On	Horizontal Actuator, Gullwing-lead	401-2007-1-ND	2.10	1.94	1.78	1,800	1162.82/M	JSM08022SAQNR
11	SPDT	On-Mom	Horizontal Actuator, Gullwing-lead	401-2006-1-ND	2.10	1.94	1.78	1,800	1162.82/M	JSM08022SAQNL
12	SPDT	Mom-On	Horizontal Actuator, Gullwing-lead	401-2009-1-ND	1.96	1.81	1.66	1,800	1082.19/M	JSM08011SAQNR
12	SPDT	On-Mom	Horizontal Actuator, Gullwing-lead	401-2008-1-ND	1.96	1.81	1.66	1,800	1082.19/M	JSM08011SAQNL
13	SP3T	Mom-On-On	Horizontal Actuator, Gullwing-lead	401-2010-1-ND	1.96	1.81	1.66	1,800	1082.53/M	JSM07011SAQNL
14	SP3T	Mom-Off-Mom	Horizontal Actuator, Gullwing-lead	401-2011-1-ND	2.02	1.87	1.72	2,300	1121.19/M	JSM05000SAQN
<b>PCM Series — Ultra Miniature</b>										
15	SPDT	On-On	Horizontal Actuator, Gullwing-lead	401-2016-1-ND	.74	.69	.63	3,500	411.90/M	PCM12SMTR
15	SP3T	On-On-On	Horizontal Actuator, Gullwing-lead	401-2017-1-ND	.78	.73	.67	3,500	432.72/M	PCM13SMTR

† For Tape and Reel part number, change 1-ND to 2-ND. ‡ Tube

Digi-Reel® Most SMT cutdown parts are available on a Digi-Reel®. For Digi-Reel part number, change 1-ND to 6-ND or CT-ND to DKR-ND. See Digi-Key® Services on page 2 for additional information.

2276 (EU2011-EN) **Free shipping on orders over €65!** All prices in euro and include duties.