



Slide Switches - EG Series



Specifications: • Initial Contact Resistance: Less than 20mΩ • Withstand Voltage: 500VAC for 1 minute between any terminal and frame • Operating Temperature: -20°C – 70°C • Life: 10,000 cycles minimum • Contact: Silver plated copper alloy • Timing: Non-shorting contacts

Dimensions in mm

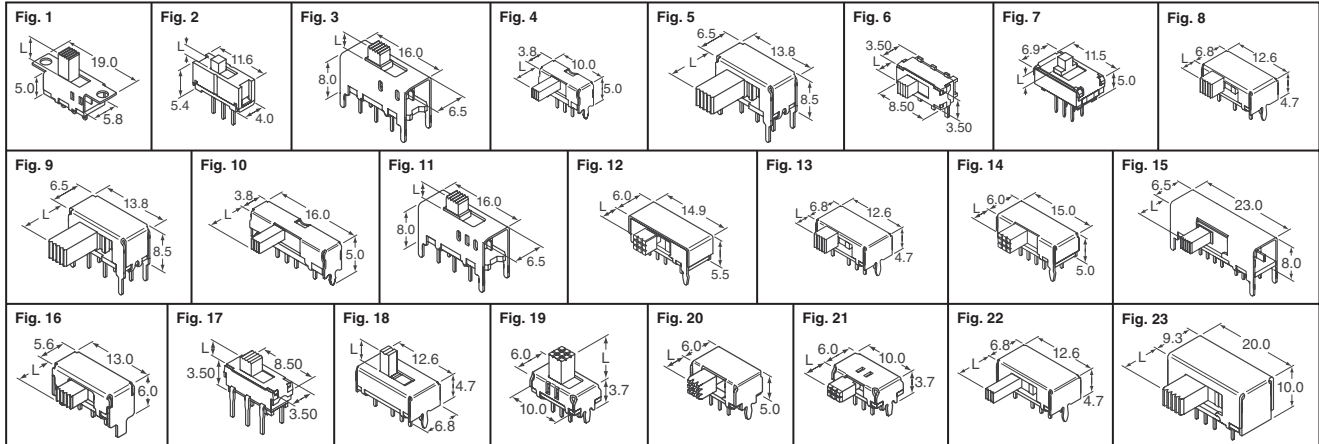


Fig.	Rating	Circuit	Dimension L Inch (mm)	Switching Function	Digi-Key Part No.	1	10	100	250	E-Switch Part No.
1	0.2A @ 30VDC	SPDT	.16 (4.0)	On-On	EG1901-ND	.58	.53	.46	.37	EG1201
1	0.2A @ 30VDC	SPDT	.22 (5.6)	On-On	EG1902-ND	.58	.53	.46	.37	EG1201A
2	0.2A @ 30VDC	DPDT	.08 (2.0)	On-On	EG1903-ND	.58	.53	.46	.37	EG1218
3	0.3A @ 30VDC	DPDT	.12 (3.0)	On-On	EG1904-ND	.81	.73	.63	.50	EG2201
3	0.2A @ 30VDC	DPDT	.24 (6.0)	On-On	EG1905-ND	.81	.73	.63	.50	EG2201A
4	0.2A @ 30VDC	SPDT	.20 (5.0)	On-On	EG1906-ND	.58	.53	.46	.37	EG1213
5	0.5A @ 15VDC	SPDT	.35 (9.0)	On-On	EG2585-ND	.74	.66	.57	.46	EG1224
6	0.3A @ 30VDC	SPDT	.08 (2.0)	On-On	EG1847-ND	.74	.66	.57	.46	EG1270
7	0.1A @ 12VDC	DPDT	.08 (2.0)	On-On	EG1907-ND	.81	.73	.63	.50	EG2209
7	0.1A @ 12VDC	DPDT	.16 (4.0)	On-On	EG1908-ND	.96	.86	.74	.59	EG2209A
8	0.2A @ 30VDC	DPDT	.14 (3.5)	On-On	EG1909-ND	.74	.66	.57	.46	EG2215
9	0.2A @ 30VDC	DPDT	.35 (9.0)	On-On	EG4367-ND	.81	.73	.63	.50	EG2219
10	0.2A @ 30VDC	SP3T	.20 (5.0)	On-On-On	EG2485-ND	.74	.66	.57	.46	EG1313
11	0.2A @ 30VDC	DP3T	.12 (3.0)	On-On-On	EG1910-ND	.74	.66	.57	.46	EG2301
11	0.2A @ 30VDC	DP3T	.24 (6.0)	On-On-On	EG1944-ND	.81	.73	.63	.50	EG2301A
12	0.1A @ 12VDC	DP3T	.16 (4.0)	On-On-On	EG1911-ND	.78	.69	.60	.48	EG2308
12	0.1A @ 12VDC	DP3T	.24 (6.0)	On-On-On	EG1945-ND	.81	.73	.63	.50	EG2308A
13	0.2A @ 30VDC	DP3T	.14 (3.5)	On-On-On	EG1913-ND	.58	.53	.46	.37	EG2315
14	0.2A @ 30VDC	4PDT	.24 (6.0)	On-On	EG1949-ND	1.32	1.19	1.02	.82	EG4208A
14	0.2A @ 30VDC	4PDT	.16 (4.0)	On-On	EG1914-ND	1.40	1.25	1.08	.86	EG4208
15	0.2A @ 30VDC	4P3T	.20 (5.0)	On-On-On	EG1915-ND	1.55	1.38	1.19	.96	EG4319
16	0.2A @ 30VDC	SPDT	.12 (3.0)	On-On	EG1916-ND	.58	.53	.46	.37	EG1206
16	0.2A @ 30VDC	SPDT	.24 (6.0)	On-On	EG1917-ND	.57	.51	.44	.35	EG1206A
17	0.3A @ 30VDC	SPDT	.08 (2.0)	On-On	EG1918-ND	.66	.60	.52	.41	EG1271
17	0.3A @ 30VDC	SPDT	.17 (4.4)	On-On	EG1919-ND	.66	.60	.52	.41	EG1271A
18	0.2A @ 30VDC	DP3T	.16 (4.0)	On-On-On	EG1920-ND	.88	.79	.68	.55	EG2305
18	0.2A @ 30VDC	DP3T	.08 (2.0)	On-On-On	EG1921-ND	.88	.79	.68	.55	EG2305A
19	0.2A @ 30VDC	DPDT	.16 (4.0)	On-On	EG1940-ND	.74	.66	.57	.46	EG2207
20	0.2A @ 30VDC	DPDT	.16 (4.0)	On-On	EG1941-ND	.74	.66	.57	.46	EG2208
20	0.2A @ 30VDC	DPDT	.24 (6.0)	On-On	EG1942-ND	.74	.66	.57	.46	EG2208A
21	0.2A @ 30VDC	DPDT	.16 (4.0)	On-On	EG1943-ND	.74	.66	.57	.46	EG2211
21	0.2A @ 30VDC	DPDT	.08 (2.0)	On-On	EG2486-ND	.74	.66	.57	.46	EG2211A
22	0.2A @ 30VDC	DP3T	.24 (6.0)	On-On-On	EG1946-ND	.68	.61	.53	.42	EG2310
22	0.2A @ 30VDC	DP3T	.16 (4.0)	On-On-On	EG1947-ND	.78	.69	.60	.48	EG2310A
23	0.2A @ 30VDC	DP3T	.28 (7.0)	On-On-On	EG1948-ND	.81	.73	.63	.50	EG2322

SMT Miniature Slide Switches - EG Series

Dimensions in mm

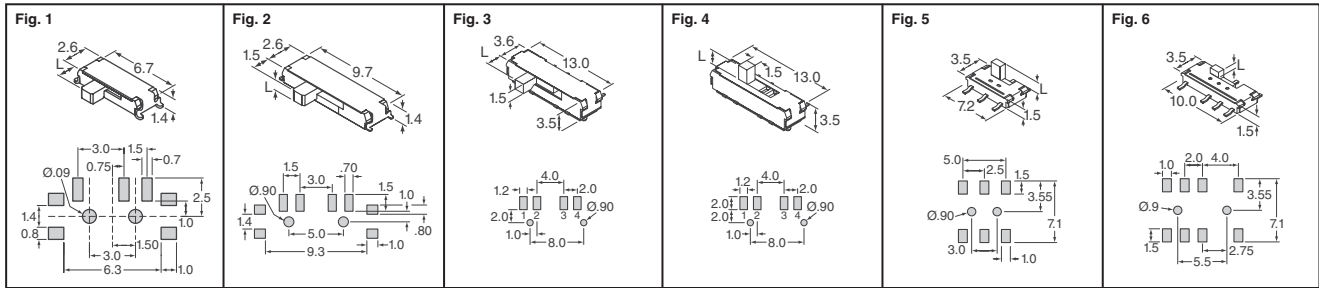


Fig.	Rating	Circuit	Dimension L Inch (mm)	Switching Function	Digi-Key Part No.	Cut Tape Price Each				Digi-Key Part No.	Tape and Reel		E-Switch Part No.
						1	10	100	250		Qty.	Pricing	
1	0.3A @ 4VDC	SPDT	.06 (1.5)	On-On	EG2586CT-ND	1.19	.96	.86	.73	EG2586TR-ND	3,300	412.26/M	EG1257
2	0.3A @ 4VDC	SP3T	.04 (1.1)	On-On-On	EG4628CT-ND	.49	.40	.36	.31	EG4628TR-ND	3,000	169.69/M	EG1300A
2	0.3A @ 4VDC	SP3T	.016 (0.4)	On-On-On	EG4629CT-ND	.36	.33	.29	.24	EG4629TR-ND	3,000	166.43/M	EG1300B
3	0.3A @ 6VDC	SP3T	.08 (2.0)	On-On-On	EG4630CT-ND	.47	.38	.34	.29	EG4630TR-ND	1,200	181.15/M	EG1380A
4	0.3A @ 6VDC	SP3T	.08 (2.0)	On-On-On	EG4631CT-ND	.47	.38	.34	.29	EG4631TR-ND	900	196.76	EG1381A
5	0.3A @ 4VDC	DPDT	.04 (1.0)	On-On	EG4632CT-ND	.53	.43	.39	.33	EG4632TR-ND	1,500	204.37/M	EG1390A
5	0.3A @ 4VDC	DPDT	.08 (2.0)	On-On	EG4633CT-ND	.53	.43	.39	.33	EG4633TR-ND	1,200	204.37/M	EG1390B
6	0.3A @ 4VDC	DP3T	.04 (1.0)	On-On-On	EG4634CT-ND	.49	.40	.36	.31	EG4634TR-ND	1,500	189.28/M	EG1400A
6	0.3A @ 4VDC	DP3T	.1 (2.5)	On-On-On	EG4635CT-ND	.51	.41	.37	.32	EG4635TR-ND	1,200	197.40/M	EG1400B

Digi-Reel® Most SMT cutdown parts are available on a Digi-Reel®. For Digi-Reel part number, change 1-ND to 6-ND or CT-ND to DKR-ND. See Digi-Key® Services on page 2 for additional information.

2272 (EU2011-EN) Free shipping on orders over €65! All prices in euro and include duties.