

Dimensions in mm

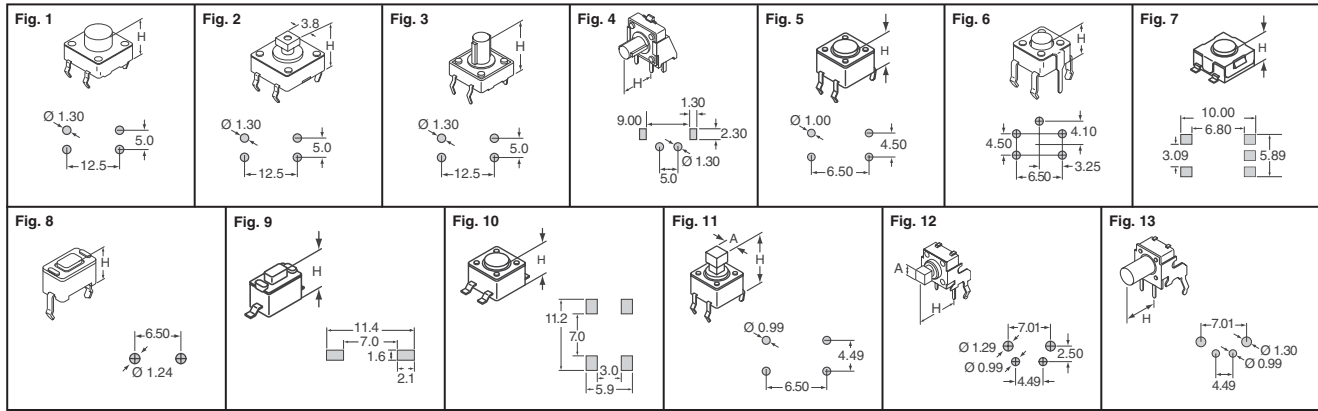


Fig.	Description	Dim. H mm	Digi-Key Part No.	Pricing 1 10	Tyco Electronics Part No.
1	Tact Switch 12mm, SPST, Momentary, 160GF	4.3	450-1131-ND	.30 2.65	FSM100
	Tact Switch 12mm, SPST, 160GF	7.49	450-1157-ND	.57 5.08	FSM101
2	Tact Switch 12mm, SPST, SQ Actuator, 160GF	7.3	450-1158-ND	.31 2.73	FSM103
3	Tact Switch 12mm w/ Ext. Actuator, SPST, 160GF	12	450-1128-ND	.34 3.00	FSM102
4	Tact Switch 12mm, Rt. Angle w/ Post Act., SPST, 160GF	11.15	450-1127-ND	.69 6.18	FSM104
5	Tact Switch 6mm, 160GF, Black	4.3	450-1649-ND	.09 .80	FSM2JH
	Tact Switch 6mm, 160GF, Black	5.0	450-1650-ND	.07 .64	FSM4JH
	Tact Switch 6mm, 160GF, Black	7.0	450-1652-ND	.13 1.16	FSM6JH
	Tact Switch 6mm, 160GF, Black	9.5	450-1653-ND	.09 .78	FSM8JH
	Tact Switch 6mm, 160GF, Black	7.3	450-1647-ND	.13 1.16	FSM10JH
	Tact Switch 6mm, 160GF, Black	13.0	450-1642-ND	.07 .69	FSM14JH
6	Tact Switch 6mm, 160GF, Black	17.0	450-1643-ND	.18 1.60	FSM16JH
	Tact Switch 6mm, 160GF, Black	8.51	450-1644-ND	.13 1.16	FSM18JH
	Tact Switch 6mm, 160GF, Black	4.3	450-1645-ND	.14 1.23	FSM1JH
	Tact Switch 6mm, 160GF, Black	7.0	450-1651-ND	.16 1.36	FSM5JH
	Tact Switch 6mm, 160GF, Black	8.00	450-1753-ND	.14 1.23	FSM11JH
	Tact Switch 6mm w/ Ground, 160GF, Black	9.5	450-1688-ND	.16 1.36	FSM7JH
7	Tact Switch SPST w/ Ground, SMT, 160GF, Black	3.09	450-1132-ND	.51 4.55	FSM1LP
	Tact Switch SPST w/ Ground, SMT, 260GF, Red	3.09	450-1139-ND	.63 5.57	FSM1LPA

Fig.	Description	Dim. H mm	Digi-Key Part No.	Pricing 1 10	Tyco Electronics Part No.
8	Tact Switch 6x3.5mm, SPST, 130GF	5.0	450-1646-ND	.41 3.68	FSMH
	Tact Switch 6x3.5mm, SPST, 130GF	4.3	450-1665-ND	.33 2.94	FSMCH
9	Tact Switch 6x3.5mm, SPST, SMT, 180GF	4.57	450-1140-ND	.17 1.55	FSMSM
10	Tact Switch 6mm, SMT, 160GF, Black	4.3	450-1130-ND	.20 1.78	FSM2JSA
	Tact Switch 6mm, SMT, 160GF, Black	5.0	450-1129-ND	.37 3.30	FSM4JSA
	Tact Switch 6mm, SMT, 160GF, Blue	7.0	450-1133-ND	.47 4.20	FSM6JSA
11	Tact Switch 6mm, Extended Actuator, Black, A=2.42mm	7.51	450-1654-ND	.31 2.79	FSMCDH
	Tact Switch 6mm, Extended Actuator, Black, A=2.80mm	7.51	450-1655-ND	.20 1.77	FSMCDAH
12	Tact Switch 6mm, Right Angle, 160GF, A=2.42mm	6.35	450-1177-ND	.16 1.40	FSMRACD
	Tact Switch 6mm, Right Angle, 160GF, A=2.80mm	6.35	450-1648-ND	.33 2.94	FSMRACDAH
13	Tact Switch 6mm, Right Angle, 160GF	3.15	450-1656-ND	.30 2.64	FSMRA1JH
	Tact Switch 6mm, Right Angle, 160GF	3.86	450-1662-ND	.12 1.06	FSMRA2JH
	Tact Switch 6mm, Right Angle, 160GF	5.85	450-1657-ND	.25 2.22	FSMRA3JH
	Tact Switch 6mm, Right Angle, 160GF	8.35	450-1658-ND	.17 1.54	FSMRA4JH
13	Tact Switch 6mm, Right Angle, 160GF	6.15	450-1659-ND	.30 2.64	FSMRA5JH
	Tact Switch 6mm, Right Angle, 160GF	6.85	450-1660-ND	.33 2.94	FSMRA6JH
	Tact Switch 6mm, Right Angle, 160GF	11.85	450-1661-ND	.15 1.32	FSMRA7JH

Rocker Switches



TRD Series: Robust Rocker Switches designed for a round hole mounting. All switches are black in color and come complete with mounting nut. Current: 3A @ 125VAC (Silver) and 0.4VA Maximum @ 20VDC (Gold)

PR Series: Current: 16A @ 125VAC 1/3HP, 10A @ 250VAC 1/2HP

PRC Series: Single and double pole power rocker switches designed for snap in panel mounting rated 20A @ 125VAC or 10A @ 250VAC with an IP66 sealed construction offering protection against dust and liquids.

Dimensions in mm

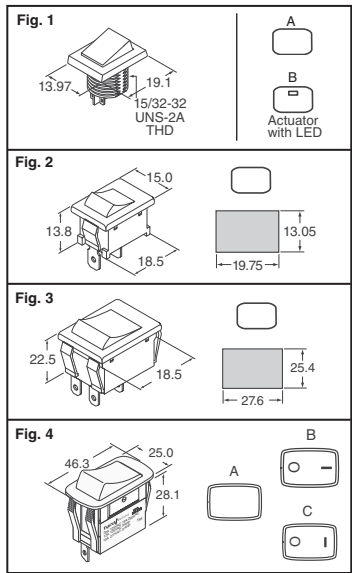


Fig.	Circuit	Function	Terminal	Features	Current	Digi-Key Part No.	Price Each 1 10 25 50	Tyco Electronics Part No.
TRD Series — Round Mounting Hole Rocker Switches								
1A	DPDT	On-On	.110" QC	Black Actuator - No Marking	3A - Silver	450-1391-ND	10.92 9.97 9.40 8.63	TRD23N10QC04
	DPDT	On-On	Solder	Black Actuator - No Marking	3A - Silver	450-1390-ND	12.13 11.07 10.43 9.58	TRD23N10WL04
	DPDT	On-On	Solder	Black Actuator - No Marking	4VA - Gold	450-1014-ND	15.40 14.05 13.24 12.16	TRD21N10WL
	SPDT	On-On	Solder	Black Actuator - No Marking	3A - Silver	450-1389-ND	7.65 6.99 6.58 6.05	TRD13D10WL04
	SPDT	On-On	Solder	Black Actuator - No Marking	4VA - Gold	450-1016-ND	7.39 6.75 6.36 5.84	TRD11D10WL
	SPDT	Mom-Off-Mom	Solder	Black Actuator - No Marking	4VA - Gold	450-1154-ND	17.61 16.07 15.14 13.91	TRD11G10WL
1B	SPDT	On-Off-Mom	Solder	Black Actuator - No Marking	4VA - Gold	450-1015-ND	16.20 14.78 13.93 12.79	TRD11H10WL
	SPDT	On-On	Solder	Black Actuator - Red LED	3A - Silver	450-1466-ND	13.42 12.25 11.54 10.60	TRD13D10WLLR204
	SPDT	On-On	Solder	Black Actuator - Red/Green LED	3A - Silver	450-1393-ND	19.64 17.92 16.88 15.51	TRD13D10WLLR2504
SPDT	On-On	Solder	Black Actuator - Green LED	3A - Silver	450-1394-ND	15.99 14.59 13.75 12.63	TRD13D10WLLR504	
PR Series — Miniature Snap-In Rocker Switches								
2	SPST	On-Off	QC	Black Actuator - No Marking	16A - Silver	450-1040-ND	1.18 1.05 .95 .92	PRASA1-16F-BB000
	SPDT	On-Off-On	QC	Black Actuator - No Marking	16A - Silver	450-1028-ND	1.10 .98 .89 .86	PRASD3-16F-BB000
	SPST	On-Off	QC	Red LED Window - No Marking	16A - Silver	450-1041-ND	1.77 1.57 1.43 1.37	PRASC1-16F-BB000
—	SPST	On-Off	QC	Euro-Style - Black - No Marking	16A - Silver	450-1038-ND	1.41 1.25 1.14 1.10	PRBSA1-16F-BB000
3	DPDT	On-On	QC	Black Actuator - No Marking	16A - Silver	450-1026-ND	2.89 2.57 2.34 2.25	PRDDD1-16F-BB000
	DPST	On-Off	QC	Black Actuator - No Marking	16A - Silver	450-1027-ND	2.07 1.85 1.68 1.61	PRDDA1-16F-BB000
	DPDT	On-Off-On	QC	Black Actuator - No Marking	16A - Silver	450-1021-ND	3.79 3.37 3.06 2.94	PRDDD3-16F-BB000
PRC Series — IP66 Snap-In Rocker Switches								
4A	SPST	On-Off	Solder	Black Actuator - No Marking	20A - N/A	450-1669-ND	3.33 2.96 2.69 2.58	PRCSA1-20L-BR000
	SPST	On-Off	QC	Black Actuator - No Marking	20A - N/A	450-1670-ND	3.38 3.00 2.73 2.62	PRCSA1-20F-BR000
	SPST	On-Off	Solder	Black Actuator - No Marking	20A - N/A	450-1673-ND	3.33 2.96 2.69 2.58	PRCSA1-20L-BB00W
	SPST	On-Off	QC	Black Actuator - No Marking	20A - N/A	450-1676-ND	3.38 3.00 2.73 2.62	PRCSA1-20F-BB00W
	DPST	On-Off	Screw	Black Actuator - No Marking	20A - N/A	450-1679-ND	5.40 4.80 4.36 4.19	PRCDA1-20S-BB000
	DPST	On-Off	Solder	Black Actuator - No Marking	20A - N/A	450-1680-ND	4.82 4.28 3.89 3.73	PRCDA1-20L-BR000
4B	DPST	On-Off	QC	Black Actuator - No Marking	20A - N/A	450-1681-ND	4.92 4.37 3.97 3.81	PRCDA1-20F-BR000
	DPST	On-Off	Solder	Black Actuator - No Marking	20A - N/A	450-1684-ND	4.82 4.28 3.89 3.73	PRCDA1-20L-BB00W
	DPST	On-Off	QC	Black Actuator - No Marking	20A - N/A	450-1687-ND	4.92 4.37 3.97 3.81	PRCDA1-20F-BB00W
	SPST	On-Off	Screw	Black Actuator	20A - White	450-1667-ND	3.68 3.28 2.98 2.86	PRCSA1-20S-BB0CW
	SPST	On-Off	Solder	Black Actuator	20A - White	450-1672-ND	3.38 3.00 2.73 2.62	PRCSA1-20L-BB0BW
	SPST	On-Off	QC	Black Actuator	20A - White	450-1675-ND	3.63 3.23 2.94 2.82	PRCSA1-20F-BB0BW
4C	DPST	On-Off	Screw	Black Actuator	20A - White	450-1678-ND	5.40 4.80 4.36 4.19	PRCDA1-20S-BB0CW
	DPST	On-Off	QC	Black Actuator	20A - White	450-1686-ND	5.17 4.59 4.18 4.01	PRCDA1-20F-BB0BW
	SPST	On-Off	Screw	Black Actuator	20A - White	450-1666-ND	3.68 3.28 2.98 2.86	PRCSA1-20S-BB0CW
	SPST	On-Off	Solder	Black Actuator	20A - White	450-1671-ND	3.38 3.00 2.73 2.62	PRCSA1-20L-BB0CW
	DPST	On-Off	QC	Black Actuator	20A - White	450-1674-ND	3.43 3.05 2.77 2.66	PRCSA1-20F-BB0CW
	DPST	On-Off	Screw	Black Actuator	20A - White	450-1677-ND	5.40 4.80 4.36 4.19	PRCDA1-20S-BB0CW
DPST	On-Off	Solder	Black Actuator	20A - White	450-1682-ND	4.84 4.30 3.91 3.75	PRCDA1-20L-BB0CW	

Free shipping on orders over €65! All prices in euro and include duties. (EU2011-EN) 2213