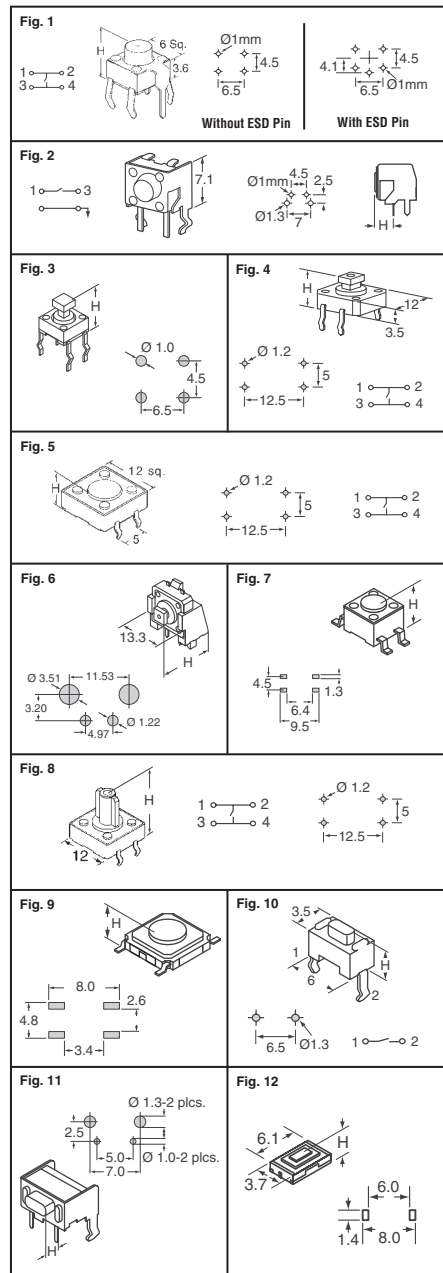


C&K Momentary Tact Switches
PTS Series



Fig.	Description	gF	Dim.H (mm)	Digi-Key Part No.	Pricing			Tape and Reel		C&K Part No.	
					1	25	100	Qty.	Pricing		
PTS Momentary Tact Switches (Non-Washable)											
1	6mm, with ESD pin	130	4.3	CKN9096-ND	.12	2.51	8.46	—	—	PTS645TL43 LFS	
	6mm, w/o ESD pin	130	4.3	CKN9098-ND	.09	1.88	6.34	—	—	PTS645SL43 LFS	
	6mm, with ESD pin	200	4.3	CKN9083-ND	.12	2.51	8.46	—	—	PTS645TH43 LFS	
	6mm, w/o ESD pin	260	4.3	CKN9090-ND	.09	1.88	6.34	—	—	PTS645SK43 LFS	
	6mm, with ESD pin	130	5.0	CKN9095-ND	.12	2.51	8.46	—	—	PTS645TL50 LFS	
	6mm, w/o ESD pin	130	5.0	CKN9092-ND	.09	1.88	6.34	—	—	PTS645SL50 LFS	
	6mm, w/o ESD pin	200	5.0	CKN9093-ND	.09	1.88	6.34	—	—	PTS645SH50 LFS	
	6mm, with ESD pin	200	5.0	CKN9081-ND	.12	2.51	8.46	—	—	PTS645TH50 LFS	
	6mm, w/o ESD pin	260	5.0	CKN9082-ND	.09	1.88	6.34	—	—	PTS645SK50 LFS	
	6mm, with ESD pin	130	7.0	CKN9086-ND	.12	2.51	8.46	—	—	PTS645TL70 LFS	
	6mm, w/o ESD pin	130	7.0	CKN9071-ND	.09	1.88	6.34	—	—	PTS645SL70 LFS	
	6mm, w/o ESD pin	200	7.0	CKN9074-ND	.09	1.88	6.34	—	—	PTS645SH70 LFS	
	6mm, w/o ESD pin	130	9.5	CKN9078-ND	.09	1.88	6.34	—	—	PTS645SL95 LFS	
	6mm, w/o ESD pin	200	9.5	CKN9091-ND	.09	1.88	6.34	—	—	PTS645SH95 LFS	
	6mm, w/o ESD pin	260	9.5	CKN10051-ND	.12	2.43	7.69	—	—	PTS645SK95 LFS	
	2	6mm, Right Angle	130	3.15	CKN9094-ND	.13	2.91	9.78	—	—	PTS645VL31 LFS
		6mm, Right Angle	200	3.15	CKN9118-ND	.18	3.67	11.61	—	—	PTS645VH31 LFS
		6mm, Right Angle	260	3.85	CKN10053-ND	.18	3.67	11.61	—	—	PTS645VK39 LFS
6mm, Right Angle		130	3.85	CKN9103-ND	.13	2.91	9.78	—	—	PTS645VL39 LFS	
6mm, Right Angle		200	3.85	CKN9115-ND	.18	3.67	11.61	—	—	PTS645VH39 LFS	
6mm, Right Angle		130	5.85	CKN9116-ND	.18	3.67	11.61	—	—	PTS645VL58 LFS	
6mm, Right Angle		200	5.85	CKN9120-ND	.18	3.67	11.61	—	—	PTS645VH58 LFS	
6mm, Right Angle		130	6.1	CKN10052-ND	.21	4.36	13.81	—	—	PTS645VL61 LFS	
6mm, Right Angle		130	8.35	CKN9123-ND	.18	3.67	11.61	—	—	PTS645VL83 LFS	
6mm, Right Angle		200	8.35	CKN9121-ND	.18	3.67	11.61	—	—	PTS645VH83 LFS	
6mm, Right Angle		130	15.85	CKN9075-ND	.13	2.91	9.78	—	—	PTS645VL15 LFS	
6mm, Right Angle		200	15.85	CKN9079-ND	.13	2.91	9.78	—	—	PTS645VH15 LFS	
3	6mm, w/o ESD pin	130	7.3	CKN9072-ND	.10	2.16	7.27	—	—	PTS645SJK73 LFS	
	6mm, w/o ESD pin	200	7.3	CKN9073-ND	.10	2.16	7.27	—	—	PTS645SJK73 LFS	
4	12mm, w/o ESD pin	130	7.3	CKN9141-ND	.35	6.99	22.13	—	—	PTS125SJM73 LFS	
	12mm, w/o ESD pin	260	7.3	CKN9142-ND	.35	6.99	22.13	—	—	PTS125SJK73 LFS	
5	12mm, w/o ESD pin	160	4.3	CKN9100-ND	.21	4.63	15.60	—	—	PTS125SM43 LFS	
	12mm, w/o ESD pin	260	4.3	CKN9139-ND	.29	5.85	18.52	—	—	PTS125SK43 LFS	
	12mm, w/o ESD pin	160	8.5	CKN9140-ND	.29	5.85	18.52	—	—	PTS125SM85 LFS	
	12mm, w/o ESD pin	260	8.5	CKN9151-ND	.29	5.85	18.52	—	—	PTS125SK85 LFS	
	12mm, Right Angle Square Act.	160	6.2	CKN9101-ND	.29	6.28	21.15	—	—	PTS125VJM73 LFS	
7	6mm, w/o ESD pin	160	4.3	CKN9112CT-ND†	.17	3.47	10.99	1,000	104.09	PTS645SM43SMTR LFS	
	6mm, w/o ESD pin, SMT	260	4.3	CKN9084CT-ND†	.19	4.05	13.01	1,000	104.09	PTS645SK43SMTR LFS	
	6mm, w/o ESD pin	130	5.0	CKN9088CT-ND†	.22	4.86	15.61	1,000	138.78	PTS645SL50SMTR LFS	
	6mm, w/o ESD pin	200	5.0	CKN9085CT-ND†	.21	4.57	14.69	1,000	117.47	PTS645SH50SMTR LFS	
	6mm, w/o ESD pin	260	5.0	CKN9087CT-ND†	.21	4.57	14.69	1,000	117.47	PTS645SK50SMTR LFS	
8	12mm, w/o ESD pin	160	12.0	CKN9138-ND	.29	5.85	18.52	—	—	PTS125SM12 LFS	
	5.25mm, Square SMT	160	0.8	CKN9125CT-ND†	.40	7.98	25.27	3,000	239.41/M	PTS525SM08SMTR LFS	
	5.25mm, Square SMT	260	0.8	CKN10229CT-ND†	.43	9.98	36.58	3,000	239.41/M	PTS525SK08SMTR LFS	
9	5.25mm, Square SMT	160	1.5	CKN9104CT-ND†	.40	7.98	25.27	3,000	239.41/M	PTS525SM10SMTR LFS	
	6 x 3.5mm, w/o ESD pin	130	5.0	CKN9102-ND	.18	3.88	13.09	—	—	PTS635SL50 LFS	
	6 x 3.5mm, w/o ESD pin	130	4.3	CKN9097-ND	.20	4.35	14.67	—	—	PTS635SL43 LFS	
10	6 x 3.5mm, Right Angle	130	3.85	CKN9099-ND	.18	3.88	13.09	—	—	PTS635VL39 LFS	
	6 x 3.5mm, Right Angle	130	3.15	CKN9080-ND	.18	3.88	13.09	—	—	PTS635VL31 LFS	
	6 x 3.5mm, Right Angle	200	3.85	CKN9089-ND	.18	3.88	13.09	—	—	PTS635VH39 LFS	
	6 x 3.5mm, Right Angle	200	3.15	CKN9077-ND	.18	3.88	13.09	—	—	PTS635VH31 LFS	
	6.1 x 3.7mm, w/o ESD pin, SMT	130	2.5	CKN9119CT-ND†	.38	7.53	23.86	3,000	226.02/M	PTS635SL25SMTR LFS	
6.1 x 3.7mm, w/o ESD pin, SMT	260	2.5	CKN9076CT-ND†	.40	8.79	28.25	3,000	226.02/M	PTS635SK25SMTR LFS		

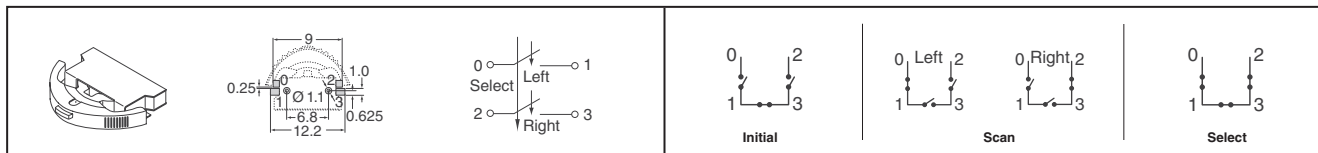
† Cut Tape ♦ For Tape and Reel part number, change CT-ND to TR-ND.



TPC Tri-Directional Scan Switches



Dimensions in mm



The TPC is a side-actuated miniature switch with normally open contacts providing tactile feedback. Rotation of the actuator closes two individual contacts (left or right), while pushing down in central position simultaneously closes the two contacts.

Applications:
Mobile phones, pagers, personal data assistants (PDAs), handheld electronic devices, digital cameras, camcorders and communication equipment

Specifications:
• Maximum Voltage: 50V • Minimum/Maximum Current: 1mA/50mA
• Life Expectancy: 100,000 operations • Bounce: <10ms • Operating Temperature: -40°C - 125°C

Description	Digi-Key Part No.	Cut Tape Price Each			Digi-Key Part No.	Tape and Reel		C&K Part No.
		1	25	100		Qty.	Pricing	
SMT Switch with Select	401-1264-1-ND	1.79	1.66	1.52	401-1264-2-ND	2,000	991.82/M	TPC1133GLFG

Digi-Reel® Most SMT cutdown parts are available on a Digi-Reel®. For Digi-Reel part number, change 1-ND to 6-ND or CT-ND to DKR-ND. See Digi-Key® Services on page 2 for additional information.

2206 (EU2011-EN) **Free shipping on orders over €65! All prices in euro and include duties.**