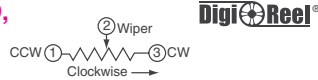
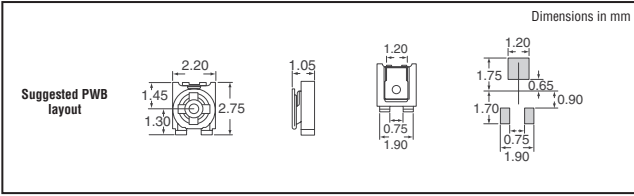


BOURNS® Trimmer Potentiometers

SERIES 3302 — 2mm SMD, Trimming Potentiometer 3302W, X



3 Terminals for Automatic Trimming Adjustment Low Profile



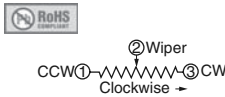
Feature:	• Single-Turn Cermet / Open Frame
Characteristics:	• Resistance Tolerance: ±25% standard
	• Contact Resistance Variation: 5% maximum
	• Resolution: Infinite • Adjustment Angle: 260° ±20°
	• Power Rating (50VDC maximum): 70°C = 0.15W
	• Temperature Range: -40°C ~ 85°C
	• Temperature Coefficient: ±250ppm/°C
	• TRS maximum: ±5%

Res. (Ω)	Digi-Key Part No.	Digi-Key Part No.
2K	3302W-202E□□-ND	3302X-502E□□-ND
5K	3302W-502E□□-ND	3302X-103E□□-ND
10K	3302W-103E□□-ND	3302X-203E□□-ND
20K	3302W-203E□□-ND	

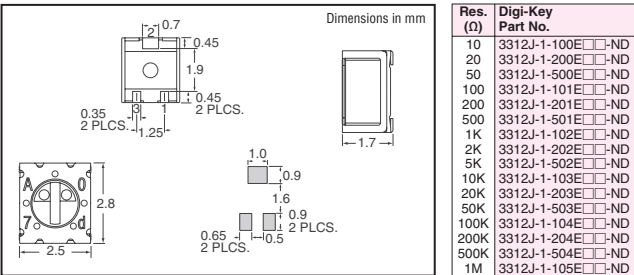
Series	Part No.	Cut Tape Pricing			Part No.	Tape and Reel Pricing 3,000
		1	10	100		
3302W	Add "CT-ND"	.40	3.30	30.40	Add "TR-ND"	198.27/M
3302X	Add "CT-ND"	.40	3.30	30.40	Add "TR-ND"	198.27/M

◆ RoHS Compliant

SERIES 3312J — 2mm Square SMD Trimming Potentiometer

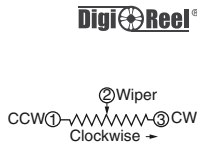


Features: • Single-Turn / Sealed • Resistance Tolerance: ±20% • Resolution: Infinite • Operating Temperature Range: -55°C ~ 125°C • Temperature Coefficient: ±100ppm/°C • Mechanical Stop: 285° nominal

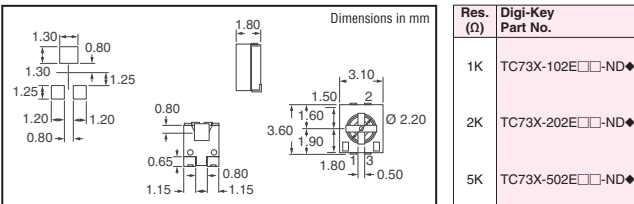


Series	Part No.	Cut Tape Pricing			Part No.	Tape and Reel Pricing 500
		1	10	100		
3312J	Add "CT-ND"	2.08	17.84	154.65	Add "TR-ND"	484.92

SERIES TC73 — Surface Mount 3mm Single-Turn Top Adjust Carbon



Characteristics: • Resistance Tolerance: ±30% • Adjustment Angle: 260° • Power Rating: .05W • Temperature Range: -25°C ~ 85°C • Temperature Coefficient: ±250 ppm/°C • Rotational Life: 20 turns • Rotational Torque: 10-150g-cm maximum



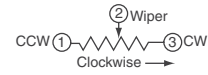
Series	Part No.	Cut Tape Pricing		
		1	10	100
TC73X	Add "CT-ND"	.17	1.36	11.90

◆ RoHS Compliant

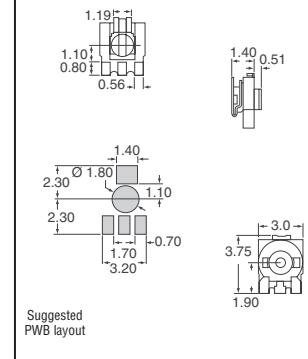
SERIES 3303 — 3mm SMD, Trimming Potentiometer

Characteristics:

- Resistance Tolerance: ±25% standard
- Contact Resistance Variation: 5% maximum
- Resolution: Infinite • Adjustment Angle: 260° ±20°
- Power Rating (50VDC maximum): 70°C = 0.15W
- Temperature Range: -40°C ~ 125°C
- Temperature Coefficient: ±250ppm/°C
- TRS maximum: ±5%

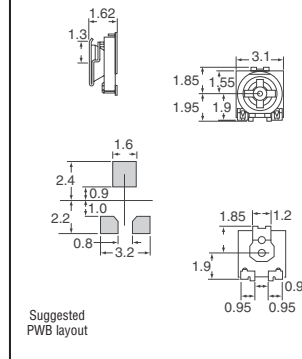


3303C — 3-Terminal Both Sides Adjust



Suggested PWB layout

3303W, X — Open Frame for Reflow Soldering 3-Terminal Low Profile



Suggested PWB layout

Res. (Ω)	Digi-Key Part No.	Digi-Key Part No.	Digi-Key Part No.
500	—	—	3303X-501E□□-ND
5K	—	3303W-502E□□-ND	—
10K	—	3303W-103E□□-ND	—
20K	—	3303W-203E□□-ND	—
50K	3303C-503E□□-ND	—	—
100K	—	3303W-104E□□-ND	3303X-104E□□-ND
1M	3303C-105E□□-ND	—	—

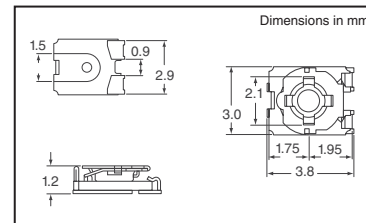
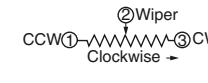
Series	Part No.	Cut Tape Pricing			Part No.	Tape and Reel Pricing 2,000
		1	10	100		
3303C	Add "CT-ND"	.52	4.34	39.90	Add "TR-ND"	260.22/M
3303W	Add "CT-ND"	.25	2.07	19.00	Add "TR-ND"	123.92/M
3303X	Add "CT-ND"	.25	2.07	19.00	Add "TR-ND"	123.92/M

◆ RoHS Compliant

SERIES TC33X — 3mm SMD Trimming Potentiometer

Characteristics:

- Resistance Tolerance: ±25% standard
- Contact Resistance Variation: 5% maximum
- Resolution: Essentially Infinite
- Adjustment Angle: 260° ±20°
- Power Rating (50VDC maximum): 70°C = 0.1W
- Temperature Range: -40°C ~ 120°C
- Temperature Coefficient: ±250ppm/°C



Series	Part No.	Cut Tape Pricing			Part No.	Tape and Reel Pricing 2,500
		1	10	100		
TC33X	Add "CT-ND"	.19	1.59	13.88	Add "TR-ND"	86.74/M

◆ RoHS Compliant

Digi-Reel® Most SMT cutdown parts are available on a Digi-Reel®. For Digi-Reel part number, change 1-ND to 6-ND or CT-ND to DKR-ND. See Digi-Key® Services on page 2 for additional information.

2062 (EU2011-EN) Free shipping on orders over €65! All prices in euro and include duties.