

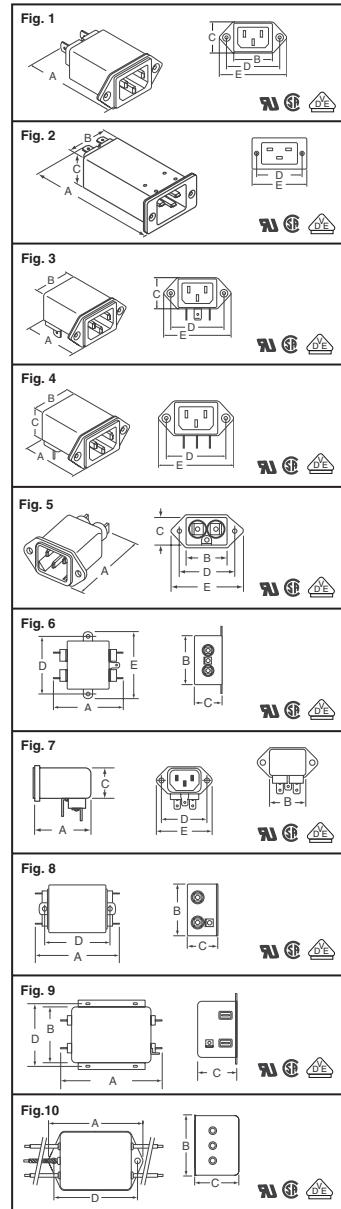
Medical Grade Filters

EAH Series: This is a new generation of compact medical RFI filters with an IEC socket. A new design in internal structure and manufacturing process makes the series cost effective. This health care series supersedes the H series by providing superior differential mode performance while still maintaining a maximum leakage current of 2 micro amps.
EBH Series: A compact medical RFI filter with IEC socket, the EBH series is a cost effective alternative to the H series. Electrically the EBH provides enhanced differential mode performance compared to both the EAH and the H series. These filters provide RFI common and differential modes performance while still allowing medical equipment to meet UL leakage current specifications for medical and dental equipment.
EJH Series: The 1 - 15 Amp versions are flange mounted and mechanically equivalent to the EAH/EBH series. The performance has been enhanced to meet the needs for more attenuation. It has an improved high frequency EMI shielding and larger contact area for the panel ground. These medical filters are designed to provide common and differential mode performance while maintaining the UL leakage requirements for medical and dental equipment. The EJH series also includes a 20 Amp

version that uses the inlet IEC 320/C20.
H Series: The H Series was developed specifically for health care applications. These products are suitable for uses in both patient care equipment and non-patient care equipment. Their extremely low leakage current allows compliance with UL2601 and CSA 22.2 health care specifications.
HT Series: This series of power line filters provides superior common-mode and premium differential-mode attenuation to RFI noise on the frequency range from 10kHz - 30MHz, for IEC60601 and UL2601 patient-connected equipment, as well as all other electronic equipment that cannot tolerate any leakage current.
HQ Series: The HQ series power line filters provide the highest available common-mode and differential-mode attenuation to RFI noise in the frequency range from 10kHz - 30MHz, for IEC 60601 and UL2601 patient-connected equipment, as well as all other electronic equipment that cannot tolerate any leakage current.
MV Series: This series answers the need for a medical filter to help equipment comply with increasing noise sources in medical applications while still meeting leakage current requirements of UL2601.

Fig.	Rated Current 120V (Amps)	Termination	Dimension - mm					Digi-Key Part No.	Price Each			Corcom Part No.
			A	B	C	D	E		1	25	100	
EAH Series — For UL544 Health Care Equipment — RoHS Compliant												
1	6	Faston	54.61	28.45	22.86	40.01	50.29	CCM1700-ND	8.72	7.94	6.72	6EAH1
EBH Series — For UL544 Health Care Equipment — RoHS Compliant												
1	10	Faston	54.61	28.45	22.86	40.01	50.29	CCM1669-ND	11.37	10.35	8.76	10EBH1
EJH Series — Enhanced Performance Compact RFI Filter IEC Connector Package												
1	1	Straight	54.61	30.48	24.38	40.00	51.76	CCM1236-ND	6.76	6.15	5.21	1EJH1
	3	Straight	54.61	30.48	24.38	40.00	51.76	CCM1237-ND	6.26	5.70	4.83	3EJH1
	6	Straight	54.61	30.48	24.38	40.00	51.76	CCM1238-ND	5.87	5.34	4.52	6EJH1
	10	Straight	54.61	30.48	24.38	40.00	51.76	CCM1239-ND	6.26	5.70	4.83	10EJH1
	15	Straight	54.61	30.48	24.38	40.00	51.76	CCM1240-ND	5.96	5.43	4.60	15EJH1
2	20	Straight	79.38	34.79	29.99	42.01	53.00	CCM1241-ND	10.72	9.76	8.26	20EJH1
3	1	Right Angle	39.12	28.70	24.38	40.00	51.76	CCM1242-ND	6.92	6.30	5.34	1EJH2
	3	Right Angle	39.12	28.70	24.38	40.00	51.76	CCM1243-ND	5.56	4.06	4.28	3EJH2
	10	Right Angle	39.12	28.70	24.38	40.00	51.76	CCM1245-ND	5.91	5.39	4.56	10EJH2
4	1	PCB	39.12	28.70	24.38	40.00	51.76	CCM1247-ND	8.03	7.31	6.19	1EJHP
	3	PCB	39.12	28.70	24.38	40.00	51.76	CCM1248-ND	6.71	6.11	5.17	3EJHP
	6	PCB	39.12	28.70	24.38	40.00	51.76	CCM1249-ND	6.66	6.06	5.13	6EJHP
	10	PCB	39.12	28.70	24.38	40.00	51.76	CCM1250-ND	7.29	6.64	5.62	10EJHP
	15	PCB	45.47	28.70	24.38	40.00	51.76	CCM1251-ND	7.24	6.59	5.58	15EJHP
H Series — Line Filters for UL2601 Healthcare Equipment — RoHS Compliant												
5	6	Faston, Straight	55.90	30.20	20.60	40.01	50.3	CCM1607-ND	10.85	9.88	8.36	6EH4
	10	Faston, Straight	66.5	30.2	20.6	40.01	50.3	CCM1671-ND	11.76	10.71	9.06	10EH4
6	3	Faston	57.2	46.1	16.7	53.98	64.2	CCM1758-ND	8.87	8.08	6.84	3EH1
	6	Faston	57.2	46.1	16.7	53.98	64.2	CCM1608-ND	8.95	8.15	6.90	6EH1
	10	Faston	57.2	46.1	16.7	53.98	64.2	CCM1670-ND	9.35	8.51	7.21	10EH1
	6	Right Angle	39.4	30.2	21.6	40.01	50.3	CCM1706-ND	11.12	10.12	8.57	6EH9
HT Series — High Performance RFI Power Line Filter For Medical Equipment — RoHS Compliant												
8	6	Faston	90.4	54.6	46.0	74.63	—	CCM1606-ND	29.67	27.01	22.85	6EHT1
	10	Faston	119.1	57.7	45.7	103.2	—	CCM1672-ND	44.54	40.54	34.30	10EHT1
9	15	Faston	138.4	79.2	55.4	88.9	—	CCM1821-ND	60.04	54.64	46.24	15EHT1
HQ Series — Highest Performance RFI Filter For Medical Equipment — RoHS Compliant												
8	3	Faston	97.8	52.6	45.2	74.63	—	CCM1695-ND	35.16	32.00	27.08	3EHQ1
10	3	Wire Lead	84.8	52.6	45.2	74.63	—	CCM1826-ND	34.32	31.23	26.43	3EHQ3
MV Series — Multipurpose Medical Filter for Power Line Noise Protection — RoHS Compliant												
8	6	Faston	98.0	52.8	38.9	74.63	—	CCM1712-ND	23.06	20.99	17.76	6MV1
	10	Faston	98.0	52.8	38.9	74.63	—	CCM1642-ND	26.07	23.73	20.08	10MV1
	20	Faston	132.8	85.9	38.9	95.25	—	CCM1824-ND	52.59	47.86	40.50	20MV1

◆ RoHS Compliant



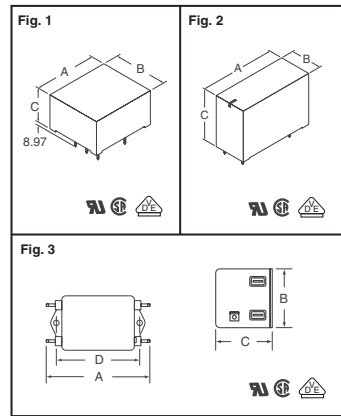
E

PC Board Mountable Filters

EDP Series: These RFI power line filters provide enhanced differential-mode performance for applications requiring more line-to-line protection. **EOP Series:** A general purpose filter which is effective in removing both common and differential-mode noise for susceptibility applications. **X Series:** This series was designed to bring most digital

equipment (including switching power supplies) into compliance with FCC Part 15J, Class B conducted emission limits. **Z Series:** A design that brings most digital equipment (including switching power supplies) into compliance with EN55022 Level B, (as well as FCC Part 15J, Class B) conducted emission limits.

Fig.	Rated Current 120V (Amps)	Termination	Dimension - mm				Digi-Key Part No.	Price Each			Corcom Part No.
			A	B	C	D		1	25	100	
EDP Series — For General Purpose Applications											
1	1	PCB	36.6	31.5	24.15	—	CCM1364-ND	12.72	11.58	9.80	1EDP
	3	PCB	36.6	31.5	24.15	—	CCM1365-ND	11.60	10.56	8.94	3EDP
	10	PCB	36.6	31.5	24.15	—	CCM1742-ND	12.57	11.45	9.69	10EDP
EOP Series — For General Purpose Applications											
1	1	PCB	36.6	31.5	19.9	—	CCM1366-ND	10.46	9.52	8.06	1EOP
	3	PCB	36.6	31.5	19.9	—	CCM1367-ND	9.37	8.53	7.22	3EOP
	10	PCB	36.6	31.5	19.9	—	CCM1673-ND	9.91	9.03	7.64	10EOP
X Series — For Emission Control Applications											
2	3	PCB	66.80	28.7	41.15	—	CCM1370-ND	16.60	15.12	12.79	3EXP
	6	PCB	66.29	28.7	44.45	—	CCM1371-ND	25.61	23.31	19.72	6EXP
Z Series — For Emission Control Applications											
3	1	PCB	66.3	28.7	41.1	—	CCM1682-ND	20.74	18.87	15.97	1EZP
	2	PCB	66.3	28.7	44.4	—	CCM1368-ND	20.69	18.83	15.93	2EZP
	3	PCB	66.3	28.7	44.4	—	CCM1369-ND	20.74	18.87	15.97	3EZP
	3	Faston	89.9	52.8	33.3	74.63	CCM1696-ND	24.02	21.87	18.50	3EZ1



(Continued)