



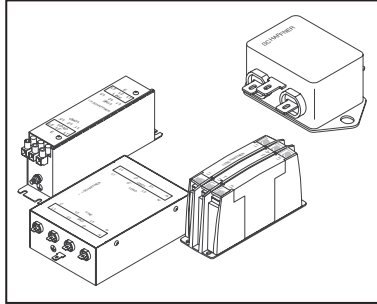
EMC / RFI Filters

Single-Phase Filters

Single-phase EMC/EMI filters for chassis or DIN rail mounting are key for EMC compliance of higher power office equipment and low to medium power industrial applications. A broad selection of electrical and mechanical features allows a specific choice and deployment for countless applications.

Three-Phase Filters

EMC/EMI Three-phase filter solutions for industrial applications like motor drives and machine tools. These types of EMC/EMI filters are also suitable for mainframe computer systems, large uninterruptible power supplies, medical equipment, wind turbine power stations and a vast array of other three-phase power electronics.



Rated Current @ 40°C (25°F) (A)	Leakage Current @ 230VAC/50Hz (µA)	Inductance L (mH)	Digi-Key Part No.	Price Each 1 100	Schaffner Part No.
1 Phase					
FN 350 Series					
8 (9.0)	4.9 mA	—	817-1129-ND	102.63	FN350-8-29
12 (13.5)	4.9 mA	—	817-1130-ND	102.63	FN350-12-29
20 (22.4)	4.9 mA	—	817-1131-ND	102.63	FN350-20-29
30 (33.6)	5.4 mA	—	817-1132-ND	143.60	FN350-30-33
55 (61.5)	11.0 mA	—	817-1134-ND	200.76	FN350-55-33
FN 402 Series					
0.5 (0.6)	373	40	817-1181-ND	7.68	FN402-0.5-02
1 (1.2)	373	10	817-1182-ND	7.68	FN402-1-02
1.6 (1.9)	373	6	817-1183-ND	7.68	FN402-1.6-02
2.5 (3)	373	2	817-1184-ND	8.66	FN402-2.5-02
4 (4.7)	373	1	817-1185-ND	8.66	FN402-4-02
6.5 (7.5)	373	1	817-1186-ND	8.66	FN402-6.5-02
FN 405 Series					
0.5 (0.6)	373	24	817-1187-ND	9.62	FN405-0.5-02
1 (1.2)	373	10	817-1188-ND	9.62	FN405-1-02
3 (3.6)	373	2	817-1189-ND	9.62	FN405-3-02
6 (6.9)	373	0.8	817-1190-ND	9.62	FN405-6-02
10 (11.5)	373	0.5	817-1191-ND	10.57	FN405-10-02
FN 406 Series					
0.5 (0.6)	373	24	817-1192-ND	9.86	FN406-0.5-02
1 (1.2)	373	12	817-1193-ND	9.86	FN406-1-02
3 (3.6)	373	2.5	817-1194-ND	9.86	FN406-3-02
6 (6.9)	373	0.78	817-1195-ND	9.86	FN406-6-02
8.4 (9.6)	373	0.3	817-1196-ND	9.86	FN406-8.4-02
FN 610 Series					
1 (1.15)	190	3	817-1197-ND	9.30	FN610-1-06
3 (3.4)	190	2	817-1198-ND	9.30	FN610-3-06
6 (6.9)	190	0.75	817-1199-ND	9.30	FN610-6-06
10 (11.5)	190	0.45	817-1200-ND	9.30	FN610-10-06
20 (23)	190	0.48	817-1201-ND	17.78	FN610-20-06
30 (34)	190	0.61	817-1202-ND	35.75	FN610-30-03
3 (3.4)	2	2	817-1203-NDΔ	9.30	FN610B-3-06
6 (6.9)	2	0.75	817-1204-NDΔ	9.30	FN610B-6-06
10 (11.5)	2	0.45	817-1205-NDΔ	9.30	FN610B-10-06
20 (23)	2	0.48	817-1206-NDΔ	17.32	FN610B-20-06
FN 612 Series					
1 (1.15)	190	3	817-1207-ND	13.12	FN612-1-06
3 (3.4)	190	2	817-1208-ND	13.12	FN612-3-06
6 (6.9)	190	0.75	817-1209-ND	13.12	FN612-6-06
10 (11.5)	190	0.45	817-1210-ND	13.12	FN612-10-06
20 (23)	190	0.48	817-1211-ND	17.98	FN612-20-06
20 (23)	190	0.48	817-1212-ND	18.85	FN612-20-10
30 (34)	190	0.61	817-1213-ND	39.14	FN612-30-03
30 (34)	190	0.61	817-1214-ND	37.65	FN612-30-10
80 (92)	450	0.2	817-1215-ND	79.97	FN612-80-24
FN 660 Series					
3 (3.4)	190	2	817-1217-ND	16.92	FN660-3-06
6 (6.9)	190	0.75	817-1218-ND	13.54	FN660-6-06
10 (11.5)	190	0.45	817-1219-ND	16.92	FN660-10-06
16 (18.4)	190	0.44	817-1221-ND	27.49	FN660-16-06
16 (18.4)	190	0.44	817-1222-ND	29.03	FN660-16-10
20 (23)	190	0.48	817-1223-ND	39.31	FN660-20-03
20 (23)	190	0.48	817-1224-ND	33.98	FN660-20-06
20 (23)	190	0.48	817-1225-ND	37.18	FN660-20-10

Rated Current @ 40°C (25°F) (A)	Leakage Current @ 230VAC/50Hz (µA)	Inductance L (mH)	Digi-Key Part No.	Price Each 1 100	Schaffner Part No.
6 (6.9)	2	0.75	817-1226-NDΔ	16.92	FN660B-6-06
10 (11.5)	2	0.45	817-1227-NDΔ	16.92	FN660B-10-06
16 (18.4)	2	0.44	817-1228-NDΔ	27.49	FN660B-16-06
20 (23)	2	0.48	817-1229-NDΔ	33.98	FN660B-20-06
FN 670 Series					
1.6 (1.8)	190	7.2	817-1230-ND	21.92	FN670-1.8-06
2.5 (3)	190	12.2	817-1231-ND	22.68	FN670-3-06
5 (6)	190	7	817-1232-ND	22.68	FN670-6-06
8.0 (10)	190	10.4	817-1233-ND	43.94	FN670-10-06
FN 680 Series					
1 (1.2)	410	22.5	817-1234-ND	25.38	FN680-1-06
2.5 (3)	410	16	817-1235-ND	27.11	FN680-2.5-06
4 (4.8)	1900	8	817-1236-ND	30.58	FN682-4-06
6.5 (7.8)	1900	4.1	817-1237-ND	43.94	FN682-6.5-06
10 (12)	1900	4	817-1239-ND	56.80	FN682-10-06
FN 2010 Series					
1 (1.15)	0.74 mA	12	817-1240-ND	10.36	FN2010-1-06
1 (1.15)	0.74 mA	12	817-1241-ND	11.00	FN2010-1-07
3 (3.45)	0.74 mA	2.5	817-1242-ND	10.36	FN2010-3-06
3 (3.45)	0.74 mA	2.5	817-1243-ND	11.00	FN2010-3-07
6 (6.9)	0.74 mA	1	817-1244-ND	10.36	FN2010-6-06
10 (11.5)	0.74 mA	0.8	817-1246-ND	10.36	FN2010-10-06
12 (13.8)	0.74 mA	0.7	817-1248-ND	10.36	FN2010-12-06
12 (13.8)	0.74 mA	0.7	817-1249-ND	11.63	FN2010-12-07
16 (18.4)	0.74 mA	0.7	817-1250-ND	15.21	FN2010-16-06
20 (23)	0.74 mA	0.6	817-1252-ND	15.21	FN2010-20-06
20 (23)	0.74 mA	0.6	817-1253-ND	17.21	FN2010-20-07
20 (23)	0.74 mA	0.6	817-1254-ND	27.82	FN2010-20-08
30 (34.5)	0.87 mA	0.7	817-1255-ND	31.09	FN2010-30-08
FN 2020 Series					
1 (1.5)	0.74 mA	12	817-1258-ND	12.69	FN2020-1-06
3 (3.45)	0.74 mA	2.5	817-1260-ND	12.69	FN2020-3-06
3 (3.45)	0.74 mA	2.5	817-1261-ND	13.32	FN2020-3-07
6 (6.9)	0.74 mA	1	817-1262-ND	12.69	FN2020-6-06
10 (11.5)	0.74 mA	0.8	817-1264-ND	12.69	FN2020-10-06
10 (11.5)	0.74 mA	0.8	817-1265-ND	13.32	FN2020-10-07
12 (13.8)	0.74 mA	0.7	817-1266-ND	12.69	FN2020-12-06
16 (18.4)	0.74 mA	0.65	817-1268-ND	17.98	FN2020-16-06
20 (23)	0.74 mA	0.6	817-1271-ND	16.92	FN2020-20-06
20 (23)	0.74 mA	0.6	817-1272-ND	20.19	FN2020-20-08
30 (34.5)	0.87 mA	0.67	817-1273-ND	34.48	FN2020-30-08
60 (69)	0.87 mA	1	817-1274-ND	96.37	FN2020-60-24
FN 2030 Series					
1 (1.1)	0.34 mA	20	817-1276-ND	7.97	FN2030-1-06
3 (3.4)	0.52 mA	14	817-1281-ND	14.37	FN2030-3-06
4 (4.5)	0.52 mA	14	817-1282-ND	14.37	FN2030-4-06
6 (6.7)	0.73 mA	8	817-1283-ND	14.37	FN2030-6-06
8 (8.9)	0.73 mA	8	817-1284-ND	14.37	FN2030-8-06
10 (11.2)	0.73 mA	8	817-1275-ND	16.27	FN2030-10-06
12 (13.4)	0.87 mA	4	817-1277-ND	5.25	FN2030-12-06
16 (17.9)	0.87 mA	4	817-1278-ND	18.04	FN2030-16-06
20 (22.4)	0.87 mA	4	817-1279-ND	19.74	FN2030-20-06
30 (33.5)	0.87 mA	2	817-1280-ND	32.25	FN2030-30-08
FN 2060 Series					
1 (1.2)	0.734 mA	12	817-1285-ND	17.55	FN2060-1-06
1 (1.2)	0.734 mA	12	817-1286-ND	16.54	FN2060-1-07
3 (3.5)	0.734 mA	2.5	817-1287-ND	16.92	FN2060-3-06
3 (3.5)	0.734 mA	2.5	817-1288-ND	16.54	FN2060-3-07
6 (6.9)	0.734 mA	0.97	817-1289-ND	16.92	FN2060-6-06
6 (6.9)	0.734 mA	0.97	817-1290-ND	16.54	FN2060-6-07
10 (11.5)	0.734 mA	0.8	817-1291-ND	16.92	FN2060-10-06
12 (13.8)	0.734 mA	0.58	817-1293-ND	16.92	FN2060-12-06
16 (18.4)	0.734 mA	0.65	817-1295-ND	32.90	FN2060-16-06
16 (18.4)	0.734 mA	0.65	817-1297-ND	33.79	FN2060-16-08
20 (23)	0.734 mA	0.6	817-1298-ND	33.79	FN2060-20-06
20 (23)	0.734 mA	0.6	817-1299-ND	37.35	FN2060-20-08
30 (34.5)	0.867 mA	0.6	817-1300-ND	54.75	FN2060-30-08
FN 2070 Series					
1 (1.2)	0.734 mA	22	817-1301-ND	18.85	FN2070-1-06
3 (3.5)	0.734 mA	9.8	817-1303-ND	18.85	FN2070-3-06
3 (3.5)	0.734 mA	9.8	817-1304-ND	19.43	FN2070-3-07
6 (6.9)	0.734 mA	7.8	817-1305-ND	25.77	FN2070-6-06
6 (6.9)	0.734 mA	7.8	817-1306-ND	26.15	FN2070-6-07
10 (11.5)	0.734 mA	4.5	817-1307-ND	34.32	FN2070-10-06
12 (13.8)	0.734 mA	3.25	817-1309-ND	34.32	FN2070-12-06

Δ Medical Version

(Continued)

1618 (EU2011-EN) Free shipping on orders over €65! All prices in euro and include duties.