

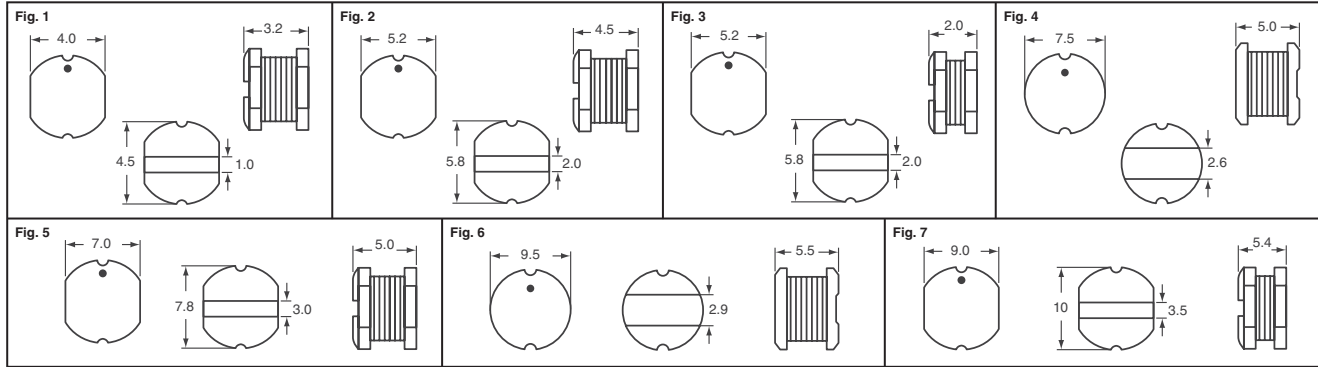


WE-PD2 Series — SMD Power Inductors



Feature: • Industry standard sizes • Operating temperature: -40°C ~ 125°C • Recommended solder profile: (computer, laptop, mobile phones and pagers) • Integrated DC/DC converter • Perfectly suitable for switching regulators with extremely high efficiency (>86%)
Applications: • Switching regulators with low operating voltage

Dimensions in mm



Inductance (µH)	DCR Max. (mΩ)	Rated Current (A)	Digi-Key Part No.	Cut Tape Price Each			Tape and Reel†		Würth Part No.
				1	25	100	Qty.	Pricing	
S-Type — Fig. 1									
1.0	49.00	4.00	732-1249-1-ND	1.43	1.19	1.01	1,500	475.01/M	7447730
1.8	64.00	2.70	732-1394-1-ND	1.43	1.19	1.01	—	—	744773018
2.2	71.00	2.50	732-1250-1-ND	1.43	1.19	1.01	1,500	475.01/M	744773022
3.3	86.00	2.00	732-1251-1-ND	1.43	1.19	1.01	1,500	475.01/M	744773033
4.7	110.00	1.82	732-1252-1-ND	1.43	1.19	1.01	1,500	475.01/M	744773047
5.6	126.00	1.58	732-1395-1-ND	1.43	1.19	1.01	—	—	744773056
6.8	131.00	1.54	732-1253-1-ND	1.43	1.19	1.01	1,500	475.01/M	744773068
8.2	146.00	1.50	732-1254-1-ND	1.43	1.19	1.01	1,500	475.01/M	744773082
10.0	182.00	1.45	732-1255-1-ND	1.43	1.19	1.01	1,500	475.01/M	74477310
12.0	210.00	1.28	732-1256-1-ND	1.43	1.19	1.01	—	—	744773112
18.0	338.00	1.10	732-1257-1-ND	1.43	1.19	1.01	—	—	744773118
22.0	370.00	1.00	732-1258-1-ND	1.43	1.19	1.01	1,500	475.01/M	744773122
33.0	540.00	0.86	732-1259-1-ND	1.43	1.19	1.01	1,500	475.01/M	744773133
47.0	844.00	0.68	732-1261-1-ND	1.43	1.19	1.01	1,500	475.01/M	744773147
56.0	937.00	0.64	732-1262-1-ND	1.43	1.19	1.01	—	—	744773156
68.0	1117.00	0.56	732-1263-1-ND	1.43	1.19	1.01	—	—	744773168
M-Type — Fig. 2									
2.2	41.00	4.60	732-1267-1-ND	1.32	1.10	.94	1,500	440.32/M	744774022
2.7	45.00	4.00	732-1396-1-ND	1.32	1.10	.94	—	—	744774027
3.3	60.00	4.00	732-1265-1-ND	1.32	1.10	.94	1,500	440.32/M	744774033
4.7	71.00	3.00	732-1266-1-ND	1.32	1.10	.94	1,500	440.32/M	744774047
6.8	82.00	2.40	732-1268-1-ND	1.32	1.10	.94	1,500	440.32/M	744774068
10.0	100.00	2.20	732-1269-1-ND	1.32	1.10	.94	1,500	440.32/M	74477410
12.0	110.00	2.00	732-1270-1-ND	1.32	1.10	.94	1,500	440.32/M	744774112
18.0	150.00	1.45	732-1271-1-ND	1.32	1.10	.94	—	—	744774118
22.0	180.00	1.28	732-1272-1-ND	1.32	1.10	.94	1,500	440.32/M	744774122
27.0	200.00	1.19	732-1273-1-ND	1.32	1.10	.94	1,500	440.32/M	744774127
33.0	230.00	1.09	732-1274-1-ND	1.32	1.10	.94	1,500	440.32/M	744774133
39.0	320.00	0.94	732-1275-1-ND	1.32	1.10	.94	—	—	744774139
47.0	370.00	0.86	732-1276-1-ND	1.32	1.10	.94	1,500	440.32/M	744774147
68.0	460.00	0.64	732-1277-1-ND	1.32	1.10	.94	—	—	744774168
100.0	650.00	0.57	732-1278-1-ND	1.32	1.10	.94	1,500	440.32/M	74477420
MS-Type — Fig. 3									
0.27	5.30	8.20	732-1308-1-ND	1.16	.97	.83	2,000	387.44/M	74477450027
0.56	9.50	6.50	732-1309-1-ND	1.16	.97	.83	2,000	387.44/M	74477450056
0.82	14.00	5.40	732-1310-1-ND	1.16	.97	.83	2,000	387.44/M	74477450082
2.20	36.00	3.60	732-1313-1-ND	1.16	.97	.83	2,000	387.44/M	7447745022
3.30	49.00	3.00	732-1314-1-ND	1.16	.97	.83	2,000	387.44/M	7447745033
3.90	54.00	2.80	732-1315-1-ND	1.16	.97	.83	—	—	7447745039
4.70	65.00	2.50	732-1316-1-ND	1.16	.97	.83	2,000	387.44/M	7447745047

Inductance (µH)	DCR Max. (mΩ)	Rated Current (A)	Digi-Key Part No.	Cut Tape Price Each			Tape and Reel†		Würth Part No.
				1	25	100	Qty.	Pricing	
5.60	78.00	2.30	732-1317-1-ND	1.16	.97	.83	2,000	387.44/M	7447745056
6.20	90.00	2.10	732-1318-1-ND	1.16	.97	.83	2,000	387.44/M	7447745062
10.00	130.00	1.70	732-1320-1-ND	1.16	.97	.83	2,000	387.44/M	7447745100
L-Type — Fig. 4									
3.30	20.00	4.60	732-1281-1-ND	1.53	1.28	1.09	—	—	744775033A
4.70	30.00	3.70	732-1282-1-ND	1.53	1.28	1.09	—	—	744775047A
6.80	40.00	3.20	732-1283-1-ND	1.53	1.28	1.09	—	—	744775068A
L-Type — Fig. 5									
12.0	80.00	2.18	732-1285-1-ND	1.53	1.28	1.09	—	—	744775112
18.0	100.00	1.89	732-1286-1-ND	1.53	1.28	1.09	—	—	744775118
22.0	110.00	1.76	732-1287-1-ND	1.53	1.28	1.09	500	318.87	744775122
39.0	160.00	1.25	732-1289-1-ND	1.53	1.28	1.09	—	—	744775139
47.0	180.00	1.17	732-1290-1-ND	1.53	1.28	1.09	500	318.87	744775147
68.0	280.00	0.99	732-1291-1-ND	1.53	1.28	1.09	—	—	744775168
100.0	430.00	0.77	732-1292-1-ND	1.53	1.28	1.09	500	318.87	74477520
XL-Type — Fig. 6									
1.2	20.00	5.50	732-1293-1-ND	1.74	1.46	1.24	—	—	744776012A
2.2	20.00	5.40	732-1294-1-ND	1.74	1.46	1.24	—	—	744776022A
3.3	20.00	5.00	732-1295-1-ND	1.74	1.46	1.24	800	557.78	744776033A
4.7	40.00	4.00	732-1296-1-ND	1.74	1.46	1.24	—	—	744776047A
XL-Type — Fig. 7									
10.0	60.00	2.98	732-1298-1-ND	1.74	1.46	1.24	—	—	74477610
12.0	70.00	2.72	732-1299-1-ND	1.74	1.46	1.24	—	—	744776112
18.0	90.00	2.36	732-1300-1-ND	1.74	1.46	1.24	500	363.07	744776118
22.0	100.00	2.04	732-1301-1-ND	1.74	1.46	1.24	500	363.07	744776122
27.0	110.00	1.95	732-1397-1-ND	1.74	1.46	1.24	—	—	744776127
33.0	120.00	1.78	732-1302-1-ND	1.74	1.46	1.24	500	363.07	744776133
39.0	140.00	1.62	732-1303-1-ND	1.74	1.46	1.24	500	363.07	744776139
47.0	170.00	1.45	732-1304-1-ND	1.74	1.46	1.24	500	363.07	744776147
56.0	190.00	1.36	732-1398-1-ND	1.74	1.46	1.24	—	—	744776156
68.0	220.00	1.19	732-1305-1-ND	1.74	1.46	1.24	500	363.07	744776168
82.0	250.00	1.11	732-1399-1-ND	1.64	1.37	1.16	—	—	744776182
100.0	350.00	1.02	732-1306-1-ND	1.74	1.46	1.24	500	363.07	74477620

† For Tape and Reel part number, change 1-ND to 2-ND.

732-1656-ND (744722) WE-TPC/PD/PD2 Series Kit (See Digi-Key website for contents of kit)..... **37.17**
732-1645-ND (744720) WE-PD/PD2/PD3/PD4 Series Kit (See Digi-Key website for contents of kit)..... **99.13**

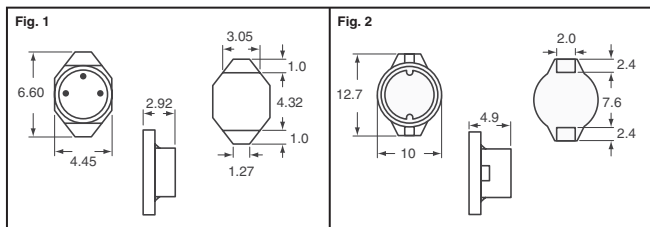
WE-PD3 Series — Shielded SMD Power Inductors



Features:
 • Magnetically shielded version which results in a low leakage field • Extremely low profile • Low inherent losses • High storage capacity • Operating temperature: -40°C ~ 125°C • Recommended solder profile: Reflow

Applications:
 • EMI filter • Perfectly suitable for switching regulators with extremely high efficiency

Dim. in mm



Inductance (µH)	DCR Max. (mΩ)	Rated Current (A)	Digi-Key Part No.	Cut Tape Price Each			Tape and Reel†		Würth Part No.
				1	25	100	Qty.	Pricing	
S-Type — Fig. 1									
1.0	0.040	3.0	732-1402-1-ND	1.31	1.10	.93	500	272.61	7445101
2.2	0.050	1.80	732-1403-1-ND	1.31	1.10	.93	500	272.61	74451022
3.3	0.055	1.60	732-1404-1-ND	1.31	1.10	.93	500	272.61	74451033
4.7	0.060	1.40	732-1405-1-ND	1.31	1.10	.93	500	272.61	74451047
6.8	0.065	1.20	732-1406-1-ND	1.31	1.10	.93	500	272.61	74451068
10.0	0.075	1.00	732-1407-1-ND	1.31	1.10	.93	500	272.61	7445110
22.0	0.110	0.70	732-1409-1-ND	1.31	1.10	.93	1,000	436.18	74451122
33.0	0.190	0.60	732-1410-1-ND	1.31	1.10	.93	500	272.61	74451133
47.0	0.230	0.50	732-1411-1-ND	1.31	1.10	.93	500	272.61	74451147
L-Type — Fig. 2									
4.7	0.040	2.70	732-1412-1-ND	1.31	1.10	.93	600	327.14	7445404

† For Tape and Reel part number, change 1-ND to 2-ND.

Free shipping on orders over €65! All prices in euro and include duties. (EU2011-EN) 1545