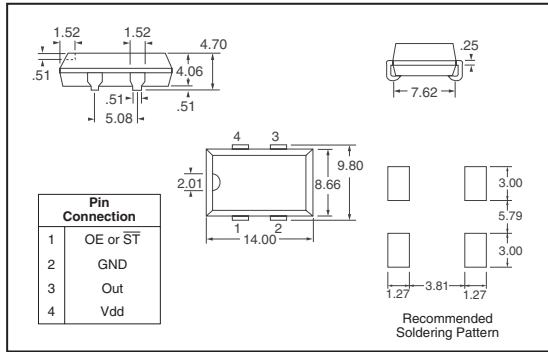




SG615 Series Surface Mount Quartz Crystal Oscillators



Specifications:	SG-615P	SG-615PTJ	SG-615PH	SG-615PCV	SG-615PCG
Supply Voltage	5V±.5V			2.7V - 5.5V	2.7V - 3.6V
Storage Temperature	-55°C - 125°C				
Operating Temperature	-20°C - 70°C		-10°C - 70°C	-40°C - 85°C	
Frequency Stability	Parts ending in MB ±50ppm, MC ±100ppm				
Current Consumption	23mA Max.	35mA Max.		50mA Max.	12mA Max.
Output Disable Current	12mA Max.	28mA Max.	20mA Max.	27mA Max.	10mA Max.
Oscillation Start-up Time	4ms Max.	10ms Max.			12ms Max.
Duty					
CMOS	40% - 60%	—	40% - 60%	35% - 60%	45% - 55%
TTL	40% - 60%	45% - 55%	—		
Output Voltage					
VOH	Vcc -.4V Min.	2.4V Min.	Vcc -.4VMin.	Vcc -.5V	Vcc -.4VMin.
VOL	.4V Max.				
Output Enable / Disable Input Volt.					
VIH	2V Min.	3.5V Min.	2V Min.	.7V Min.	70% Vcc Min.
VIL	.8V Max.	1.5V Max.	.8V Max.	.2V Max.	20% Vcc Max.
Output Fall Time					
CMOS	8ns Max.	—	7ns Max.	4ns Max.	
TTL	8ns Max.	5ns Max.	—		

D

Frequency (MHz)	Digi-Key Part No.	Cut Tape Price Each			Tape and Reel†		Epson Part No.
		1	10	50	Qty.	Pricing	
SG-615P (CMOS, TTL compatible type)							
1.54400	SE2217CT-ND	4.20	3.61	2.65	1,000	1601.60	SG-615P 1.5440MCO
1.84320	SE2201CT-ND	4.20	3.61	2.65	1,000	1601.60	SG-615P 1.8432MCO
2.00000	SE2202CT-ND	4.20	3.61	2.65	1,000	1601.60	SG-615P 2.0000MCO
2.04800	SE2218CT-ND	4.20	3.61	2.65	1,000	1601.60	SG-615P 2.0480MCO
2.45760	SE2203CT-ND	4.20	3.61	2.65	1,000	1601.60	SG-615P 2.4576MCO
3.07200	SE2219CT-ND	4.20	3.61	2.65	1,000	1601.60	SG-615P 3.0720MCO
3.57900	SE2222CT-ND	4.20	3.61	2.65	1,000	1601.60	SG-615P 3.579545MCO
3.68640	SE2204CT-ND	4.20	3.61	2.65	1,000	1601.60	SG-615P 3.6864MCO
4.00000	SE2205CT-ND	4.20	3.61	2.65	1,000	1601.60	SG-615P 4.0000MCO
5.00000	SE2224CT-ND	4.20	3.61	2.65	1,000	1601.60	SG-615P 5.0000MCO
6.00000	SE2207CT-ND	4.20	3.61	2.65	1,000	1601.60	SG-615P 6.0000MCO
6.14400	SE2226CT-ND	4.20	3.61	2.65	1,000	1601.60	SG-615P 6.1440MCO
7.37200	SE2227CT-ND	4.20	3.61	2.65	1,000	1601.60	SG-615P 7.3728MCO
8.19200	SE2228CT-ND	4.20	3.61	2.65	1,000	1601.60	SG-615P 8.1920MCO
9.83000	SE2229CT-ND	4.20	3.61	2.65	1,000	1601.60	SG-615P 9.8300MCO
10.00000	SE2209CT-ND	4.20	3.61	2.65	1,000	1601.60	SG-615P 10.0000MCO
11.05900	SE2232CT-ND	4.20	3.61	2.65	1,000	1601.60	SG-615P 11.0592MCO
12.28800	SE2233CT-ND	4.20	3.61	2.65	1,000	1601.60	SG-615P 12.2880MCO
14.31818	SE2211CT-ND◆	4.20	3.61	2.65	—	—	SG-615P 14.31818MCO
14.74560	SE3619CT-ND	4.20	3.61	2.65	250	600.60	SG-615P 14.7456MCO
16.00000	SE2212CT-ND	4.20	3.61	2.65	1,000	1601.60	SG-615P 16.0000MCO
18.43200	SE2213CT-ND	4.20	3.61	2.65	1,000	1601.60	SG-615P 18.4320MCO
18.86900	SE2238CT-ND	4.20	3.61	2.65	1,000	1601.60	SG-615P 18.8696MCO
19.66000	SE2239CT-ND	4.20	3.61	2.65	1,000	1601.60	SG-615P 19.6608MCO
20.00000	SE2214CT-ND	4.20	3.61	2.65	1,000	1601.60	SG-615P 20.0000MCO
20.48000	SE2240CT-ND	4.20	3.61	2.65	1,000	1601.60	SG-615P 20.4800MCO
22.11800	SE2241CT-ND	4.20	3.61	2.65	1,000	1601.60	SG-615P 22.1184MCO
24.00000	SE2215CT-ND	4.20	3.61	2.65	1,000	1601.60	SG-615P 24.0000MCO
25.00000	SE3620CT-ND	4.67	4.00	2.94	250	666.67	SG-615P 25.0000MB3
25.00000	SE2242CT-ND	4.20	3.61	2.65	1,000	1601.60	SG-615P 25.0000MCO
SG-615P (CMOS, TTL compatible type) — RoHS Compliant							
1.54400	SER2217CT-ND	4.20	3.61	2.65	1,000	1601.60	SG-615P 1.5440MCO:ROHS
1.84320	SER2201CT-ND	4.20	3.61	2.65	1,000	1601.60	SG-615P 1.8432MCO:ROHS
2.00000	SER2202CT-ND	4.20	3.61	2.65	1,000	1601.60	SG-615P 2.0000MCO:ROHS
2.04800	SER2218CT-ND	4.20	3.61	2.65	1,000	1601.60	SG-615P 2.0480MCO:ROHS
2.45760	SER2203CT-ND	4.20	3.61	2.65	1,000	1601.60	SG-615P 2.4576MCO:ROHS
3.07200	SER2219CT-ND	4.20	3.61	2.65	1,000	1601.60	SG-615P 3.0720MCO:ROHS
3.68640	SER2204CT-ND	4.20	3.61	2.65	1,000	1601.60	SG-615P 3.6864MCO:ROHS
4.00000	SER2205CT-ND	4.20	3.61	2.65	1,000	1601.60	SG-615P 4.0000MCO:ROHS
5.00000	SER2224CT-ND	4.20	3.61	2.65	1,000	1601.60	SG-615P 5.0000MCO:ROHS
6.00000	SER2207CT-ND	4.20	3.61	2.65	1,000	1601.60	SG-615P 6.0000MCO:ROHS
6.14400	SER2226CT-ND	4.20	3.61	2.65	1,000	1601.60	SG-615P 6.1440MCO:ROHS

Frequency (MHz)	Digi-Key Part No.	Cut Tape Price Each			Tape and Reel†		Epson Part No.
		1	10	50	Qty.	Pricing	
7.37280	SER2227CT-ND	4.20	3.61	2.65	1,000	1601.60	SG-615P 7.3728MCO:ROHS
8.19200	SER2228CT-ND	4.20	3.61	2.65	1,000	1601.60	SG-615P 8.1920MCO:ROHS
9.83000	SER2229CT-ND	4.20	3.61	2.65	1,000	1601.60	SG-615P 9.8300MCO:ROHS
10.00000	SER2209CT-ND	4.20	3.61	2.65	1,000	1601.60	SG-615P 10.0000MCO:ROHS
11.05920	SER2232CT-ND	4.20	3.61	2.65	1,000	1601.60	SG-615P 11.0592MCO:ROHS
12.00000	SER2210CT-ND	4.20	3.61	2.65	1,000	1601.60	SG-615P 12.0000MCO:ROHS
12.28800	SER2233CT-ND	4.20	3.61	2.65	1,000	1601.60	SG-615P 12.2880MCO:ROHS
14.31818	SER2211CT-ND	2.80	2.41	2.01	—	—	SG-615P 14.31818MCO:ROHS
14.74560	SER3619CT-ND	4.20	3.61	2.65	250	600.60	SG-615P 14.7456MCO:ROHS
16.00000	SER2212CT-ND	4.20	3.61	2.65	1,000	1601.60	SG-615P 16.0000MCO:ROHS
18.43200	SER2213CT-ND	4.20	3.61	2.65	1,000	1601.60	SG-615P 18.4320MCO:ROHS
19.66080	SER2239CT-ND	4.20	3.61	2.65	1,000	1601.60	SG-615P 19.6608MCO:ROHS
20.00000	SER2214CT-ND	4.20	3.61	2.65	1,000	1601.60	SG-615P 20.0000MCO:ROHS
22.11840	SER2241CT-ND	4.20	3.61	2.65	1,000	1601.60	SG-615P 22.1184MCO:ROHS
24.00000	SER2215CT-ND	4.20	3.61	2.65	1,000	1601.60	SG-615P 24.0000MCO:ROHS
SG-615PCG (CMOS compatible type) — RoHS Compliant							
25.00000	SER3621CT-ND	4.67	4.00	2.94	250	666.67	SG-615PCG 25.0000MB3:ROHS
SG-615PCV (CMOS compatible type)							
75.00000	SE3511CT-ND	4.68	3.91	2.73	1,000	2042.04	SG-615PCV 75.0000MCO
106.25000	SE3515CT-ND	5.17	4.31	3.09	1,000	2322.32	SG-615PCV 106.2500MCO
SG-615PH (CMOS compatible type)							
32.00000	SE2337CT-ND	2.80	2.41	2.01	—	—	SG-615PH 32.0000MCO
33.00000	SE2339CT-ND	4.20	3.61	2.65	1,000	1601.60	SG-615PH 33.0000MCO
33.33300	SE2340CT-ND	4.20	3.61	2.65	1,000	1601.60	SG-615PH 33.3333MCO
36.00000	SE2341CT-ND	4.20	3.61	2.65	—	—	SG-615PH 36.0000MCO
40.00000	SE2343CT-ND	4.20	3.61	2.65	—	—	SG-615PH 40.0000MCO
44.90000	SE2344CT-ND	4.20	3.61	2.65	1,000	1601.60	SG-615PH 44.9000MCO
55.00000	SE2347CT-ND	4.20	3.61	2.65	1,000	1601.60	SG-615PH 55.0000MCO
66.66600	SE2352CT-ND	4.37	3.75	2.75	1,000	1665.66	SG-615PH 66.6660MCO
SG-615PH (CMOS compatible type) — RoHS Compliant							
32.00000	SER2337CT-ND	2.80	2.41	2.01	—	—	SG-615PH 32.0000MCO:ROHS
33.00000	SER2339CT-ND	4.20	3.61	2.65	—	—	SG-615PH 33.0000MCO:ROHS
40.00000	SER2343CT-ND	4.20	3.61	2.65	1,000	1601.60	SG-615PH 40.0000MCO:ROHS
55.00000	SER2347CT-ND	4.20	3.61	2.65	—	—	SG-615PH 55.0000MCO:ROHS
SG-615PTJ (TTL compatible type)							
27.00000	SE2326CT-ND	4.20	3.61	2.65	1,000	1601.60	SG-615PTJ 27.0000MCO
30.00000	SE2330CT-ND	4.20	3.61	2.65	1,000	1601.60	SG-615PTJ 30.0000MCO
40.00000	SE3622CT-ND	4.20	3.61	2.65	250	600.60	SG-615PTJ 40.0000MCO
SG-615PTJ (TTL compatible type) — RoHS Compliant							
27.00000	SER2326CT-ND	4.20	3.61	2.65	1,000	1601.60	SG-615PTJ 27.0000MCO:ROHS
30.00000	SER2330CT-ND	4.20	3.61	2.65	1,000	1601.60	SG-615PTJ 30.0000MCO:ROHS

† For Tape and Reel part number, change CT-ND to TR-ND. ◆ RoHS Compliant

Digi-Reel® Most SMT cutdown parts are available on a Digi-Reel®. For Digi-Reel part number, change 1-ND to 6-ND or CT-ND to DKR-ND. See Digi-Key® Services on page 2 for additional information.

1442 (EU2011-EN) **Free shipping on orders over €65! All prices in euro and include duties.**