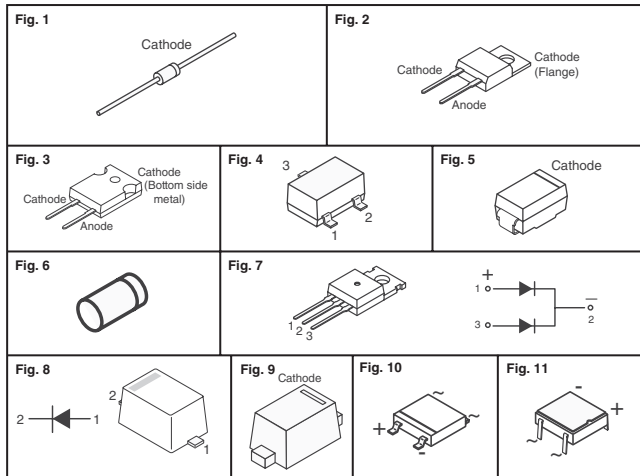




Diodes



| Fig. | Max. Reverse Voltage (V) | Max. Average Rectified Current (A) | Package | Digi-Key Part No. | Cut Tape Pricing | | | Tape and Reel\$ | |
|-------|--------------------------|------------------------------------|--------------|-------------------|------------------|--------|---------|-----------------|----------|
| | | | | | 1 | 10 | 100 | Qty. | Pricing |
| 1 | 20 | 1 | DO-41 | 1N5817FSCCT-ND | .45 | 3.21 | 19.28 | 5,000 | 57.83/M |
| | 30 | 1 | DO-41 | 1N5818FSCCT-ND | .45 | 3.21 | 19.28 | 5,000 | 57.83/M |
| | 30 | 1 | DO-35 | FJH1100-ND | 13.75 | 125.07 | 1063.11 | — | — |
| | 40 | 1 | DO-41 | 1N5819FSCCT-ND | .45 | 3.21 | 19.28 | 5,000 | 57.83/M |
| | 45 | 12 | DO-201AD | SB1245CT-ND | 1.54 | 13.80 | 109.61 | 1,250 | 608.84/M |
| | 50 | 0.2 | DO-35 | 1N4454CT-ND | .17 | 1.10 | 4.79 | 10,000 | 9.92/M |
| | 50 | 0.2 | DO-35 | 1N4150CT-ND | .23 | 1.52 | 6.61 | — | — |
| | 50 | 1 | DO-41 | 1N4001FSCCT-ND | .26 | 1.71 | 7.43 | 5,000 | 17.35/M |
| | 50 | 4 | DO-35 | 1N4150-ND | .26 | 1.66 | 7.24 | — | — |
| | 70 | 0.2 | DO-35 | 1N457ACT-ND | .21 | 1.37 | 5.97 | 10,000 | 19.00/M |
| | 70 | 0.2 | DO-35 | 1N457CT-ND | .33 | 2.15 | 9.33 | 10,000 | 19.00/M |
| | 2 | 100 | 0.2 | DO-35 | 1N914BCT-ND | .13 | .86 | 3.72 | 10,000 |
| 100 | | 0.2 | DO-35 | 1N914CT-ND | .14 | .93 | 4.05 | 10,000 | 8.27/M |
| 100 | | 0.2 | DO-35 | 1N4148TACT-ND | .12 | .78 | 3.39 | 5,000 | 7.96/M |
| 100 | | 0.2 | DO-35 | 1N4448CT-ND | .17 | 1.10 | 4.79 | 10,000 | 9.92/M |
| 100 | | 0.2 | DO-35 | 1N4148FS-ND | .12 | .78 | 3.39 | — | — |
| 100 | | 0.2 | DO-35 | 1N4148FSTR-ND | — | — | — | 10,000 | 6.61/M |
| 100 | | 1 | DO-41 | 1N4002FSCCT-ND | .26 | 1.71 | 7.43 | 5,000 | 17.35/M |
| 100 | | 1 | DO-35 | 1N914ACT-ND | .13 | .86 | 3.72 | 10,000 | 7.44/M |
| 100 | | 1 | DO-35 | 1N914B-ND | .13 | .86 | 3.72 | — | — |
| 100 | | 3 | DO-201AD | 1N5401FSCCT-ND | .43 | 3.04 | 18.24 | 1,250 | 70.22/M |
| 125 | | 0.2 | DO-35 | FDH300TRCT-ND | .40 | 2.68 | 11.65 | 10,000 | 23.14/M |
| 3 | | 125 | 0.2 | DO-35 | FDH333-ND | .40 | 2.68 | 11.65 | — |
| | 150 | 0.2 | DO-35 | 1N3595CT-ND | .33 | 2.15 | 9.33 | 10,000 | 19.00/M |
| | 200 | 1 | DO-41 | 1N4003FSCCT-ND | .28 | 1.84 | 8.01 | 5,000 | 19.00/M |
| | 200 | 3 | DO-201AD | 1N5402FSCCT-ND | .43 | 3.04 | 18.24 | 1,250 | 70.22/M |
| | 400 | 1 | DO-41 | 1N4004FSCCT-ND | .28 | 1.84 | 8.01 | 5,000 | 19.00/M |
| | 600 | 1 | DO-41 | 1N4005FSCCT-ND | .30 | 1.94 | 8.43 | 5,000 | 19.83/M |
| | 600 | 1 | DO-41 | 1N4937FSCCT-ND | .41 | 2.72 | 11.81 | 25,000 | 19.83/M |
| | 800 | 1 | DO-41 | 1N4006FSCCT-ND | .28 | 1.84 | 8.01 | 5,000 | 19.00/M |
| | 1,000 | 1 | DO-41 | 1N4007FSCCT-ND | .28 | 1.84 | 8.01 | 5,000 | 19.00/M |
| | 1,000 | 1 | DO-41 | UF4007CT-ND | .40 | 2.87 | 17.20 | 5,000 | 51.22/M |
| | 1,000 | 3 | DO-201AD | 1N5408FSCCT-ND | .49 | 3.47 | 20.82 | 1,250 | 80.13/M |
| | 4 | 200 | 15 | TO-220F | FFP15UP20STTU-ND | .74 | 6.51 | 51.42 | — |
| 600 | | 8 | TO-220AC | ISL9R860P2-ND | 1.01 | 8.93 | 70.56 | — | — |
| 600 | | 8 | TO-220AC | RHRP860-ND | 1.13 | 9.99 | 78.93 | — | — |
| 600 | | 8 | TO-220AC | RURP860-ND | .95 | 8.38 | 66.24 | — | — |
| 600 | | 8 | TO-220AC | FFP08S60STU-ND | .94 | 8.33 | 65.78 | — | — |
| 600 | | 8 | TO-220-2L | FFP08S60SNTU-ND | .90 | 7.99 | 63.15 | — | — |
| 600 | | 8 | TO-220F-2L | FFP08S60SNTU-ND | .90 | 7.99 | 63.15 | — | — |
| 600 | | 15 | TO-220AC | ISL9R1560P2-ND | 1.37 | 12.38 | 99.54 | — | — |
| 600 | | 15 | TO-220AC | RHRP1560-ND | 1.43 | 12.66 | 100.11 | — | — |
| 600 | | 15 | TO-220AC | RURP1560-ND | 1.31 | 11.90 | 95.63 | — | — |
| 600 | | 30 | TO-220AC | ISL9R3060P2-ND | 2.64 | 23.63 | 193.82 | — | — |
| 600 | | 30 | TO-220AC | RURP3060-ND | 1.92 | 17.34 | 139.35 | — | — |
| 1,000 | 8 | TO-220AC | RURP8100-ND | 1.03 | 9.18 | 72.54 | — | — | |
| 1,200 | 8 | TO-220AC | RHRP8120-ND | 1.00 | 8.87 | 70.13 | — | — | |
| 1,200 | 30 | TO-220AC | RHRP30120-ND | 2.04 | 18.46 | 148.33 | — | — | |
| 5 | 200 | 30 | TO-247 | RURG3020CC-ND | 3.33 | 29.71 | 243.61 | — | — |
| | 600 | 30 | TO-247 | ISL9R3060G2-ND | 2.82 | 25.15 | 206.27 | — | — |
| | 600 | 30 | TO-247 | RHRG3060-ND | 2.54 | 22.95 | 184.44 | — | — |
| | 600 | 30 | TO-247 | RURG3060CC-ND | 3.58 | 31.97 | 262.17 | — | — |
| | 600 | 30 | TO-247 | RURG3060-ND | 2.37 | 21.42 | 172.13 | — | — |
| | 600 | 50 | TO-247 | RURG5060-ND | 3.40 | 30.28 | 248.32 | — | — |
| | 600 | 80 | TO-247 | RURG8060-ND | 5.00 | 44.64 | 366.05 | — | — |
| | 1,000 | 80 | TO-247 | RURG80100-ND | 4.90 | 43.72 | 358.48 | — | — |
| | 1,200 | 30 | TO-247 | RHRG30120-ND | 2.50 | 22.31 | 182.98 | — | — |
| | 1,200 | 75 | TO-247 | RHRG75120-ND | 4.59 | 40.98 | 336.07 | — | — |

| Fig. | Max. Reverse Voltage (V) | Max. Average Rectified Current (A) | Package | Digi-Key Part No. | Cut Tape Pricing | | | Tape and Reel\$ | |
|------|--------------------------|------------------------------------|------------------|-------------------|------------------|-------|-------|-----------------|---------|
| | | | | | 1 | 10 | 100 | Qty. | Pricing |
| 4 | 30 | 0.2 | SOT-23 | BAR43CT-ND | .34 | 2.27 | 10.71 | 3,000 | 31.40/M |
| | 30 | 0.2 | SOT-23 | BAR43CT-ND | .37 | 2.51 | 11.83 | 3,000 | 34.70/M |
| | 30 | 0.2 | SOT-23 | BAR43SCT-ND | .37 | 2.51 | 11.83 | 3,000 | 34.75/M |
| | 30 | 0.2 | SOT-23 | BAT54FSCT-ND | .40 | 2.60 | 11.32 | 3,000 | 30.57/M |
| | 30 | 0.2 | SOT-23 | BAT54CFSCCT-ND | .40 | 2.60 | 11.32 | 3,000 | 30.57/M |
| | 30 | 0.2 | SOT-23 | BAT54AFSCCT-ND | .37 | 2.45 | 10.66 | 3,000 | 28.92/M |
| | 30 | 0.2 | SOT-23 | BAT54FSCT-ND | .33 | 2.15 | 9.33 | 3,000 | 25.61/M |
| | 40 | 0.75 | SOT-23 | FYV0704SMTFCT-ND | .38 | 2.99 | 20.46 | 3,000 | 86.74/M |
| | 50 | 0.2 | SOT-23 | BAV74FSCT-ND | .40 | 2.60 | 11.32 | 3,000 | 30.56/M |
| | 70 | 0.2 | SOT-23 | BAV70FSCT-ND | .40 | 2.60 | 11.32 | 3,000 | 30.56/M |
| | 70 | 0.2 | SOT-23 | BAV99FSCT-ND | .40 | 2.64 | 11.48 | 3,000 | 31.40/M |
| | 70 | 0.2 | SOT-323 | BAV99WT1GFSCT-ND | .36 | 2.43 | 11.43 | 3,000 | 33.87/M |
| 85 | 0.2 | SOT-23 | BAS16FSCT-ND | .36 | 2.32 | 10.08 | 3,000 | 27.26/M | |
| 85 | 0.2 | SOT-23 | BAW56FSCT-ND | .40 | 2.64 | 11.48 | 3,000 | 31.01/M | |
| 100 | 0.2 | SOT-23 | MMD1201CT-ND | .38 | 2.51 | 10.90 | 3,000 | 29.74/M | |
| 100 | 0.2 | SOT-23 | MMD1203CT-ND | .31 | 2.13 | 10.05 | 3,000 | 29.51/M | |
| 100 | 0.2 | SOT-23 | MMD1204CT-ND | .34 | 2.27 | 10.71 | 3,000 | 31.45/M | |
| 100 | 0.2 | SOT-23 | MMD1205CT-ND | .33 | 2.23 | 10.51 | 3,000 | 30.57/M | |
| 100 | 0.2 | SOT-23 | MMD1418CCCT-ND | .36 | 2.40 | 11.30 | 3,000 | 33.05/M | |
| 100 | 0.2 | SOT-23 | MMD1418FSCT-ND | .36 | 2.40 | 10.41 | 3,000 | 28.09/M | |
| 100 | 0.2 | SOT-23 | MMD1418SECT-ND | .36 | 2.40 | 11.30 | 3,000 | 33.05/M | |
| 100 | 0.2 | SOT-23 | MMD17000FSCCT-ND | .31 | 2.11 | 9.91 | 3,000 | 29.12/M | |
| 100 | 0.2 | SOT-23 | MMD1914FSCT-ND | .36 | 2.41 | 10.49 | 3,000 | 28.09/M | |
| 100 | 0.25 | TO-236AB | FLD261FSCCT-ND | .45 | 3.01 | 14.14 | 3,000 | 41.31/M | |
| 120 | 0.2 | SOT-23 | BAS31FSCT-ND | .40 | 2.64 | 11.48 | 3,000 | 31.01/M | |
| 200 | 0.2 | SOT-23 | MMD1403CT-ND | .34 | 2.30 | 10.84 | 3,000 | 31.84/M | |
| 200 | 0.2 | SOT-23 | MMD1501ACT-ND | .41 | 2.70 | 11.73 | 3,000 | 31.40/M | |
| 200 | 0.2 | SOT-23 | MMD1503ACT-ND | .38 | 2.57 | 12.09 | 3,000 | 35.53/M | |
| 200 | 0.2 | SOT-23 | MMD1504ACT-ND | .38 | 2.57 | 12.09 | 3,000 | 35.53/M | |
| 200 | 0.2 | SOT-23 | MMD1505ACT-ND | .38 | 2.57 | 12.09 | 3,000 | 35.53/M | |
| 250 | 0.2 | SOT-23 | BAS21FSCT-ND | .36 | 2.41 | 10.49 | 3,000 | 28.33/M | |
| 250 | 0.2 | SOT-23 | BAV23FSCT-ND | .36 | 2.40 | 11.30 | 3,000 | 33.20/M | |
| 20 | 0.5 | SOD-123 | MBR0520LCT-ND | .50 | 3.40 | 15.99 | 3,000 | 46.98/M | |
| 20 | 1 | SMA | SS12FSCT-ND | .46 | 3.25 | 21.69 | 7,500 | 73.53/M | |
| 30 | 0.5 | SOD-123 | MBR0530CT-ND | .50 | 3.40 | 15.99 | 3,000 | 47.09/M | |
| 30 | 2 | SMB | SS23CT-ND | .46 | 3.61 | 24.71 | 3,000 | 104.92/M | |
| 40 | 1 | SMA | SS14CT-ND | .48 | 3.39 | 22.55 | 7,500 | 76.83/M | |
| 40 | 1 | SMB | MBSR140FSCT-ND | .43 | 3.36 | 23.01 | 3,000 | 97.48/M | |
| 40 | 2 | SMB | SS24FSCT-ND | .46 | 3.61 | 24.71 | 3,000 | 104.92/M | |
| 40 | 3 | SMB | SS34FSCT-ND | .54 | 4.31 | 32.36 | 3,000 | 152.01/M | |
| 40 | 4 | SMB | MBSR340FSCT-ND | .59 | 4.77 | 35.79 | 3,000 | 168.53/M | |
| 50 | 1 | SMA | S1AFSCT-ND | .44 | 2.95 | 13.88 | 7,500 | 34.70/M | |
| 50 | 3 | SMB | SS3AFSCT-ND | .37 | 3.61 | 24.71 | 3,000 | 104.92/M | |
| 60 | 1 | SMA | SS16FSCT-ND | .40 | 3.11 | 21.33 | 7,500 | 85.09/M | |
| 60 | 2 | SMB | SS26FSCT-ND | .51 | 4.06 | 27.74 | 3,000 | 117.31/M | |
| 100 | 1 | SMA | S1BFSCCT-ND | .44 | 2.95 | 13.88 | 7,500 | 34.70/M | |
| 100 | 1 | SMA | EGF1BCT-ND | .45 | 3.56 | 24.35 | 7,500 | 96.66/M | |
| 100 | 1 | SMA | S100CT-ND | .44 | 3.53 | 26.44 | 7,500 | 116.48/M | |
| 100 | 3 | SMB | S3BFSCCT-ND | .37 | 2.91 | 19.88 | 3,000 | 84.27/M | |
| 100 | 3 | SMB | ES3BFSCCT-ND | .51 | 4.06 | 27.74 | 3,000 | 117.31/M | |
| 100 | 1 | SMA | ES1DFSCCT-ND | .45 | 3.16 | 18.98 | 7,500 | 57.01/M | |
| 200 | 2 | SMB | ES2DFSCCT-ND | .51 | 3.63 | 24.16 | 3,000 | 86.74/M | |
| 200 | 3 | SMB | ES3DFSCCT-ND | .51 | 4.06 | 27.74 | 3,000 | 117.31/M | |
| 200 | 3 | SMB | S3DFSCCT-ND | .37 | 2.91 | 19.88 | 3,000 | 84.27/M | |
| 300 | 1 | SMA | ES1FCT-ND | .45 | 3.16 | 18.98 | 7,500 | 57.01/M | |
| 400 | 1 | SMA | RS1GFSCCT-ND | .37 | 2.64 | 15.86 | 7,500 | 47.92/M | |
| 400 | 1 | SMA | S1GFSCCT-ND | .44 | 2.95 | 13.88 | 7,500 | 34.70/M | |
| 400 | 1 | SMA | ES1GFSCCT-ND | .46 | 3.28 | 19.68 | 7,500 | 58.66/M | |
| 400 | 3 | SMB | S3GFSCCT-ND | .37 | 2.91 | 19.88 | 3,000 | 84.27/M | |
| 500 | 1 | SMA | ES1HCT-ND | .46 | 3.28 | 19.68 | 7,500 | 58.66/M | |
| 600 | 1 | SMA | ES1JFSCCT-ND | .46 | 3.28 | 19. | | | |