



Switching Diode Arrays Surface Mount

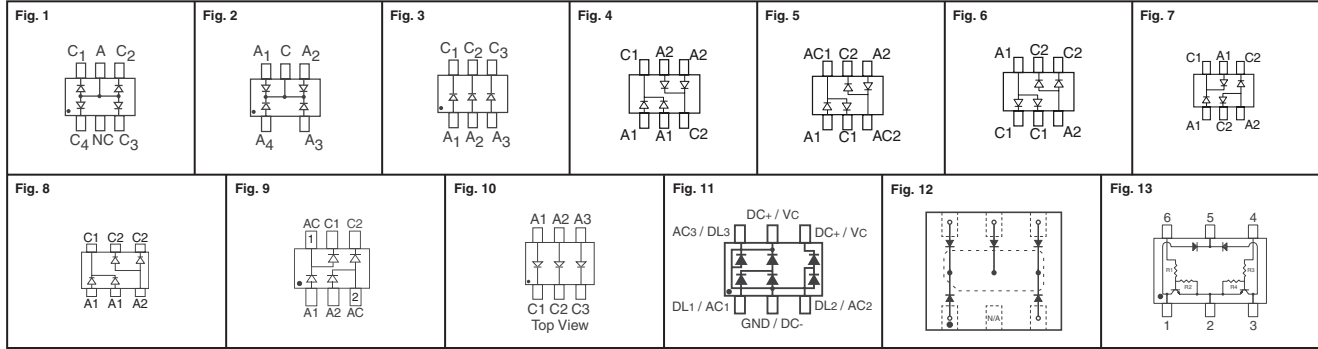


Fig.	Peak Reverse Voltage VRRM (V)	Maximum Reverse Current		Maximum Forward Voltage@		Maximum Reverse Recovery Time Trr (nS)	Power Dissipation Pd (mW)	Package	Digi-Key Part No.	Cut Tape Pricing			Digi-Key Part No.	Tape and Reel Pricing 3,000
		IR (µA)	VR (V)	VF (V)	IF (mA)					1	10	100		
1	80	0.1	70	1.0	100	4.0	200	SOT-363	MMBD4448HAQW-FDICT-ND	.48	3.77	25.77	MMBD4448HAQW-FDITR-ND	109.05/M
2	80	0.1	70	1.0	100	4.0	200	SOT-353	MMBD4448HCQW-FDICT-ND	.48	3.77	25.77	MMBD4448HCQW-FDITR-ND	109.05/M
3	75	1.0	75	1.0	50	4.0	200	SOT-363	BAS16TW-FDICT-ND	.46	3.30	19.83	BAS16TW-FDITR-ND	66.09/M
	75	1.0	75	1.0	50	4.0	200	SOT-363	MMBD4148TW-FDICT-ND	.44	3.10	20.65	MMBD4148TW-FDITR-ND	74.35/M
	80	0.1	70	1.0	100	4.0	200	SOT-363	MMBD4448HTW-FDICT-ND	.48	3.77	25.77	MMBD4448HTW-FDITR-ND	109.05/M
	40	1.0	10	.37	1.0	—	225	SOT-26	SDM03MT40DICT-ND	.50	4.31	34.06	—	—
4	40	1.0	10	.37	1.0	—	225	SOT-26	SDM03MT40-FDICT-ND	.45	3.63	27.26	SDM03MT40-FDITR-ND	128.05/M
	75	2.5	75	1.0	50	4.0	200	SOT-363	BAV70DW-FDICT-ND	.46	3.30	19.83	BAV70DW-FDITR-ND	66.09/M
	80	0.1	70	1.0	100	4.0	200	SOT-363	MMBD4448HCDW-FDICT-ND	.48	3.77	25.77	MMBD4448HCDW-FDITR-ND	109.05/M
	30	2.0	25	1.0	100	5.0	200	SOT-363	BAT54SDW-FDICT-ND	.55	4.36	32.71	BAT54SDW-FDITR-ND	153.66/M
5	75	2.5	75	1.0	50	4.0	200	SOT-363	BAV99DW-FDICT-ND	.48	3.41	22.72	BAV99DW-FDITR-ND	81.79/M
	80	0.1	70	1.0	100	4.0	200	SOT-363	MMBD4448HSDW-FDICT-ND	.48	3.77	25.77	MMBD4448HSDW-FDITR-ND	109.05/M
	80	0.1	70	.72	5.0	4.0	200	SOT-363	SDA004DICT-ND	.46	3.30	19.83	SDA004DITR-ND	66.09/M
	85	0.005	75	1.0	10	3.0	200	SOT-363	BAV199DW-FDICT-ND	.46	3.30	19.83	BAV199DW-FDITR-ND	66.09/M
6	75	2.5	75	1.0	50	4.0	200	SOT-363	BAW56DW-FDICT-ND	.40	2.89	17.35	BAW56DW-FDITR-ND	57.83/M
	80	0.1	70	1.0	100	4.0	200	SOT-363	MMBD4448HADW-DICT-ND	.47	3.74	28.05	—	—
	80	0.1	70	1.0	100	4.0	200	SOT-363	MMBD4448HADW-FDICT-ND	.48	3.77	25.77	MMBD4448HADW-FDITR-ND	109.05/M
7	75	2.5	75	1.0	50	4.0	200	SOT-363	BAV756DW-FDICT-ND	.46	3.30	19.83	BAV756DW-FDITR-ND	66.09/M
8	75	2.5	75	1.0	50	4.0	200	SOT-363	BAW567DW-DICT-ND	.39	3.11	23.38	—	—
	75	2.5	75	1.0	50	4.0	200	SOT-363	BAW567DW-FDICT-ND	.42	2.97	19.83	BAW567DW-FDITR-ND	71.05/M
9	75	2.5	75	1.25	150	4.0	200	SOT-363	BAV99BRW-FDICT-ND	.45	3.63	27.26	BAV99BRW-FDITR-ND	128.05/M
	300	0.1	240	1.0	100	50	350	SOT-26	MMBD3004BRM-FDICT-ND	.45	3.63	27.26	MMBD3004BRM-FDITR-ND	128.05/M
	350	5.0	360	1.25	200	50	350	SOT-26	MMBD5004BRM-7CT-ND	.55	4.36	32.71	MMBD5004BRM-7TR-ND	153.66/M
10	80	0.1	70	1.0	100	4.0	225	SOT-26	MMBD4448HTM-FDICT-ND	.42	3.30	22.55	MMBD4448HTM-FDITR-ND	95.42/M
11	85	2.5	60	.80	1.0	3.0	200	SOT-363	DLPA004DICT-ND	.58	5.02	39.65	DLPA004DITR-ND	191.66/M
	85	0.005	75	.90	1.0	3.0	200	SOT-363	DLPA006DICT-ND	.58	5.02	39.65	DLPA006DITR-ND	191.66/M
12	75	1	75	.715	1.0	4.0	500	DFN1616-6	MMBD4148PLMDICT-ND	.45	3.54	24.16	MMBD4148PLMDITR-ND	102.44/M
13	75	2.5	75	1.0	100	4.0	200	SOT-363	DRDNB21D-7DICT-ND	.45	3.63	27.26	DRDNB21D-7DITR-ND	128.05/M

◆ RoHS Compliant § Reverse Recovery Time @ µs



eGaN™ Enhancement Mode Power Transistors



Features: GaN's exceptionally high electron mobility and low temperature coefficient allows very low RDS(ON), while its lateral device structure and majority carrier diode provide exceptionally low QG and zero QRR. The end result is a device that can handle tasks where very high switching frequency, and low on-time are beneficial as well as those where on-state losses dominate.

Benefits: • Ultra High Efficiency • Ultra Low RDS(on) • Ultra Low QG • Ultra small footprint

Applications: • High Speed DC-DC conversion • Class D Audio • Hard Switched and High Frequency Circuits

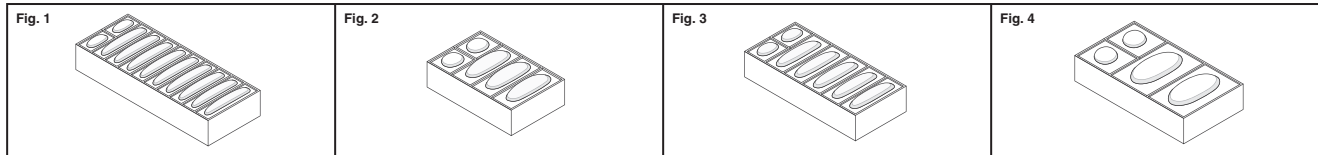


Fig.	VDS (V)	ID Cont. (A) 25°C	RDS (on) (mΩ)	Typ Qg @5V	Digi-Key Part No.	Cut Tape Pricing			Digi-Key Part No.	Tape and Reel		EPC Part No.
						1	10	100		Qty.	Pricing	
1	100	25	7	11	917-1000-1-ND	4.96	44.61	363.48	917-1000-2-ND	500	1371.33	EPC1001
	60	25	7	10	917-1001-1-ND	4.61	41.49	338.04	917-1001-2-ND	500	1275.50	EPC1005
	40	33	4	11.5	917-1009-1-ND	4.39	39.48	321.68	917-1009-2-ND	500	1213.54	EPC1015
2	100	6	30	2.7	917-1002-1-ND	2.60	22.30	182.16	917-1002-2-ND	1,000	1078.06	EPC1007
	60	6	30	2.5	917-1003-1-ND	2.40	20.57	167.99	917-1003-2-ND	500	600.16	EPC1009
	40	10	16	3	917-1008-1-ND	2.23	19.08	155.84	917-1008-2-ND	1,000	922.75	EPC1014
3	200	12	25	7.5	917-1004-1-ND	8.21	74.35	619.58	917-1004-2-ND	500	2401.06	EPC1010
	150	12	25	6.7	917-1005-1-ND	5.92	53.31	434.36	917-1005-2-ND	500	1638.57	EPC1011
4	200	3	100	1.9	917-1006-1-ND	3.72	33.46	272.61	917-1006-2-ND	1,000	1734.81	EPC1012
	150	3	100	1.7	917-1007-1-ND	2.73	24.54	199.92	917-1007-2-ND	500	754.23	EPC1013

Digi-Reel® Most SMT cutdown parts are available on a Digi-Reel®. For Digi-Reel part number, change 1-ND to 6-ND or CT-ND to DKR-ND. See Digi-Key® Services on page 2 for additional information.

Free shipping on orders over €65! All prices in euro and include duties. (EU2011-EN) 1339