



C

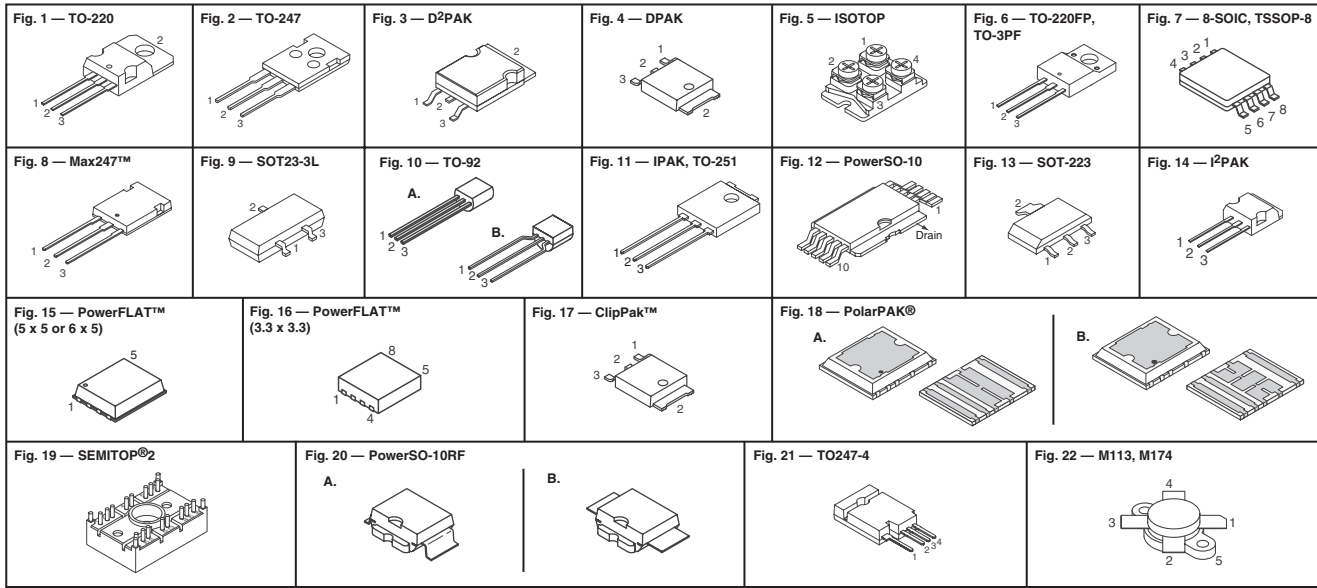


Fig.	V _{oss} (V)	ID (A)	R _{os(on)} (Ω)	Digi-Key Part No.	Pricing			Tape and Reel Pricing	STMicro. Part No.
					1	10	100		
N-Channel TO-220									
24	120	.0022	497-7519-5-ND	3.39	30.24	247.97	—	STP300NH02L	
25	80	.0049	497-9093-5-ND	1.37	12.40	99.63	—	STP95N2LH5	
30	22	.05	497-7516-5-ND	.91	8.07	63.76	—	STP22NF03L	
30	27	.020	497-9095-5-ND	.79	6.99	55.26	—	STP27N3LH5	
30	40	.022	497-3187-5-ND	1.19	10.50	82.98	—	STP40NF03L	
30	80	.0054	497-8451-5-ND	1.48	13.37	107.43	—	STP85N3LH5	
30	80	.0028	497-9097-5-ND	2.39	21.30	174.60	—	STP150N3LLH6	
30	80	.0042	497-10307-5-ND	1.40	12.63	101.49	—	STP95N3LLH6	
30	90	.0065	497-7535-5-ND	2.40	21.63	173.79	—	STP90NF03L	
30	120	.0037	497-6738-5-ND	2.38	21.21	173.93	—	STP200NF03	
40	80	.0065	497-7534-5-ND	1.22	11.06	88.88	—	STP90NF4F3	
40	80	.0065	497-7536-5-ND	1.93	17.49	140.52	—	STP95NF4F3	
40	80	.0070	497-10075-5-ND	2.63	23.46	192.38	—	STP150NF04	
40	120	.0037	497-3524-5-ND	2.92	26.02	213.38	—	STP200NF04	
40	120	.0038	497-4819-5-ND	2.40	21.48	176.12	—	STP200NF04L	
40	120	.0044	497-8789-5-ND	3.64	32.53	266.73	—	STP200NF4F3	
40	120	.0046	497-7497-5-ND	2.67	23.86	195.60	—	STP100NF04	
55	80	.005	497-5898-5-ND	2.38	21.21	173.93	—	STP80NF55L-06	
55	80	.0065	497-2774-5-ND	2.16	19.57	157.25	—	STP80NF55-06	
55	80	.008	497-3202-5-ND	2.02	18.22	146.47	—	STP80NF55-08	
55	80	.008	497-4370-5-ND	2.11	19.02	152.79	—	STP140NF55	
55	80	.008	497-6744-5-ND	2.02	18.22	146.47	—	STP85NF55	
55	80	.008	497-7023-5-ND	2.67	23.86	195.60	—	STP141NF55	
55	80	.008	497-7532-5-ND	2.43	21.69	177.82	—	STP85NF55L	
55	80	8.5	497-7528-5-ND	1.75	15.85	127.40	—	STP60N55F3	
55	120	.0037	497-8810-5-ND	5.58	49.88	408.99	—	STP190N5LF3	
55	120	.0038	497-7512-5-ND	4.13	36.87	302.29	—	STP180N55F3	
55	120	.0038	497-7513-5-ND	4.37	39.02	320.00	—	STP185N55F3	
55	120	.005	497-6117-5-ND	3.28	29.29	240.14	—	STP150NF55	
60	16	.1	497-2766-5-ND	.69	6.07	46.84	—	STP16NF06	
60	16	.09	497-2765-5-ND	.76	6.73	53.23	—	STP16NF06L	
60	20	.07	497-4374-5-ND	.96	8.50	67.19	—	STP20NF06	
60	20	.07	497-4375-5-ND	.96	8.50	67.19	—	STP20NF06L	
60	30	.04	497-3186-5-ND	.91	8.07	63.76	—	STP36NF06	
60	30	.04	497-7522-5-ND	1.21	10.76	85.01	—	STP36NF06L	
60	38	.028	497-3189-5-ND	.98	8.68	68.62	—	STP36NF06	
60	50	.018	497-2777-5-ND	1.05	9.29	73.47	—	STP55NF06	
60	55	.018	497-6742-5-ND	1.22	10.85	85.82	—	STP55NF06L	
60	60	.016	497-2779-5-ND	1.33	12.03	96.65	—	STP60NF06	
60	60	.014	497-5895-5-ND	1.34	12.05	96.84	—	STP60NF06L	
60	60	.014	497-7529-5-ND	1.30	11.47	90.67	—	STP65NF06	
60	80	.010	497-3201-5-ND	2.32	20.98	168.59	—	STP80NF06	
60	120	.0039	497-9096-5-ND	3.96	35.34	289.76	—	STP200NF63	
75	80	.011	497-2788-5-ND	1.88	17.00	136.62	—	STP75NF75	
75	120	.004	497-7508-5-ND	3.77	33.62	275.70	—	STP160N75F3	
75	120	.0065	497-5894-5-ND	2.42	21.86	175.65	—	STP140NF75	

Fig.	V _{oss} (V)	ID (A)	R _{os(on)} (Ω)	Digi-Key Part No.	Pricing			Tape and Reel Pricing	STMicro. Part No.
					1	10	100		
100	15	.13	497-7506-5-ND	.73	6.45	51.00	—	STP14NF10	
100	26	.060	497-3185-5-ND	1.12	9.91	78.33	—	STP24NF10	
100	35	.045	497-7520-5-ND	1.12	9.91	78.33	—	STP30NF10	
100	40	.033	497-6741-5-ND	1.88	17.00	136.62	—	STP40NF10L	
100	40	.035	497-2645-5-ND	1.25	11.04	87.24	—	STP35NF10	
100	50	.028	497-3188-5-ND	1.69	15.32	123.05	—	STP40NF10	
100	65	.0195	497-8812-5-ND	1.40	12.63	101.49	—	STP70N10F4	
100	80	.023	497-4384-5-ND	2.30	20.79	167.10	—	STP60NF10	
100	80	.015	497-2642-5-ND	2.40	21.63	173.79	—	STP80NF10	
100	110	.0105	497-4118-5-ND	2.33	20.82	170.71	—	STP120NF10	
120	40	.032	497-4381-5-ND	1.54	13.97	112.27	—	STP40NF12	
120	80	.018	497-6743-5-ND	2.45	22.09	177.51	—	STP80NF12	
200	9	.40	497-2757-5-ND	.91	8.07	63.76	—	IRF630	
200	15	.16	497-7514-5-ND	1.48	13.37	107.43	—	STP19NF20	
200	18	.125	497-5812-5-ND	1.64	14.83	119.15	—	STP20NF20	
200	30	.075	497-5825-5-ND	2.18	19.69	158.18	—	STP30NF20	
200	40	.045	497-5806-5-ND	2.68	23.96	196.45	—	STP40NF20	
200	75	.034	497-5958-5-ND	3.07	27.45	225.07	—	STP75NF20	
250	13	.235	497-7509-5-ND	1.37	12.40	99.63	—	STP16NF25	
250	17	.165	497-7511-5-ND	1.75	15.80	126.96	—	STP17NF25	
250	22	.15	497-6740-5-ND	1.64	14.87	119.52	—	STP22NS25Z	
250	45	.069	497-7526-5-ND	3.28	29.29	240.14	—	STP50NF25	
300	9	.4	497-7502-5-ND	1.61	14.57	117.10	—	STP12NK30Z	
300	30	0.90	497-7521-5-ND	5.20	46.84	385.13	—	STP30NM30N	
400	5.4	1	497-3200-5-ND	1.29	11.66	93.68	—	STP7NK40Z	
400	10	.55	497-7500-5-ND	1.31	11.89	95.55	—	STP11NK40Z	
500	3	2.7	497-3190-5-ND	.65	5.82	45.96	—	STP4NK50Z	
500	3	2.7	497-5131-5-ND	1.12	9.86	77.93	—	STP4NK50ZD	
500	4.4	1.5	497-3195-5-ND	.98	8.68	68.62	—	STP5NK50Z	
500	5.6	1.2	497-4385-5-ND	.97	8.61	68.00	—	STP6NK50Z	
500	7.2	.85	497-3203-5-ND	1.88	17.00	136.62	—	STP9NK50Z	
500	11	.48	497-7504-5-ND	2.08	18.59	152.38	—	STP13NK50Z	
500	12	.35	497-2666-5-ND	3.40	30.36	248.95	—	STP12NM50	
500	14	.38	497-4526-5-ND	2.92	26.02	213.38	—	STP14NK50Z	
500	17	.27	497-7515-5-ND	3.88	34.70	284.51	—	STP20NK50Z	
500	20	.25	497-2663-5-ND	4.49	40.13	329.05	—	STP20NM50	
500	20	.25	497-6739-5-ND	5.34	47.71	391.20	—	STP20NM50FD	
500	22	1.4	497-4672-5-ND	5.75	51.73	425.33	—	STP25NM50N	
520	4.4	1.22	497-5953-5-ND	.92	8.11	64.09	—	STP5NK52ZD	
525	6.2	.98	497-9094-5-ND	1.93	17.49	140.52	—	STP7N52K3	
550	5	.78	497-7531-5-ND	1.91	17.26	138.66	—	STP7NM50N	
550	7.5	.56	497-7537-5-ND	1.65	14.91	119.82	—	STP9NM50N	
550	12	.32	497-7505-5-ND	2.35	20.95	171.78	—	STP13NM50N	
550	15	.26	497-7510-5-ND	2.84	25.34	207.80	—	STP16NM50N	
550	27	.115	497-8790-5-ND	8.46	76.12	625.84	—	STP30NM50N	

◆ RoHS Compliant † For Tape and Reel part number, change 1-ND to 2-ND. ‡ Cut Tape (Continued)

Digi-Reel® Most SMT cutdown parts are available on a Digi-Reel®. For Digi-Reel part number, change 1-ND to 6-ND or CT-ND to DKR-ND. See Digi-Key® Services on page 2 for additional information.

1280 (EU2011-EN) Free shipping on orders over €65! All prices in euro and include duties.