



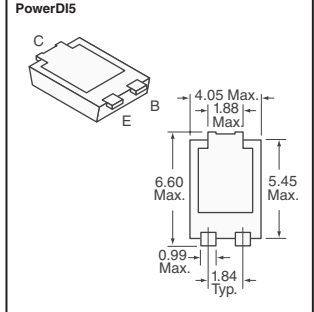
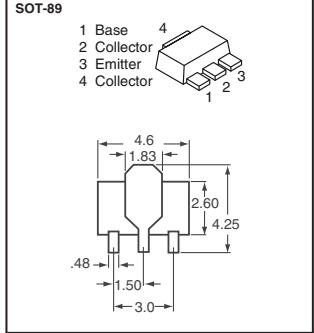
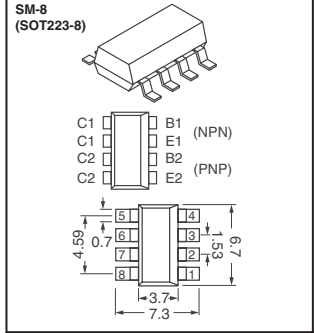
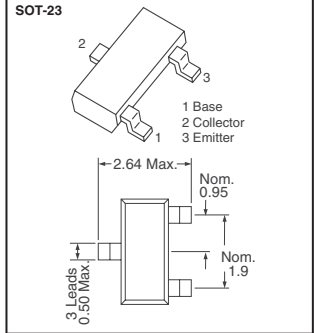
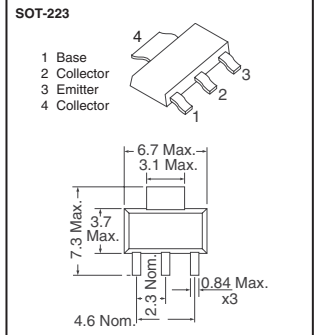
A Product Line of Diodes Incorporated



High Voltage Transistors 120-250 Volts (Cont.)



Table with columns: VCEO (V), VcBo (V), Ic (cont.) (A), hFE @Ic @VCE, VCE (sat) @Ic @Ib, Packaging Type, Digi-Key Part No., Cut Tape Price Each 1 10, Digi-Key Part No., Tape and Reel Qty. Pricing. Includes NPN and PNP sections.



300-500 Volts

Table with columns: VCEO (V), VcBo (V), Ic (cont.) (A), hFE @Ic @VCE, VCE (sat) @Ic @Ib, Packaging Type, Digi-Key Part No., Loose Piece Pricing 1 10 100 1,000. Includes NPN - RoHS Compliant and PNP - RoHS Compliant sections.

Table with columns: VCEO (V), VcBo (V), Ic (cont.) (A), hFE @Ic @VCE, VCE (sat) @Ic @Ib, Packaging Type, Digi-Key Part No., Cut Tape Price Each 1 10, Digi-Key Part No., Tape and Reel Qty. Pricing. Includes NPN, PNP - RoHS Compliant, and PowerD15 sections.

◆ RoHS Compliant

Digi-Reel Most SMT cutdown parts are available on a Digi-Reel. For Digi-Reel part number, change 1-ND to 6-ND or CT-ND to DKR-ND. See Digi-Key Services on page 2 for additional information.

1208 (EU2011-EN) Free shipping on orders over €65! All prices in euro and include duties.