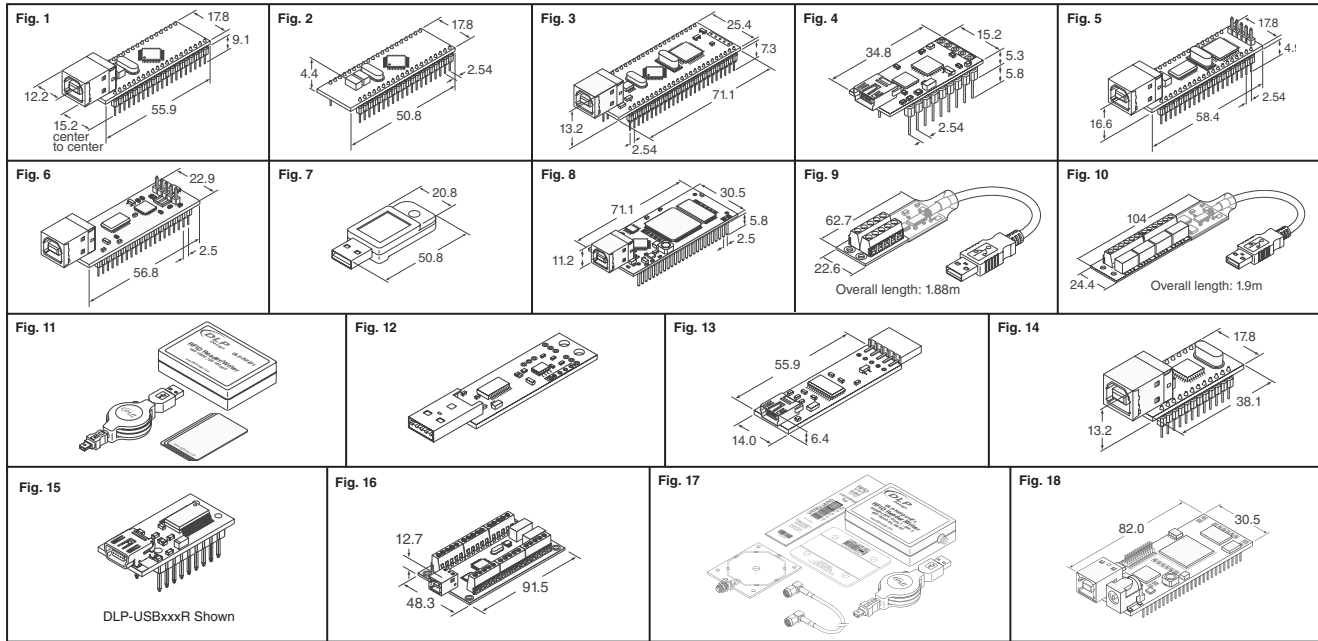


DLP Design USB Interface Modules and Accessories



C

Fig.	Description	Digi-Key Part No.	Price Each	DLP Design Part No.
1	FT2232D USB to UART/FIFO Dual-Channel Module, Pinned	813-1000-ND	28.03	DLP-2232M-G
2	FT2232D USB to UART/FIFO Dual-Channel Module, Plated thru-hole	813-1001-ND	23.98	DLP-2232ML-G
3	FT2232D USB to FIFO Module with PIC16F877A, On board firmware uploader, No programmer required	813-1002-ND	40.04	DLP-2232PB-G
4	Miniature USB Module with PIC18F2410	813-1003-ND	23.98	DLP-232PC
5	Module USB to FIFO with Interface to a PIC16F877A MCU	813-1004-ND	32.03	DLP-245PB-G
6	Module USB to FIFO Interface to an SX48 MCU	813-1006-ND	36.00	DLP-245SY-G
7	USB Security Dongle, with a Hard-Coded Unique Serial Number	813-1007-ND	11.97	DLP-D-G
8	USB FPGA Module with Xilinx Spartan 3E	813-1008-ND	96.06	DLP-FPGA
—	USB FPGA Module with Xilinx Spartan 3E, 200 page Training Manual included	813-1009-ND	160.16	DLP-FPGA-M
9	USB Data Acquisition Board, 8-Channel	813-1010-ND	23.98	DLP-IO8-G
10	USB Relay Latching Module, 4-Channel	813-1011-ND	36.00	DLP-IO4R
11	USB RFID Reader Kit, Includes RFID Reader with Retractable USB Cable, Tag Assortment, 13.56 MHz	813-1012-ND	96.06	DLP-RFID1
—	USB RFID Reader OEM Board, ISO 15693, 18000-3, Tag-It™ HF-I Compatible, 13.56 MHz	813-1013-ND	75.88	DLP-RFID-OG
12	USB Data/Temperature Acquisition Board, 3-Channel, with DS18B20 Temperature Sensor	813-1015-ND	20.02	DLP-TEMP-G
—	USB Temperature and Humidity Sensor with Windows Software for Logging or Alerts	813-1016-ND	72.03	DLP-TH1B
13	USB to UART Module, Type B Mini USB Connector	813-1017-ND	16.02	DLP-TXRX-G
14	USB to UART Module, Type B USB Connector	813-1018-ND	20.02	DLP-USB232M-G
14	USB to FIFO Module, Type B USB Connector	813-1019-ND	20.02	DLP-USB245M-G
—	USB Powered Module RFID Reader, 8-Channel	813-1020-ND	160.12	DLP-RFID-LP8C
—	Ferrite-Based External Antenna	813-1021-ND	15.98	DLP-FANT
—	Coax Cable with Reverse-Polarity SMA Connector	813-1022-ND	13.58	DLP-COAX1
—	External Antenna with Attached 15-foot Coax Cable with Reverse-Polarity SMA Connector	813-1023-ND	31.99	DLP-RFID-ANT
15	USB to Serial UART Module	813-1024-ND	14.41	DLP-USB232R
15	USB to Parallel FIFO Module	813-1025-ND	14.41	DLP-USB245R
15	USB High Speed to UART/FIFO Module, 18-DIP	813-1026-ND	23.18	DLP-USB1232H
16	USB Based 20 Channel Data Acquisition Module	813-1027-ND	40.00	DLP-IO20
17	Class 1 / Generation 2 RFID Reader-Writer	813-1029-ND	176.14	DLP-RFID-UHF1B
18	USB - FPGA Module	813-1030-ND	120.08	DLP-HS-FPGA

MICROCHIP OTP 8-Bit Microcontrollers

Operating Temperature Range: • Industrial: -40°F - 185°F (-40°C - 85°C) • Commercial: 32°F - 158°F (0°C - 70°C)

Program Words	Memory Size		ADC	Timers/ WDT	Interface	Int. Oscillator (MHz)	Max. Speed (MHz)	Operating Temperature	Package	Digi-Key Part No.	Price Each		
	RAM Bytes	I/O Lines									1	10	25
512 x 14	25 x 8	12	—	1-8bit / Yes	—	—	4	Commercial	18-DIP	PIC16HV540-04/P-ND◆	1.62	1.19	1.16
	25 x 8	12	—	1-8bit / Yes	—	—	4	Commercial	18-SOIC	PIC16HV540-04/SO-ND◆	1.63	1.21	1.18
	25 x 8	12	—	1-8bit / Yes	—	—	20	Commercial	18-DIP	PIC16HV540-20/P-ND◆	1.73	1.26	1.23
	25 x 8	12	—	1-8bit / Yes	—	—	20	Commercial	18-SOIC	PIC16HV540-20/SO-ND◆	1.75	1.29	1.26
	25 x 8	12	—	1-8bit / Yes	—	—	4	Industrial	18-DIP	PIC16HV540-04I/P-ND◆	1.62	1.19	1.16
	25 x 8	12	—	1-8bit / Yes	—	—	4	Industrial	18-SOIC	PIC16HV540-04I/SO-ND◆	1.63	1.21	1.18
	25 x 8	20	—	1-8bit / Yes	—	—	4	Commercial	28-DIP	PIC16C55A-04/P-ND◆	1.97	1.45	1.42
	25 x 8	20	—	1-8bit / Yes	—	—	4	Commercial	28-SOIC	PIC16C55A-04/SO-ND◆	2.05	1.51	1.47
	25 x 8	20	—	1-8bit / Yes	—	—	4	Commercial	28-DIP_3*	PIC16C55A-04/SP-ND◆	1.97	1.45	1.42
	25 x 8	20	—	1-8bit / Yes	—	—	4	Industrial	28-DIP	PIC16C55A-04I/P-ND◆	2.16	1.60	1.56
	25 x 8	20	—	1-8bit / Yes	—	—	4	Industrial	28-SOIC	PIC16C55A-04I/SO-ND◆	2.26	1.66	1.62
	25 x 8	20	—	1-8bit / Yes	—	—	20	Commercial	28-DIP	PIC16C55A-20/P-ND◆	2.19	1.62	1.58
	25 x 8	20	—	1-8bit / Yes	—	—	20	Commercial	28-SOIC	PIC16C55A-20/SO-ND◆	2.29	1.69	1.65
	25 x 8	20	—	1-8bit / Yes	—	—	20	Commercial	28-DIP_3*	PIC16C55A-20/SP-ND◆	2.19	1.62	1.58
	25 x 8	20	—	1-8bit / Yes	—	—	4	Commercial	28-DIP	PIC16LC55A-04/P-ND◆	2.07	1.52	1.48
	25 x 8	20	—	1-8bit / Yes	—	—	4	Commercial	28-SOIC	PIC16LC55A-04/SO-ND◆	2.15	1.58	1.54
	80 x 8	13	—	1-8bit / Yes	—	—	4	Commercial	18-DIP	PIC16C554-04/P-ND◆	2.59	2.17	2.09
	80 x 8	13	—	1-8bit / Yes	—	—	4	Commercial	18-SOIC	PIC16C554-04/SO-ND◆	2.66	2.21	2.13
	80 x 8	13	—	1-8bit / Yes	—	—	4	Commercial	18-DIP	PIC16C820A-04/P-ND◆	1.57	1.16	1.13

◆ RoHS Compliant † UVEPROM

(Continued)

Free shipping on orders over €65! All prices in euro and include duties. (EU2011-EN) 653