



Antennas



Dimensions in mm

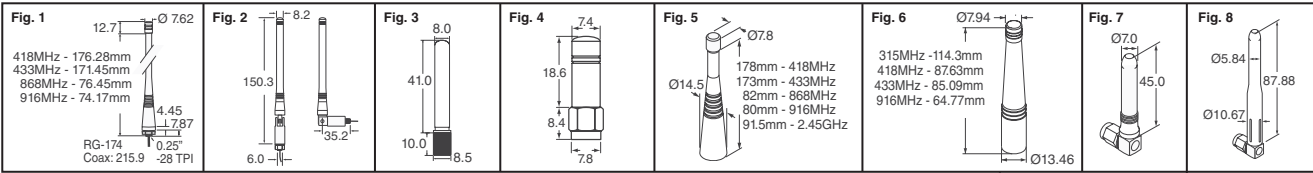
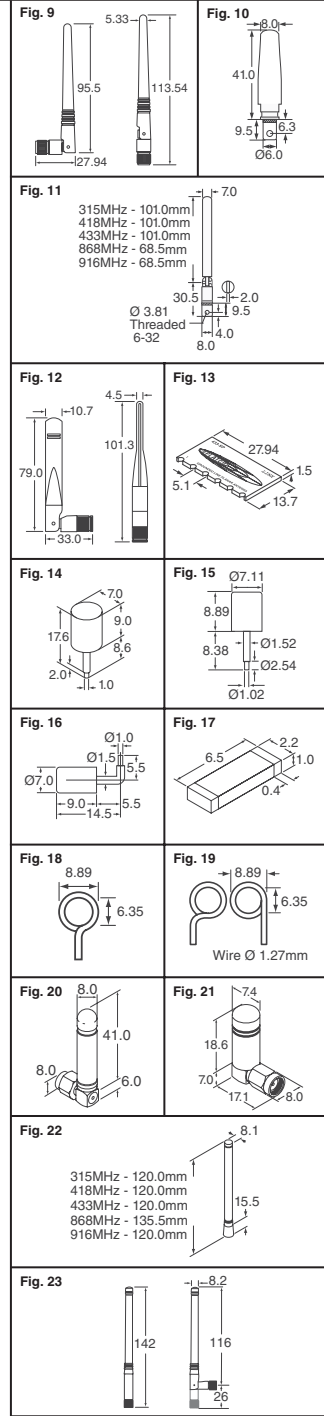


Fig.	Description	Frequency (MHz)	Digi-Key Part No.	Price Each			Antenna Factor Part No.
				1	25	100	
1	Permanent Mount 1/4 Wave Whip	418	ANT-418-PW-QW-ND	4.87	4.47	4.07	ANT-418-PW-QW
	Permanent Mount 1/4 Wave Whip	433	ANT-433-PW-QW-ND	4.78	4.38	3.99	ANT-433-PW-QW
	Permanent Mount 1/4 Wave Whip	868	ANT-868-PW-QW-ND	4.68	4.30	3.91	ANT-868-PW-QW
	Permanent Mount 1/4 Wave Whip	916	ANT-916-PW-QW-ND	4.59	4.21	3.83	ANT-916-PW-QW
2	1/2 Wave Whip with RG-178 Cable	868	ANT-868-PML-ND	5.44	4.99	4.53	ANT-868-PML
	1/2 Wave Whip with RG-178 Cable	916	ANT-916-PML-ND	5.44	4.99	4.53	ANT-916-PML
3	Reduced Height 1/4 Wave Whip	315	ANT-315-CW-RH-ND	4.54	4.17	3.79	ANT-315-CW-RH
	Reduced Height 1/4 Wave Whip	418	ANT-418-CW-RH-ND	4.54	4.17	3.79	ANT-418-CW-RH
	Reduced Height 1/4 Wave Whip	433	ANT-433-CW-RH-ND	4.54	4.17	3.79	ANT-433-CW-RH
	Reduced Height 1/4 Wave Whip	916	ANT-916-CW-RH-ND	4.54	4.17	3.79	ANT-916-CW-RH
4	Reduced Height 1/4 Wave Whip	2.45GHz	ANT-2.4-CW-RH-ND	3.80	3.48	2.91	ANT-2.4-CW-RH
	Reduced Height 1/4 Wave Whip	2.45GHz	ANT-2.4-CW-RH-SMA-ND	3.33	3.06	2.78	ANT-2.4-CW-RH-SMA
5	RP-SMA 1/4 Wave Whip	418	ANT-418-CW-QW-ND	5.52	5.06	4.60	ANT-418-CW-QW
	RP-SMA 1/4 Wave Whip	433	ANT-433-CW-QW-ND	5.39	4.95	4.50	ANT-433-CW-QW
	RP-SMA 1/4 Wave Whip	868	ANT-868-CW-QW-ND	5.27	4.83	4.40	ANT-868-CW-QW
	RP-SMA 1/4 Wave Whip	916	ANT-916-CW-QW-ND	5.15	4.72	4.29	ANT-916-CW-QW
	1/2 Wave Whip RP-SMA	2.45GHz	ANT-2.4-CW-QW-RPS-ND	5.53	5.07	4.61	ANT-2.4-CW-QW-RPS
6	1/2 Wave Whip	2.45GHz	ANT-2.4-CW-QW-SMA-ND	5.53	5.07	4.61	ANT-2.4-CW-QW-SMA
	1/2 Wave Whip	2.45GHz	ANT-2.4-PW-QW-ND	4.76	4.36	3.97	ANT-2.4-PW-QW
	RP-SMA Reduced Height 1/4 Wave Whip	315	ANT-315-CW-HD-ND	5.29	4.85	4.41	ANT-315-CW-HD
7	1/4 Wave Whip Right Angle	315	ANT-315-CW-RCS-ND	5.05	4.63	4.21	ANT-315-CW-RCS
	1/4 Wave Whip RP-SMA Right Angle	418	ANT-418-CW-RCS-ND	5.05	4.63	4.21	ANT-418-CW-RCS
	1/4 Wave Whip RP-SMA Right Angle	433	ANT-433-CW-RCS-ND	5.05	4.63	4.21	ANT-433-CW-RCS
	1/4 Wave Whip RP-SMA Right Angle	868	ANT-868-CW-RCS-ND	5.05	4.63	4.21	ANT-868-CW-RCS
8	RP-SMA Right Angle	916	ANT-916-CW-RCS-ND	5.05	4.63	4.21	ANT-916-CW-RCS
	1/4 Wave Whip SMA Right Angle	2.45GHz	ANT-2.4-CW-RCS-ND	5.05	4.63	4.21	ANT-2.4-CW-RCS
9	1/4 Wave Whip	2.45GHz	ANT-2.4-CW-RCS-SMA-ND	5.17	4.73	4.22	ANT-2.4-CW-RCS-SMA
	1/2 Wave Whip RP-SMA	2.45GHz	ANT-2.4-CW-RCL-ND	5.29	4.85	4.41	ANT-2.4-CW-RCL
10	1/2 Wave Whip RP-SMA	2.45GHz	ANT-2.4-CW-RCL-ND	5.29	4.85	4.41	ANT-2.4-CW-RCL
	1/2 Wave Whip RP-SMA	2.45GHz	ANT-2.4-CW-RCT-RP-ND	6.25	5.73	5.21	ANT-2.4-CW-RCT-RP
11	Permanent Mount Reduced Height 1/4 Wave Whip	315	ANT-315-PW-LP-ND	1.71	1.58	1.43	ANT-315-PW-LP
	Permanent Mount Reduced Height 1/4 Wave Whip	418	ANT-418-PW-LP-ND	1.71	1.58	1.43	ANT-418-PW-LP
	Permanent Mount Reduced Height 1/4 Wave Whip	433	ANT-433-PW-LP-ND	1.71	1.58	1.43	ANT-433-PW-LP
	Permanent Mount Reduced Height 1/4 Wave Whip	868	ANT-868-PW-LP-ND	1.71	1.58	1.43	ANT-868-PW-LP
	Permanent Mount Reduced Height 1/4 Wave Whip	916	ANT-916-PW-LP-ND	1.71	1.58	1.43	ANT-916-PW-LP
12	Permanent Mount Swivel Angle 1/4 Wave Whip	315	ANT-315-PW-RA-ND	2.78	2.55	2.32	ANT-315-PW-RA
	Permanent Mount Swivel Angle 1/4 Wave Whip	418	ANT-418-PW-RA-ND	2.78	2.55	2.32	ANT-418-PW-RA
	Permanent Mount Swivel Angle 1/4 Wave Whip	433	ANT-433-PW-RA-ND	2.78	2.55	2.32	ANT-433-PW-RA
	Permanent Mount Swivel Angle 1/4 Wave Whip	868	ANT-868-PW-RA-ND	2.78	2.55	2.32	ANT-868-PW-RA
	Permanent Mount Swivel Angle 1/4 Wave Whip	916	ANT-916-PW-RA-ND	2.78	2.55	2.32	ANT-916-PW-RA
13	1/2 Wave Whip Swivel RP-SMA	2.45/5.8GHz	ANT-DB1-RAF-RPS-ND	8.23	7.21	6.30	ANT-DB1-RAF-RPS
	Planar Antenna (SMT)	315	ANT-315-SP-ND	1.67	1.46	1.41	ANT-315-SP
	Planar Antenna (SMT)	418	ANT-418-SP-ND	1.67	1.46	1.41	ANT-418-SP
	Planar Antenna (SMT)	433	ANT-433-SP-ND	1.67	1.46	1.41	ANT-433-SP
	Planar Antenna (SMT)	458	ANT-458-SP-ND	1.68	1.55	1.41	ANT-458-SP
	Planar Antenna (SMT)	868	ANT-868-SP-ND	1.67	1.46	1.41	ANT-868-SP
14	1/4 Wave, JJB Permanent Ultra-Miniature, Straight	868	ANT-868-JJB-ST-ND	1.54	1.41	1.29	ANT-868-JJB-ST
	JJB Permanent Ultra-Miniature, Straight	916	ANT-916-JJB-ST-ND	1.54	1.41	1.29	ANT-916-JJB-ST
15	JJB Permanent Ultra-Miniature, Straight	2.45GHz	ANT-2.4-JJB-ST-ND	1.54	1.41	1.29	ANT-2.4-JJB-ST
	JJB Permanent Ultra-Miniature, Right Angle	868	ANT-868-JJB-RA-ND	1.54	1.41	1.29	ANT-868-JJB-RA
16	JJB Permanent Ultra-Miniature, Right Angle	916	ANT-916-JJB-RA-ND	1.54	1.41	1.29	ANT-916-JJB-RA
	JJB Permanent Ultra-Miniature, Right Angle	2.45GHz	ANT-2.4-JJB-RA-ND	1.54	1.41	1.29	ANT-2.4-JJB-RA
17	Ultra-Compact Chip Antenna	868	ANT-868-CHP-TCT-ND	2.23	2.04	1.75	ANT-868-CHP-T
	Ultra-Compact Chip Antenna	868	ANT-868-CHP-TTR-ND	5081.08/3,000			ANT-868-CHP-T
	Ultra-Compact Chip Antenna	916	ANT-916-CHP-TCT-ND	2.23	2.04	1.75	ANT-916-CHP-T
	Ultra-Compact Chip Antenna	916	ANT-916-CHP-TTR-ND	5081.08/3,000			ANT-916-CHP-T
18	Ultra-Compact Chip Antenna	2.45GHz	ANT-2.45-CHPCT-ND	1.14	1.04	1.01	ANT-2.45-CHP
	Ultra-Compact Chip Antenna	2.45GHz	ANT-2.45-CHPTR-ND	1289.75/1,500			ANT-2.45-CHP
19	Helical Through-Hole Antenna	315	ANT-315-HETH-ND	.64	.59	.54	ANT-315-HETH
	Helical Through-Hole Antenna	418	ANT-418-HETH-ND	.64	.59	.54	ANT-418-HETH
	Helical Through-Hole Antenna	433	ANT-433-HETH-ND	.64	.59	.54	ANT-433-HETH
	Helical Through-Hole Antenna	916	ANT-916-HETH-ND	.64	.59	.54	ANT-916-HETH
20	Helical SMA Antenna	315	ANT-315-HESM-ND	.64	.59	.54	ANT-315-HESM
	Helical SMA Antenna	418	ANT-418-HESM-ND	.64	.59	.54	ANT-418-HESM
21	1/4 Wave Whip Right Angle RP-SMA	315	ANT-315-CW-RAH-ND	5.96	5.47	4.97	ANT-315-CW-RAH
	1/4 Wave Whip Right Angle RP-SMA	418	ANT-418-CW-RAH-ND	5.96	5.47	4.97	ANT-418-CW-RAH
	1/4 Wave Whip Right Angle RP-SMA	433	ANT-433-CW-RAH-ND	5.96	5.47	4.97	ANT-433-CW-RAH
	1/4 Wave Whip Right Angle RP-SMA	868	ANT-868-CW-RAH-ND	5.96	5.47	4.97	ANT-868-CW-RAH
	1/4 Wave Whip Right Angle RP-SMA	916	ANT-916-CW-RAH-ND	5.96	5.47	4.97	ANT-916-CW-RAH
	1/4 Wave Whip Right Angle RP-SMA	2.45GHz	ANT-2.4-CW-RAH-RPS-ND	3.91	3.58	3.00	ANT-2.4-CW-RAH-RPS
22	1/4 Wave Whip Right Angle with SMA	2.45GHz	ANT-2.4-CW-RAH-SMA-ND	3.43	3.15	2.86	ANT-2.4-CW-RAH-SMA
	1/4 Wave Whip RP-SMA	315	ANT-315-CW-HW-ND	6.01	5.51	5.01	ANT-315-CW-HW
	1/4 Wave Whip RP-SMA	418	ANT-418-CW-HW-ND	6.01	5.51	5.01	ANT-418-CW-HW
	1/4 Wave Whip RP-SMA	433	ANT-433-CW-HW-ND	6.01	5.51	5.01	ANT-433-CW-HW
	1/2 Wave Whip RP-SMA	868	ANT-868-CW-HW-ND	6.80	6.22	5.01	ANT-868-CW-HW
	1/2 Wave Whip RP-SMA	916	ANT-916-CW-HW-ND	6.01	5.51	5.01	ANT-916-CW-HW
23	1/4 Wave Whip RP-SMA	315	ANT-315-CW-HWR-RPS-ND	7.06	6.48	5.89	ANT-315-CW-HWR-RPS
	1/4 Wave Whip RP-SMA	418	ANT-418-CW-HWR-RPS-ND	7.06	6.48	5.89	ANT-418-CW-HWR-RPS
	1/4 Wave Whip RP-SMA	433	ANT-433-CW-HWR-RPS-ND	7.06	6.48	5.89	ANT-433-CW-HWR-RPS
	1/2 Wave Whip RP-SMA	868	ANT-868-CW-HWR-RPS-ND	7.06	6.48	5.89	ANT-868-CW-HWR-RPS
	1/2 Wave Whip RP-SMA	916	ANT-916-CW-HWR-RPS-ND	7.06	6.48	5.89	ANT-916-CW-HWR-RPS
	1/4 Wave Whip SMA	1.4GHz	ANT-1.4-CW-HWR-RPS-ND	7.06	6.48	5.89	ANT-1.4-CW-HWR-RPS
24	1/4 Wave Whip SMA	315	ANT-315-CW-HWR-SMA-ND	7.06	6.48	5.89	ANT-315-CW-HWR-SMA
	1/4 Wave Whip SMA	418	ANT-418-CW-HWR-SMA-ND	7.06	6.48	5.89	ANT-418-CW-HWR-SMA
	1/4 Wave Whip SMA	433	ANT-433-CW-HWR-SMA-ND	7.06	6.48	5.89	ANT-433-CW-HWR-SMA



B

◆ RoHS Compliant * Cut Tape † Tape and Reel

(Continued)

Digi-Reel® Most SMT cutdown parts are available on a Digi-Reel®. For Digi-Reel part number, change 1-ND to 6-ND or CT-ND to DKR-ND. See Digi-Key® Services on page 2 for additional information.

Free shipping on orders over €65! All prices in euro and include duties. (EU2011-EN) 575